

Color management
MacAdam



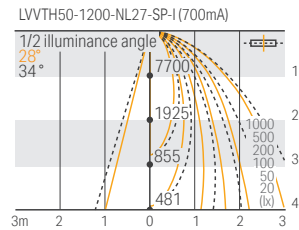
- For grazing light with spread lens 15° x 32° with High CRI LED
- 3 different brightness by choosing 350mA, 500mA or 700mA C.C driver
- Adjustable bracket and louver is available

Model No.

LVVTH50 - - **NL27** - **SP** - **I**

Product Name / LED pitch	Length	Light source color	Beam angle	Environment
LVVTH50 : 50mm pitch	0300 0600 0900 1200	NL27 : Natural white to Warm white 2700K	SP: 15° x 32.5°	I : Indoors

Light Intensity Refer to P.110



Specification

Length	0300			0600			0900			1200			
Model No.	LVVTH50-0300-NL27-SP-I			LVVTH50-0600-NL27-SP-I			LVVTH50-0900-NL27SP-I			LVVTH50-1200-NL27-SP-I			
Rated input current	700mA	500mA	350mA	700mA	500mA	350mA	700mA	500mA	350mA	700mA	500mA	350mA	
Power Consumption 2ch max(@typ)	12W	8W	6W	24W	17W	11W	35W	25W	17W	47W	33W	23W	
Power Consumption 1ch max(@typ)	6W	5W	3W	12W	9W	6W	18W	13W	9W	24W	17W	12W	
Fitting length (L)	300mm			600mm			900mm			1200mm			
Weight	180g			360g			540g			720g			
Luminaire efficacy(2700K)	82.7 lm/W@700mA			82.7 lm/W@700mA			82.7 lm/W@700mA			82.7 lm/W@700mA			
Light source color	○ = Device inventory * = Equivalent												
NL27 5000K~2700K	○	○	○	○	○	○	○	○	○	○	○	○	
Dimming rate													
N 100%, L27 0%	Ra90	620lm	474lm	332lm	1241lm	948lm	664lm	1861lm	1422lm	995lm	2481lm	1896lm	1327lm
N 100%, L27 100%	Ra92	1097lm	844lm	591lm	2193lm	1688lm	1182lm	3290lm	2533lm	1773lm	4386lm	3377lm	2364lm
N 0%, L27 100%	Ra92	496lm	381lm	267lm	992lm	762lm	534lm	1489lm	1143lm	800lm	1985lm	1525lm	1067lm

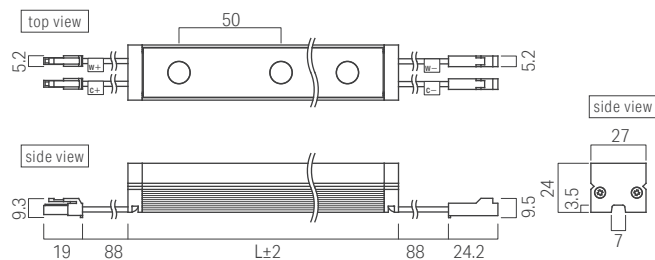
Specification may be subject to change without announcement. The optical data provided on the each product pages are for reference only; the data values are not guaranteed. Please use as reference materials for your planning.

General Specification

Input current	700mA	500mA	350mA
LED beam angle	15°x32.5°		
Environment	Indoors (no condensation)		
Max. length per run*	5.7m	8.4m	12m
Material (body)	Aluminum(black), Polycarbonate		
Attachments	1 Mounting fixture 2pcs		
Option parts	1 Mounting fixture 2 Adjustable mounting fixture 3 Fall prevention mounting fixture 4 Louver 5 Joint cable		
Certification	CE		
Dimmable	Yes (0-10V, DALI)		
Power Supplies	Constant current driver is required.		

* The connectable number of luminaires depends on the output voltage of the driver used. Check the instructions in the driver manual.

External dimensions

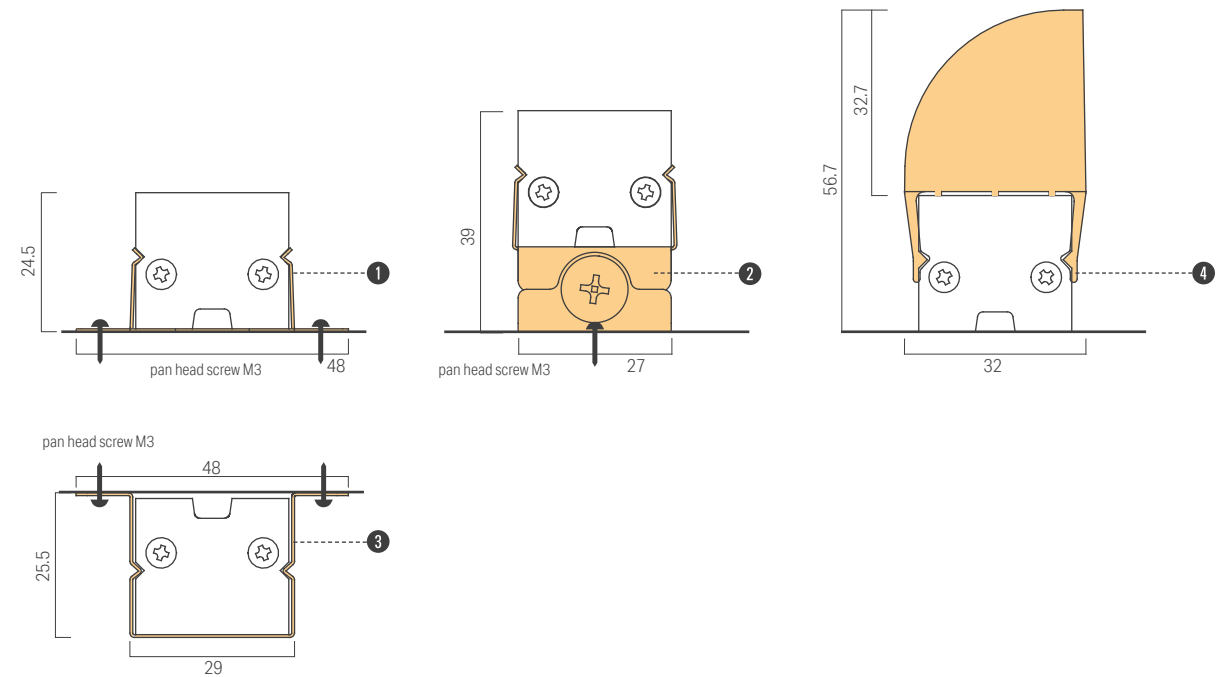


Min. and Max. length per run for Meanwell HVGC series

* A: ON/OFF, B: 0~10V dimming type

Rated current	Meanwell Model No.	Rated wattage	Constant current region	Connectable length range of LVVTH50
700mA	HVGC-65-700- * × 2pcs	65W	9-93V	0.6-2.4m
	HVGC-100-700- * × 2pcs	100W	15-142V	0.9-3.9m
	HVGC-150-700- * × 2pcs	150W	21-215V	1.2-5.7m
500mA	HVGC-65-500- * × 2pcs	65W	13-130V	0.9-3.6m
	HVGC-150-500- * × 2pcs	150W	30-300V	1.5-8.4m
350mA	HVGC-65-350- * × 2pcs	65W	18-186V	0.9-5.1m
	HVGC-100-350- * × 2pcs	100W	29-285V	1.5-8.1m
	HVGC-150-350- * × 2pcs	150W	42-428V	2.1-12.0m

Cross sectional view



Option parts

1 Mounting fixture for Vivoxy Graze **Attachment**

Model No : LVV-PT-A
Attached with LED fixture
2 pcs per LED fixture

For extra order
1 pc / bag

2 Adjustable mounting fixture for Vivoxy Graze

Model No : LVV-PT-B
1 pc/bag
2 pcs per LED fixture is recommended.

For tilting installation

3 Fall prevention mounting fixture for Vivoxy Graze

Model No : LVV-PT-C
1 pcs/1 bag
2 pcs per LED fixture is recommended.

For downward installation

5 Joint cable set 5M for Vivoxy Graze **Required**

Model No : CAD-5000-SETB-1
1 pc per circuit for connecting the LED fixture to power supply or dimmer driver.

Red : + , Black : -

4 Louver for Vivoxy Graze

Model No : LVV50-LV0150
150mm×2 pcs / set
1 set for each 300mm LED fixture.

A dedicated louver can be installed on Luci Vivoxy Graze. Direct glare in a parallel or vertical direction against the lighting apparatus can be prevented.

Glare cut off angle 50°
Glare cut off angle 60°

Indoor Rigid light LVVTH Vivoxy Graze Vivoxy Graze THOF® RECTIA THOF® Creidea® F / lens silux® K silux wide® K nano line