



only L22

Color management **MacAdam**

Color management **ANSI BIN**

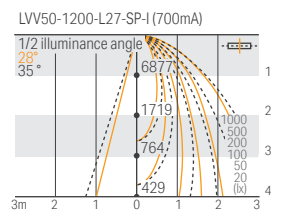
CE **3** years warranty

- For grazing light with spread lens 15° x 32° with High CRI LED
- 3 different brightness by choosing 350mA, 500mA or 700mA C.C driver
- Adjustable bracket and louver is available

Model No. **LVV50** - [] [] [] - [] - **SP** - **I**

| Product Name / LED pitch | Length | Light source color | Beam angle | Environment |
|--------------------------|------------------------------|---|-----------------|-------------|
| LVV50 : 50mm pitch | 0300 0600 0900 1200 | N : Natural white W : White WW : Warm white 3500K L30 : Warm white 3000K L27 : Warm white 2700K L22 : Warm white 2200K | SP: 15° x 32.5° | I : Indoors |

Light Intensity Refer to P.102



Specification

| Length | 0300 | | | 0600 | | | 0900 | | | 1200 | | |
|------------------------------|---------------------|-------|-------|---------------------|-------|-------|---------------------|-------|-------|---------------------|-------|-------|
| Model No. | LVV50-0300-[-]-SP-I | | | LVV50-0600-[-]-SP-I | | | LVV50-0900-[-]-SP-I | | | LVV50-1200-[-]-SP-I | | |
| Rated input current | 700mA | 500mA | 350mA | 700mA | 500mA | 350mA | 700mA | 500mA | 350mA | 700mA | 500mA | 350mA |
| Power consumption (Max.) | 12W | 8W | 6W | 24W | 17W | 11W | 35W | 25W | 17W | 47W | 33W | 23W |
| Power consumption (Max.) L22 | 13W | 9W | 6W | 26W | 18W | 12W | 38W | 27W | 18W | 51W | 36W | 24W |
| Fitting length(L) | 300mm | | | 600mm | | | 900mm | | | 1200mm | | |
| Weight | 180g | | | 360g | | | 540g | | | 720g | | |
| Luminaire efficacy(2700K) | 83.4 lm/W@700mA | | | 83.4 lm/W@700mA | | | 83.4 lm/W@700mA | | | 83.4 lm/W@700mA | | |

| Light source color | ○ = Device inventory * = Equivalent | | | ○ = Device inventory * = Equivalent | | | ○ = Device inventory * = Equivalent | | | ○ = Device inventory * = Equivalent | | |
|---------------------|-------------------------------------|-----------|-----------|-------------------------------------|------------|------------|-------------------------------------|------------|------------|-------------------------------------|-----------|-----------|
| Rated input current | 700mA | 500mA | 350mA | 700mA | 500mA | 350mA | 700mA | 500mA | 350mA | 700mA | 500mA | 350mA |
| D 7100K | - | - | - | - | - | - | - | - | - | - | - | - |
| N 5000K Ra90 | ○ 1258 lm* | ○ 942 lm* | ○ 677 lm* | ○ 2517 lm* | ○ 1884 lm* | ○ 1354 lm* | ○ 3775 lm* | ○ 2826 lm* | ○ 2031 lm* | ○ 5034 lm | ○ 3769 lm | ○ 2708 lm |
| W 4000K Ra92 | ○ 1244 lm* | ○ 941 lm* | ○ 670 lm* | ○ 2489 lm* | ○ 1881 lm* | ○ 1339 lm* | ○ 3733 lm* | ○ 2822 lm* | ○ 2009 lm* | ○ 4977 lm | ○ 3762 lm | ○ 2678 lm |
| WW 3500K Ra92 | ○ 1163 lm* | ○ 871 lm* | ○ 626 lm* | ○ 2326 lm* | ○ 1741 lm* | ○ 1252 lm* | ○ 3489 lm* | ○ 2612 lm* | ○ 1877 lm* | ○ 4652 lm | ○ 3483 lm | ○ 2503 lm |
| L30 3000K Ra92 | ○ 1046 lm* | ○ 783 lm* | ○ 563 lm* | ○ 2091 lm* | ○ 1566 lm* | ○ 1125 lm* | ○ 3137 lm* | ○ 2348 lm* | ○ 1688 lm* | ○ 4183 lm | ○ 3131 lm | ○ 2251 lm |
| L27 2700K Ra94 | ○ 980 lm* | ○ 734 lm* | ○ 528 lm* | ○ 1961 lm* | ○ 1468 lm* | ○ 1055 lm* | ○ 2941 lm* | ○ 2202 lm* | ○ 1583 lm* | ○ 3921 lm | ○ 2936 lm | ○ 2110 lm |
| L22 2200K Ra 82 | ○ 802 lm* | ○ 600 lm* | ○ 432 lm* | ○ 1604 lm* | ○ 1201 lm* | ○ 863 lm* | ○ 2406 lm* | ○ 1801 lm* | ○ 1295 lm* | ○ 3208 lm | ○ 2402 lm | ○ 1726 lm |
| L19 1900K | - | - | - | - | - | - | - | - | - | - | - | - |

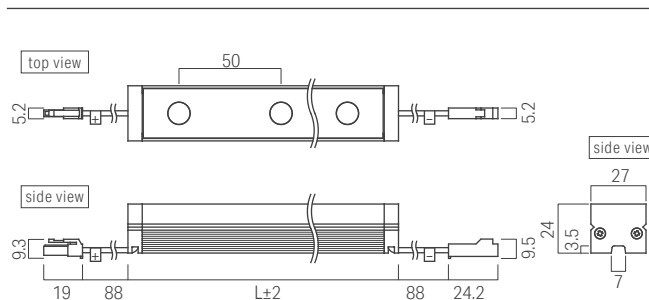
Specification may be subject to change without announcement. The optical data provided on the each product pages are for reference only; the data values are not guaranteed. Please use as reference materials for your planning.

General Specification

| | | | |
|----------------------|--|------------------|----------------|
| Input current | 700mA | 500mA | 350mA |
| LED beam angle | 15°x32.5° | | |
| Environment | Indoors (no condensation) | | |
| Max. length per run* | 2.7m (L22: 2.4m) | 4.2m (L22: 3.6m) | 6m (L22: 5.4m) |
| Material (body) | Aluminum(black), Polycarbonate | | |
| Attachments | ① Mounting fixture 2pcs | | |
| Option parts | ① Mounting fixture ② Adjustable mounting fixture ③ Fall prevention mounting fixture ④ Louver ⑤ Joint cable | | |
| Certification | CE | | |
| Dimmable | Yes (0-10V, DALI) | | |
| Power Supplies | Constant current driver is required. | | |

* The connectable number of luminaires depends on the output voltage of the driver used. Check the instructions in the driver manual.

External dimensions

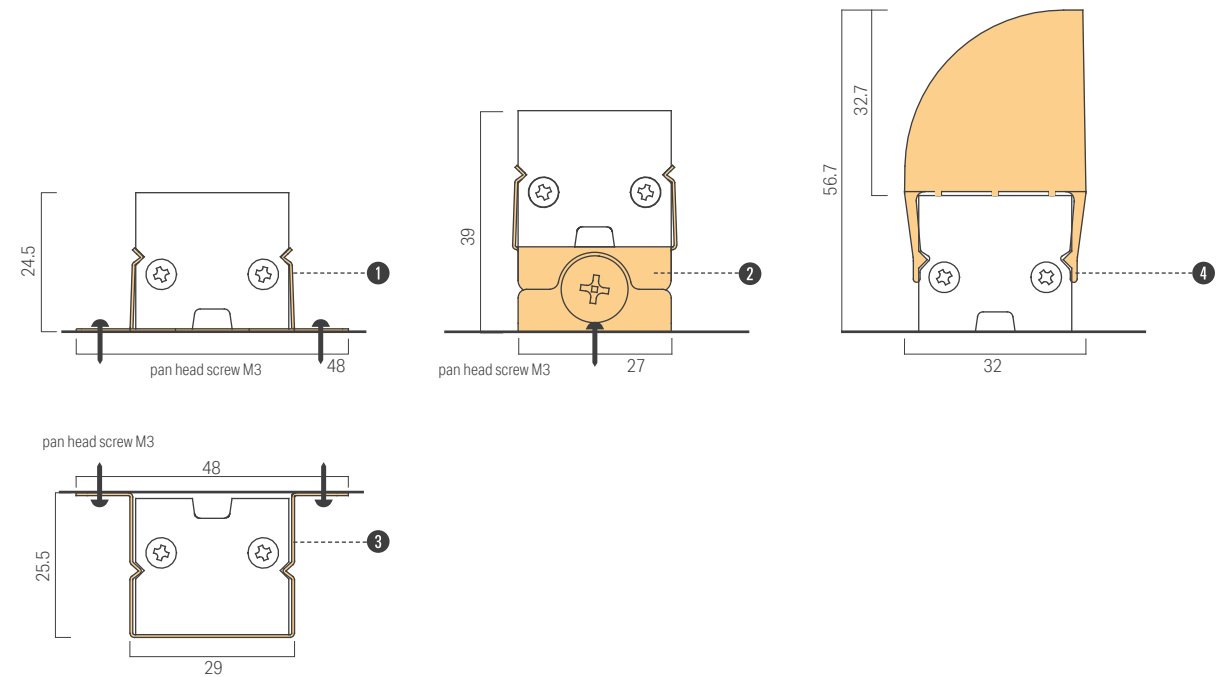


Min. and Max. length per run for Meanwell HVGC series

* A:ON/OFF, B:0-10V dimming type

| Rated current | Meanwell Model No. | Rated wattage | Constant current region | Connectable length range of LVV50 |
|---------------|--------------------|---------------|-------------------------|-----------------------------------|
| 700mA | HVGC-65-700-* | 65W | 9-93V | 0.3-1.2m (L22: 0.3-0.9m) |
| | HVGC-100-700-* | 100W | 15-142V | 0.6-1.8m (L22: 0.6-1.5m) |
| | HVGC-150-700-* | 150W | 21-215V | 0.6-2.7m (L22: 0.6-2.4m) |
| 500mA | HVGC-65-500-* | 65W | 13-130V | 0.6-1.8m (L22: 0.3-1.5m) |
| | HVGC-150-500-* | 150W | 30-300V | 0.9-4.2m (L22: 0.9-3.6m) |
| 350mA | HVGC-65-350-* | 65W | 18-186V | 0.6-2.4m (L22: 0.6-2.1m) |
| | HVGC-100-350-* | 100W | 29-285V | 0.9-3.9m (L22: 0.9-3.6m) |
| | HVGC-150-350-* | 150W | 42-428V | 1.2-6.0m (L22: 1.2-5.4m) |

Cross sectional view



Option parts

1 Mounting fixture for Vivoxy Graze **Attachment**

Model No : LVV-PT-A
Attached with LED fixture
2 pcs per LED fixture

For extra order
1 pc / bag

2 Adjustable mounting fixture for Vivoxy Graze

Model No : LVV-PT-B
1 pc/bag
2 pcs per LED fixture is recommended.

For tilting installation

3 Fall prevention mounting fixture for Vivoxy Graze

Model No : LVV-PT-C
1 pcs/1 bag
2 pcs per LED fixture is recommended.

For downward installation

5 Joint cable set 5M for Vivoxy Graze **Required**

Model No : CAD-5000-SETB-1
1 pc per circuit for connecting the LED fixture to power supply or dimmer driver.

Red : + , Black : -

4 Louver for Vivoxy Graze

Model No : LVV50-LV0150
150mmx2 pcs / set
1 set for each 300mm LED fixture.

A dedicated louver can be installed on Luci Vivoxy Graze. Direct glare in a parallel or vertical direction against the lighting apparatus can be prevented.

Indoor Rigid light LVV Vivoxy Graze Vivoxy Graze TH0F® REC1A TH0F® Creide® F / lens silux® K silux wide® K nano line