



Color management
MacAdam 3 step



- Updated with low wattage high lumen LED series, increased 150% efficacy
- Tunable white rigid light with 3 wattage variation
- No dark spot seamless connections, 3 surface-emitting
- Available for customising colour combination

Model No.

LTHY - [] [] [] [] - [] Higher CCT [] Lower CCT - DF - I - []

Product Name	Length	Light source color	Cover Type	Environment	Wattage
LTHY	0103 0907 0206 1003 0307 1106 0407 1204 0503 1306 0604 1407 0705 1502 0806	Select 2 CCTs D : 6500K N : 5000K W : 4000K WW : 3500K L30 : 3000K L27 : 2700K L25 : 2500K L22 : 2200K L20 : 2000K	DF : Diffuser	I : Indoor	10 : 10.1 W/m 21 : 21.5 W/m 31 : 31.6 W/m

Specification

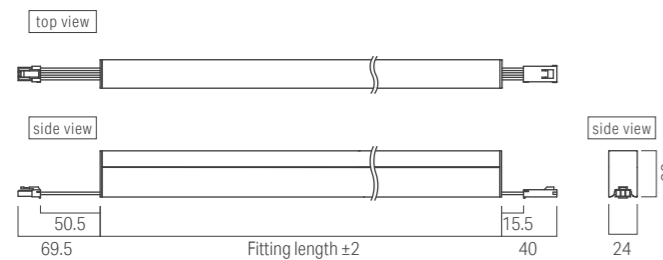
Length	Fitting length	Weight	Wattage		
			10.1 W/m	21.5 W/m	31.6 W/m
0103	103 mm	60 g	1.0 W	2.1 W	3.2 W
0206	206 mm	100 g	2.0 W	4.3 W	6.3 W
0307	306 mm	140 g	3.0 W	6.4 W	9.5 W
0407	407 mm	180 g	4.0 W	8.6 W	12.7 W
0503	503 mm	220 g	5.0 W	10.7 W	15.8 W
0604	604 mm	260 g	6.0 W	12.9 W	19.0 W
0705	705 mm	300 g	7.1 W	15.0 W	22.1 W
0806	806 mm	340 g	8.1 W	17.2 W	25.3 W
0907	907 mm	380 g	9.1 W	19.3 W	28.5 W
1003	1003 mm	420 g	10.1 W	21.5 W	31.6 W
1106	1106 mm	460 g	11.1 W	23.6 W	34.8 W
1204	1204 mm	500 g	12.1 W	25.8 W	38.0 W
1306	1306 mm	540 g	13.1 W	27.9 W	41.1 W
1407	1407 mm	580 g	14.1 W	30.1 W	44.3 W
1502	1502 mm	620 g	15.1 W	32.2 W	47.5 W

Specification may be subject to change without announcement. The optical data provided on the each product pages are for reference only; the data values are not guaranteed. Please use as reference materials for your planning.

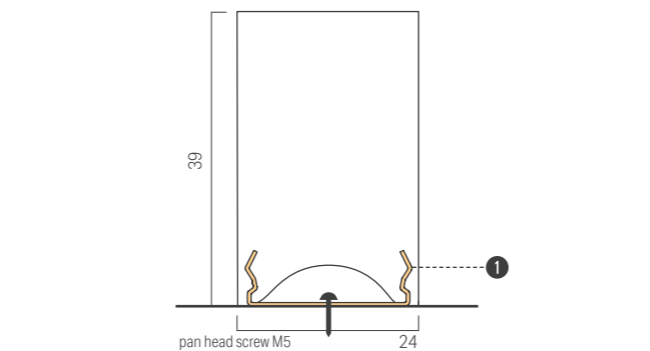
General Specification

Input voltage	DC24V
Environment	Indoors (no condensation)
Max. length per circuit	10.1W/m 21.5W/m : 5m 31.6W/m : 3m
Material	Body : Aluminum , Cover : Polycarbonate
Attachments	① Mounting parts 2pcs
Accessories	① Mounting parts ② Power supply cable
Certification	CE, PTB FREE
Dimmable	Yes (Tunable white driver is required)

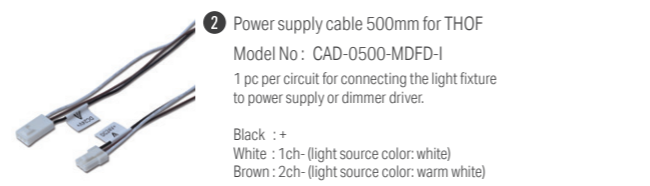
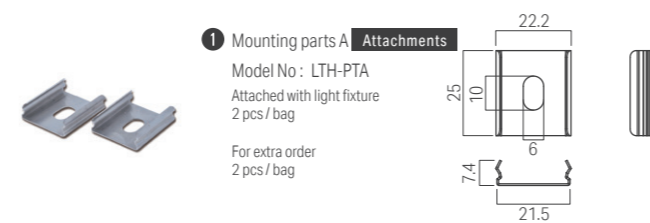
External dimensions



Cross sectional view with accessories



Accessories



Max. connectable length per PSU

Length of light fixture (70% loading factor) During dimmer use *: split into multiple circuits			PSU
10.1 W/m	21.5 W/m	31.6 W/m	
~3.5m	~1.6m	~1.1m	50W
~6.9m*	~3.3m	~2.2m	100W
~10.4m*	~4.9m	~3.3m	150W

CRI and luminous flux data for each CCT combination

Light source color	Inventory	Ratio of output	CRI	10.1W/m		21.5W/m		31.6W/m	
				lm/m	lm/W	lm/m	lm/W	lm/m	lm/W
D N	*	100% 0%	94	658	1389	129.8	2765	128.6	1979
D W	*	100% 0%	95	658	1389	128.6	2740	127.5	1979
D WW	*	100% 0%	96	658	1389	128.1	2728	126.9	1979
D L30	*	100% 0%	94	658	1389	126.3	2691	125.2	1979
D L27	○	100% 0%	94	658	1389	122.9	2618	121.7	1979
D L25	*	100% 0%	94	658	1389	107.9	2298	106.9	1979
D L22	*	100% 0%	93	658	1389	105	2237	104	1979
D L20	○	100% 0%	92	658	1389	101.5	2163	100.6	1979
N W	*	100% 0%	95	653	1376	128.1	2728	126.9	1961
N WW	*	100% 0%	96	653	1376	127.5	2716	126.3	1961
N L30	*	100% 0%	94	653	1376	125.7	2679	124.6	1961
N L27	○	100% 0%	92	653	1376	122.3	2605	121.2	1961
N L25	*	100% 0%	94	653	1376	107.3	2286	106.3	1961
N L22	*	100% 0%	93	653	1376	104.4	2224	103.5	1961
N L20	○	100% 0%	92	653	1376	100.9	2151	100	1961
W WW	*	100% 0%	96	641	1352	126.3	2691	125.2	1926
W L30	*	100% 0%	94	641	1352	124.6	2654	123.5	1926
W L27	*	100% 0%	95	641	1352	121.1	2581	120	1926
W L25	*	100% 0%	95	641	1352	100.2	2261	105.2	1926
W L22	*	100% 0%	95	641	1352	97.5	2200	102.3	1926
W L20	*	100% 0%	95	641	1352	94.2	2126	98.9	1926

○ = Device inventory
* = Please contact us since it is made-to-order products.

○ = Device inventory
* = Please contact us since it is made-to-order products.