

Indoor  
Rigid light

# LTHY Luci SHIN THOF®

NEW

**SHIN** series



Luci SHIN THOF®

# LTHY SHIN series **NEW**



Medical Corporation Showa-kai Hokkaido Gastroenterology Hospital  
Location: JAPAN  
Lighting Design: DESIGN Lab. +Ca



KOHNAN SHOJI CO., LTD  
Location: Japan

Tunable white rigid light with 3 wattage variation  
 No dark spot seamless connections, 3 surface-emitting  
 Available for customising colour combination

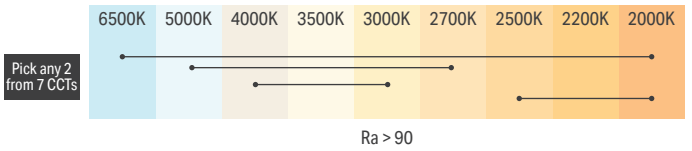
## Specifications

### Dimensions

Cross section W 24 x H 39 mm  
 Standard length 15 types of fixed length

1502	1407	1306	1204	1106	1003
907	806	705	604	503	407
306	205	103	(mm)		

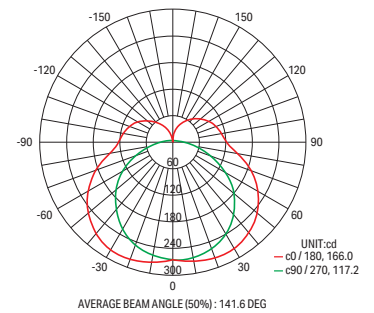
### Color temperature



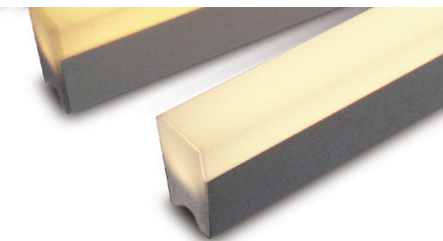
### Electrical & Output @5000K 100%, 2700K 100%

	LTH			SHIN series LTHY			Efficacy Improvement
	W/m	lm/m	lm/W	W/m	lm/m	lm/W	
				10.1 W/m	1235 lm/m	122.5 lm/W	
5000K 100%, 2700K 100%	31.2 W/m	2371 lm/m	76 lm/W	21.5 W/m	2605 lm/m	121.2 lm/W	159%
5000K 100%, 2700K 0%					1376 lm/m		
5000K 0%, 2700K 100%					1229 lm/m		
				31.6 W/m	3712 lm/m	117.3 lm/W	

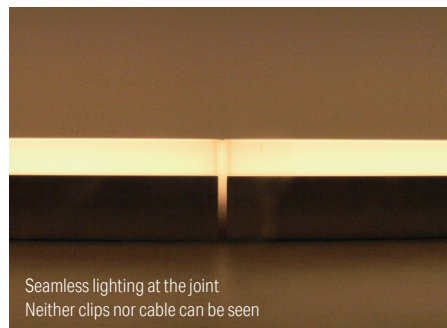
### Light distribution



## Features



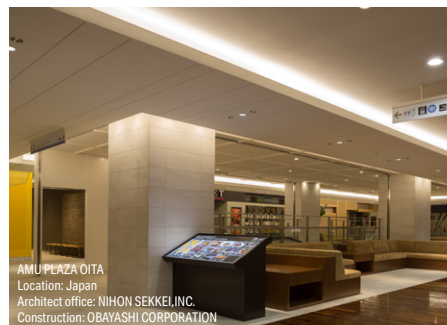
Squared section with uniform and homogenous  
 3 side emitted surface



Seamless lighting at the joint  
 Neither clips nor cable can be seen

### Commercial building

Recommended CCT range  
 N:5000K - L27: 2700K



### Mirror Light

Recommended CCT range  
 N:5000K - L27: 2700K

Enable to light face and avoid shadows when  
 applying makeup. Skin and clothing can be  
 checked on how they look during the day, in  
 the evening, or in a dark room.



# LTHY **SHIN** series NEW



Color management  
MacAdam 3 step



- Updated with low wattage high lumen LED series, increased 150% efficacy
- Tunable white rigid light with 3 wattage variation
- No dark spot seamless connections, 3 surface-emitting
- Available for customising colour combination

Model No.

**LTHY** -     -  Higher CCT  Lower CCT - **DF** - **I** -

Product Name	Length	Light source color	Cover Type	Environment	Wattage
LTHY	0103 0907 0206 1003 0307 1106 0407 1204 0503 1306 0604 1407 0705 1502 0806	Select 2 CCTs D : 6500K N : 5000K W : 4000K WW : 3500K L30 : 3000K L27 : 2700K L25 : 2500K L22 : 2200K L20 : 2000K	DF : Diffuser	I : Indoor	10 : 10.1 W/m 21 : 21.5 W/m 31 : 31.6 W/m

Specification

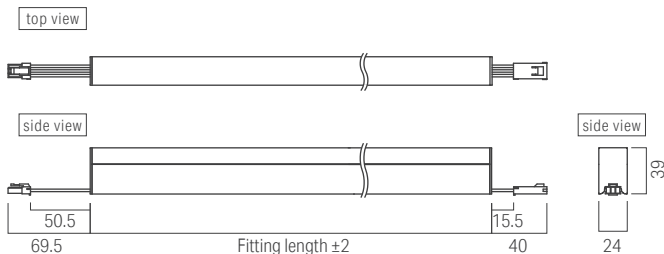
Length	Fitting length	Weight	Wattage		
			10.1 W/m	21.5 W/m	31.6 W/m
0103	103 mm	60 g	1.0 W	2.1W	3.2W
0206	206 mm	100 g	2.0 W	4.3W	6.3W
0307	306 mm	140 g	3.0W	6.4W	9.5W
0407	407 mm	180 g	4.0 W	8.6W	12.7W
0503	503 mm	220 g	5.0 W	10.7W	15.8W
0604	604 mm	260 g	6.0 W	12.9W	19.0W
0705	705 mm	300 g	7.1 W	15.0W	22.1W
0806	806 mm	340 g	8.1 W	17.2W	25.3W
0907	907 mm	380 g	9.1 W	19.3W	28.5W
1003	1003 mm	420 g	10.1 W	21.5W	31.6W
1106	1106 mm	460 g	11.1 W	23.6W	34.8W
1204	1204 mm	500 g	12.1 W	25.8W	38.0W
1306	1306 mm	540 g	13.1 W	27.9W	41.1W
1407	1407 mm	580 g	14.1 W	30.1W	44.3W
1502	1502 mm	620 g	15.1 W	32.2W	47.5W

Specification may be subject to change without announcement.  
The optical data provided on the each product pages are for reference only; the data values are not guaranteed. Please use as reference materials for your planning.

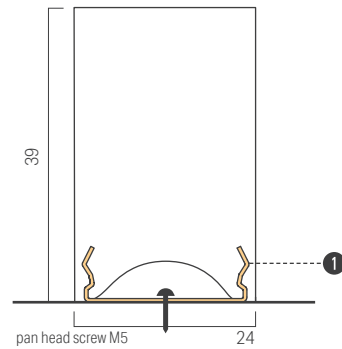
General Specification

Input voltage	DC24V
Environment	Indoors (no condensation)
Max. length per circuit	10.1W/m 21.5W/m : 5m 31.6W/m : 3m
Material	Body : Aluminum , Cover : Polycarbonate
Attachments	1 Mounting parts 2pcs
Accessories	1 Mounting parts 2 Power supply cable
Certification	CE, PTB FREE
Dimmable	Yes (Tunable white driver is required)

External dimensions



Cross sectional view with accessories



Accessories

**1** Mounting parts A **Attachments**  
Model No : LTH-PTA  
Attached with light fixture  
2 pcs / bag  
For extra order  
2 pcs / bag

**2** Power supply cable 500mm for THOF  
Model No : CAD-0500-MDFD-I  
1 pc per circuit for connecting the light fixture to power supply or dimmer driver.  
Black : +  
White : 1ch- (light source color: white)  
Brown : 2ch- (light source color: warm white)

Max. connectable length per PSU

Length of light fixture (70% loading factor) During dimmer use *: split into multiple circuits			PSU	
10.1 W/m	21.5 W/m	31.6 W/m	50W	
~3.5m	~1.6m	~1.1m		
~6.9m*	~3.3m	~2.2m		100W
~10.4m*	~4.9m	~3.3m		150W

CRI and luminous flux data for each CCT combination

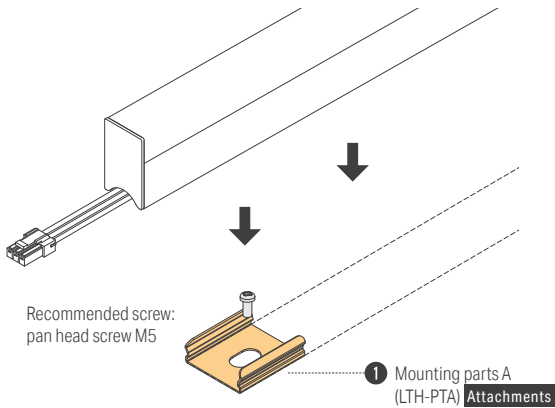
Light source color	Inventory	Ratio of output		CRI	10.1W/m		21.5W/m		31.6W/m	
		100%	0%		lm/m	lm/W	lm/m	lm/W	lm/m	lm/W
D N	*	D 100%	N 0%	94	658	1389	1979			
		100%	100%	92	1311	2765	3940	129.8	128.6	
		0%	100%	93	653	1376	1961			
D W	*	D 100%	W 0%	94	658	1389	1979			
		100%	100%	95	1299	2740	3905	128.6	127.5	123.6
		0%	100%	95	641	1352	1926			
D WW	*	D 100%	WW 0%	94	658	1389	1979			
		100%	100%	96	1293	2728	3887	128.1	126.9	123
		0%	100%	95	635	1340	1909			
D L30	*	D 100%	L30 0%	94	658	1389	1979			
		100%	100%	94	1276	2691	3835	126.3	125.2	121.3
		0%	100%	96	618	1303	1856			
D L27	○	D 100%	L27 0%	94	658	1389	1979			
		100%	100%	94	1241	2618	3730	122.9	121.7	118
		0%	100%	96	583	1229	1751			
D L25	*	D 100%	L25 0%	94	658	1389	1979			
		100%	100%	94	1089	2298	3274	107.9	106.9	103.6
		0%	100%	96	431	909	1296			
D L22	*	D 100%	L22 0%	94	658	1389	1979			
		100%	100%	93	1060	2237	3187	105	104	100.8
		0%	100%	96	402	848	1208			
D L20	○	D 100%	L20 0%	94	658	1389	1979			
		100%	100%	92	1025	2163	3082	101.5	100.6	97.5
		0%	100%	95	367	774	1103			
N W	*	N 100%	W 0%	92	653	1376	1961			
		100%	100%	95	1293	2728	3887	128.1	126.9	123
		0%	100%	93	641	1352	1926			
N WW	*	N 100%	WW 0%	92	653	1376	1961			
		100%	100%	96	1288	2716	3870	127.5	126.3	122.5
		0%	100%	93	635	1340	1909			
N L30	*	N 100%	L30 0%	92	653	1376	1961			
		100%	100%	94	1270	2679	3817	125.7	124.6	120.8
		0%	100%	94	618	1303	1856			
N L27	○	N 100%	L27 0%	92	653	1376	1961			
		100%	100%	94	1235	2605	3712	122.3	121.2	117.5
		0%	100%	95	583	1229	1751			
N L25	*	N 100%	L25 0%	92	653	1376	1961			
		100%	100%	94	1084	2286	3257	107.3	106.3	103.1
		0%	100%	95	431	909	1296			
N L22	*	N 100%	L22 0%	92	653	1376	1961			
		100%	100%	93	1055	2224	3169	104.4	103.5	100.3
		0%	100%	96	402	848	1208			
N L20	○	N 100%	L20 0%	92	653	1376	1961			
		100%	100%	92	1020	2151	3064	100.9	100	97
		0%	100%	97	367	774	1103			
W WW	*	W 100%	WW 0%	95	641	1352	1926			
		100%	100%	96	1276	2691	3835	126.3	125.2	121.3
		0%	100%	95	635	1340	1909			
W L30	*	W 100%	L30 0%	95	641	1352	1926			
		100%	100%	94	1258	2654	3782	124.6	123.5	119.7
		0%	100%	95	618	1303	1856			
W L27	*	W 100%	L27 0%	95	641	1352	1926			
		100%	100%	94	1223	2581	3677	121.1	120	116.4
		0%	100%	96	583	1229	1751			
W L25	*	W 100%	L25 0%	95	641	1352	1926			
		100%	100%	94	1072	2261	3222	100.2	105.2	102
		0%	100%	96	431	909	1296			
W L22	*	W 100%	L22 0%	95	641	1352	1926			
		100%	100%	93	1043	2200	3134	97.5	102.3	99.2
		0%	100%	97	402	848	1208			
W L20	*	W 100%	L20 0%	95	641	1352	1926			
		100%	100%	92	1008	2126	3029	94.2	98.9	95.9
		0%	100%	96	367	774	1103			
WW L30	*	WW 100%	L30 0%	96	635	1340	1909			
		100%	100%	94	1253	2653	3782	117.1	113.8	111.9
		0%	100%	95	618	1303	1856			
WW L27	*	WW 100%	L27 0%	96	635	1340	1909			
		100%	100%	94	1218	2568	3659	113.8	111.9	115.8
		0%	100%	95	583	1229	1751			
WW L25	*	WW 100%	L25 0%	96	635	1340	1909			
		100%	100%	94	1066	2249	3204	99.6	104.6	101.4
		0%	100%	96	431	909	1296			
WW L22	*	WW 100%	L22 0%	96	635	1340	1909			
		100%	100%	93	1037	2187	3117	96.9	101.7	98.6
		0%	100%	96	402	848	1208			
WW L20	*	WW 100%	L20 0%	96	635	1340	1909			
		100%	100%	92	1002	2114	3012	93.7	98.3	95.3
		0%	100%	95	367	774	1103			
L30 L27	*	L30 100%	L27 0%	94	618	1303	1856			
		100%	100%	94	1200	2532	3607	112.2	117.7	114.1
		0%	100%	94	583	1229	1751			
L30 L25	*	L30 100%	L25 0%	94	618	1303	1856			
		100%	100%	94	1049	2212	3152	98	102.9	99.7
		0%	100%	94	431	909	1296			
L30 L22	*	L30 100%	L22 0%	94	618	1303	1856			
		100%	100%	93	1020	2151	3064	95.3	100	97
		0%	100%	94	402	848	1208			
L30 L20	*	L30 100%	L20 0%	94	618	1303	1856			
		100%	100%	92	985	2077	2959	92	96.6	93.6
		0%	100%	95	367	774	1103			
L27 L25	*	L27 100%	L25 0%	94	583	1229	1751			
		100%	100%	94	1014	2138	3047	94.7	99.5	96.4
		0%	100%	94	431	909	1296			
L27 L22	*	L27 100%	L22 0%	94	583	1229	1751			
		100%	100%	93	985	2077	2959	92	96.6	93.6
		0%	100%	94	402	848	1208			
L27 L20	*	L27 100%	L20 0%	94	583	1229	1751			
		100%	100%	92	950	2003	2854	88.8	93.2	90.3
		0%	100%	94	402	848	1208			
L25 L22	*	L25 100%	L22 0%	94	431	909	1296			
		100%	100%	93	833	1757	2504	77.9	81.7	79.2
		0%	100%	94	402	848	1208			
L25 L20	*	L25 100%	L20 0%	94	431	909	1296			
		100%	100%	92	798	1684	2399	74.6	78.3	75.9
		0%	100%	94	367	774	1103			
L22 L20	*	L22 100%	L20 0%	93	402	848	1208			
		100%	100%	92	769	1622	2311	71.9	75.4	73.1
		0%	100%	93	367	774	1103			

○ = Device inventory  
 \* = Please contact us since it is made-to-order products.

○ = Device inventory  
 \* = Please contact us since it is made-to-order products.

## Installing the product

### For horizontal installation

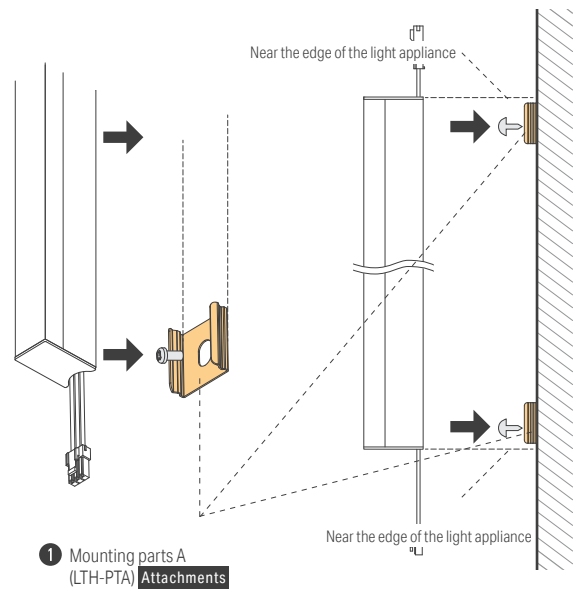


Length	0103-1003	1106-1407	1502	
Attachments				
Mounting clip	2 pcs	3 pcs	4 pcs	Unit of order
1 Mounting clip	2 pcs	3 pcs	4 pcs	2 pcs/bag

### ⚠ Cautions

- Do not recess the light fixture on the wall without any clearance or heat dissipation for releasing the heat of the Light fixture.
- To avoid the mounting parts being deformed, DO NOT over-screw the screws, use countersunk screw and install the light fixture forcefully when the mounting parts are misaligned. When using deformed Mounting parts, the light fixture may drop from the Mounting parts. Make sure the light fixture is fixed tightly after installation.

### For vertical installation



## Illuminance data



### LTHY Luci SHIN THOF

Color temperature

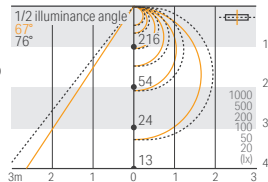
6500K-2000K

### Direct horizontal surface light intensity distribution chart

#### LTHY-1000-NL27-DF-I-10

Light source color 3500K equivalent  
N:100%, L27:100%

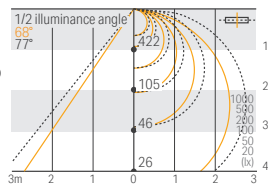
Brightness 216 cd  
Luminous flux 1235 lm  
Color rendering index Ra 95



#### LTHY-1000-NL27-DF-I-21

Light source color 3500K equivalent  
N:100%, L27:100%

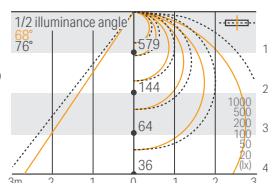
Brightness 422 cd  
Luminous flux 2605 lm  
Color rendering index Ra 95



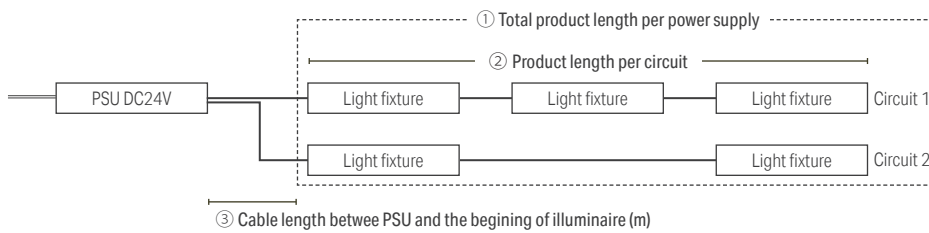
#### LTHY-1000-NL27-DF-I-31

Light source color 3500K equivalent  
N:100%, L27:100%

Brightness 278 cd  
Luminous flux 3712 lm  
Color rendering index Ra 95



System configuration diagram



- ① Total product length per PSU depends on capacity of the PSU. Recommended loading factor is 70% (without dimming) or 60% (with dimming).
- ② Product length per circuit shall not exceed maximum product length per circuit. If the product length per circuit exceeds the maximum, split into multiple circuits.
- ③ To minimize voltage drop, select appropriate wire gauge / diameter and consider the cable length between PSU and the beginning of luminaire referring to the following table. If longer cable distances are required, use thicker wires or reduce the loading of the light fixtures in the circuit.

① Max. connectable length per PSU

Length of light fixture (70% loading factor) During dimmer use *: split into multiple circuits			PSU
10.1 W/m	21.5 W/m	31.6 W/m	
~3.5m	~1.6m	~1.1m	50W
~6.9m*	~3.3m	~2.2m	100W
~10.4m*	~4.9m	~3.3m	150W

Model No.	Wattage	② Max length per circuit	③ Max cable length between PSU and the top of luminaire at ② Max length per circuit			
			Cross section	0.3 sq	0.5 sq	0.75 sq
LTHY-*-DF-I-10	10.1 W/m	5 m	Wire gauze	AWG 22	AWG 20	AWG 18
LTHY-*-DF-I-21	21.5 W/m	5 m		1.5 m	2.4 m	3.8 m
LTHY-*-DF-I-31	31.6 W/m	3 m		1.7 m	2.8 m	4.4 m

Luci original dynamic white dimmer controller

PWM Light Controller for THOF (LLC-PLC-T)

2 channel mode: switching channel by pressing the knob for dimming each separately  
Dim-to-warm mode: rotating knob to change CCT and brightness at the same time.



Input voltage DC12~24V  
Input current Max.5A  
Output current Max.5A  
Size W70\*H120\*D42 mm  
Usage environment Indoors

Multi Controller Switch for THOF (LLC-MFC-SWC)

Switch for calling a preset scene in LLC-MFC-11 and manual slider for dimming.



Input voltage DC12~24V  
Input current Max.100mA  
Output current Max.5A  
Size W70\*H120\*D40 mm  
Usage environment Indoors

Use these together

Multi Controller (LLC-MFC-11)



Input voltage DC12~24V  
Input current  
Output current 1A max/CH  
Size W232.5\*H124\*D33.5mm  
Usage environment Indoors

Luci original dynamic white dimmer driver

PWM Dimming driver 5A for THOF (LLC-PWM5A-T)

Dimmer driver for LLC-PLC-T and LLC-MFC-10 (dimming protocol: PWM)



Input voltage DC12~24V  
Input current Max. 5A  
Output current Max.5A  
Size W130\*H75\*D27 mm  
Usage environment Indoors

0-10V dynamic white dimmer driver

2ch 0-10V dimmer driver (DIM-S2L8V-O) EUCHIPS



Input voltage DC12~24V  
Output current 8A/2CH(for Brightness mode)  
Totally 8A(for CCT mode)  
Size W167\*H51\*D23mm  
Usage environment Indoors

\*Dimmers and controllers from other manufacturers can be used with these Light fixtures. For more information, please contact our sales.