

# Luci silux® K LSXK

Color management  
MacAdam 3 step



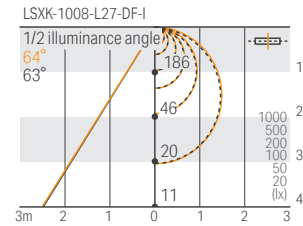
3 years warranty

- Homogeneous rigid light with a square shape
- 3 different wattage, 10 types of length
- Ideal for shelf/cove light and recessed direct view light on ceiling/wall

Model No.

| <b>LSXK</b>  | -   | □□□□  | -             | □           | -  | <b>DF</b> | - | <b>I</b> | - | □ |
|--------------|---|---|---------------|-------------|--|-----------|---|----------|---|---|
| Product Name | Length  | Light source color  | Cover Type    | Environment | Wattage                                  |           |   |          |   |   |
| LSXK         | 0074 0702<br>0259 0823<br>0388 1008<br>0509 1137<br>0573 1451 | N : Natural white<br>W : White<br>WW : Warm white 3500K<br>L30 : Warm white 3000K<br>L27 : Warm white 2700K<br>L24 : Warm white 2400K<br>L21 : Warm white 2100K | DF : Diffuser | I : Indoor  | 13 : 13.3W/m<br>8 : 8.1W/m<br>4 : 4.3W/m |           |   |          |   |   |

Light Intensity Refer to P.141



## Specification

| Length            | 0074   | 0259   | 0388    | 0509    | 0573    |
|-------------------|--------|--------|---------|---------|---------|
| Fitting length(L) | 74 mm  | 259 mm | 388 mm  | 509 mm  | 573 mm  |
| Weight            | 15 g   | 40 g   | 59 g    | 76 g    | 84 g    |
| Length            | 0702   | 0823   | 1008    | 1137    | 1451    |
| Fitting length(L) | 702 mm | 823 mm | 1008 mm | 1137 mm | 1451 mm |
| Weight            | 110 g  | 120 g  | 145 g   | 160 g   | 206 g   |

## 13.3 W/m series

| Model No.          | LSXK-0074-□-DF-I-13 | LSXK-0259-□-DF-I-13 | LSXK-0388-□-DF-I-13 | LSXK-0509-□-DF-I-13 | LSXK-0573-□-DF-I-13 |                |                |
|--------------------|---------------------|---------------------|---------------------|---------------------|---------------------|----------------|----------------|
| Power consumption  | 0.7 W               | 3.3 W               | 5.2 W               | 6.6 W               | 7.6 W               |                |                |
| Model No.          | LSXK-0702-□-DF-I-13 | LSXK-0823-□-DF-I-13 | LSXK-1008-□-DF-I-13 | LSXK-1137-□-DF-I-13 | LSXK-1451-□-DF-I-13 |                |                |
| Power consumption  | 9.5 W               | 10.9 W              | 13.3 W              | 15.2 W              | 19.5 W              |                |                |
| Light source color | N 5000K             | W 4000K             | WW 3500K            | L30 3000K           | L27 2700K           | L24 2400K      | L21 2100K      |
| @1008mm            | Ra 93 ○ 620 lm      | Ra 94 ○ 620 lm      | Ra 94 ○ 594 lm      | Ra 93 ○ 581 lm      | Ra 93 ○ 554 lm      | Ra 94 ○ 515 lm | Ra 90 ○ 515 lm |
| Luminaire efficacy | 57.9 lm/W           | 57.9 lm/W           | 55.5 lm/W           | 54.2 lm/W           | 51.8 lm/W           | 48.1 lm/W      | 45.1 lm/W      |

## 8.1 W/m series

| Model No.          | LSXK-0074-□-DF-I-8 | LSXK-0259-□-DF-I-8 | LSXK-0388-□-DF-I-8 | LSXK-0509-□-DF-I-8 | LSXK-0573-□-DF-I-8 |                |                |
|--------------------|--------------------|--------------------|--------------------|--------------------|--------------------|----------------|----------------|
| Power consumption  | 0.5 W              | 2.0 W              | 3.1 W              | 4 W                | 4.6 W              |                |                |
| Model No.          | LSXK-0702-□-DF-I-8 | LSXK-0823-□-DF-I-8 | LSXK-1008-□-DF-I-8 | LSXK-1137-□-DF-I-8 | LSXK-1451-□-DF-I-8 |                |                |
| Power consumption  | 5.7 W              | 6.6 W              | 8.1 W              | 9.2 W              | 11.8 W             |                |                |
| Light source color | N 5000K            | W 4000K            | WW 3500K           | L30 3000K          | L27 2700K          | L24 2400K      | L21 2100K      |
| @1008mm            | Ra 93 ○ 450 lm     | Ra 94 ○ 450 lm     | Ra 94 ○ 431 lm     | Ra 93 ○ 421 lm     | Ra 93 ○ 402 lm     | Ra 94 ○ 373 lm | Ra 90 ○ 351 lm |
| Luminaire efficacy | 68.2 lm/W          | 68.2 lm/W          | 65.3 lm/W          | 63.8 lm/W          | 60.9 lm/W          | 56.5 lm/W      | 53.2 lm/W      |

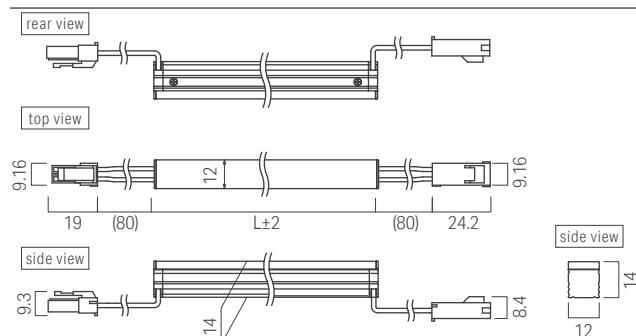
## 4.3 W/m series

| Model No.          | LSXK-0074-□-DF-I-4 | LSXK-0259-□-DF-I-4 | LSXK-0388-□-DF-I-4 | LSXK-0509-□-DF-I-4 | LSXK-0573-□-DF-I-4 |                |                |
|--------------------|--------------------|--------------------|--------------------|--------------------|--------------------|----------------|----------------|
| Power consumption  | 0.3 W              | 1 W                | 1.6 W              | 2.1 W              | 2.4 W              |                |                |
| Model No.          | LSXK-0702-□-DF-I-4 | LSXK-0823-□-DF-I-4 | LSXK-1008-□-DF-I-4 | LSXK-1137-□-DF-I-4 | LSXK-1451-□-DF-I-4 |                |                |
| Power consumption  | 3 W                | 3.5 W              | 4.3 W              | 4.9 W              | 6.3 W              |                |                |
| Light source color | N 5000K            | W 4000K            | WW 3500K           | L30 3000K          | L27 2700K          | L24 2400K      | L21 2100K      |
| @1008mm            | Ra 93 ○ 213 lm     | Ra 94 ○ 213 lm     | Ra 94 ○ 204 lm     | Ra 93 ○ 199 lm     | Ra 93 ○ 190 lm     | Ra 94 ○ 177 lm | Ra 90 ○ 166 lm |
| Luminaire efficacy | 60.9 lm/W          | 60.9 lm/W          | 58.3 lm/W          | 56.9 lm/W          | 54.3 lm/W          | 40.6 lm/W      | 47.4 lm/W      |

## General Specification

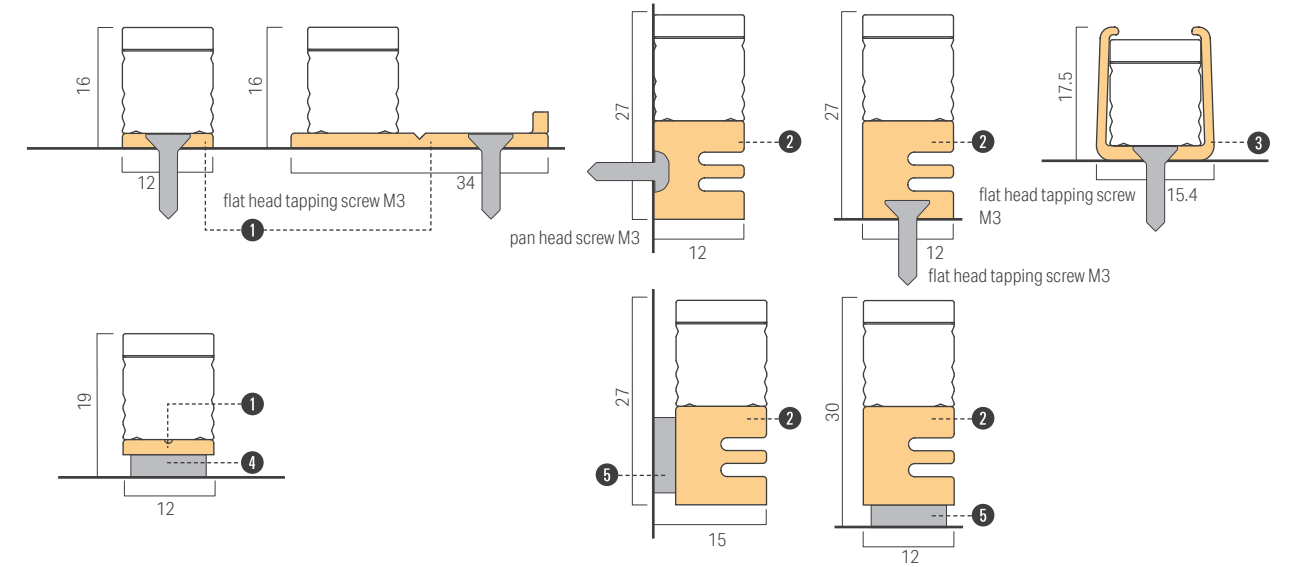
|                         |   |
|-------------------------|---|
| Input voltage           | DC24V   |
| Environment             | Indoors (no condensation)   |
| Max. length per circuit | 6m  |
| Material (body)         | Polycarbonate, Aluminum   |
| Attachments             | 1 Multiclip 3 pcs for 702mm or shorter<br>5 pcs for 823mm or longer                     |
| Option parts            | 1 Multiclip 2 Liftclip 3 Outerclip 4 5 Magnet set<br>6 Power supply cable 7 Joint cable |
| Certification           | CE, BIS   |
| Dimmable                | Yes (0-10V/1-10V, DMX, DALI, PWM)   |
| Power Supplies          | Required  |

## External dimensions



# Luci silux® K

## Cross sectional view when installing optional items



## Option parts

**1 Multiclip K for silux Attachment**  
Model No : LSX-PTM-C  
Attached with LED fixture  
3 pcs for 702mm or shorter  
5 pcs for 823mm or longer  
For extra order  
3pcs/bag  
For magnet installation,  
please refer the required number  
of clip to the table on P.139.

**2 Liftclip for silux**  
Model No : LSX-PTL  
2 pcs/1 bag  
Liftclip is for hiding the connector  
behind the LED fixture.  
There are two directions  
of fixing the liftclip.  
For magnet installation,  
please refer the required number  
of clip to the table on P.139.

**3 Outerclip for silux**  
Model No : LSX-PT-A  
5 pcs/1 bag  
Outerclip is for the downwards  
emitting installation.

**4 Magnet Set A**  
Model No : MG-A  
5 pcs/1 bag  
Used for installing LED fixture with 1 Multiclip clip on metal plate.  
Metal plate is required by installer.

**5 Magnet Set L**  
Model No : MG-L  
10 pcs/1 bag  
Used for installing LED fixture with 2 Lift clip on metal plate.  
Metal plate is required by installer.

**6 Power supply cable 3M**  
Model No : CAD-3000-MCNN-I  
1 pcs per circuit for connecting the LED fixture  
to power supply or dimmer driver.

**7 Joint cable 1M**  
Model No : CAD-1000-MCFC-I  
Joint cable between two LED fixtures

## Max. connectable length per power supply

| Length of LED fixture (70% loading factor)<br>*: split into multiple circuits |          |          | Power supply      |
|---|----------|----------|-------------------|
| 13.3 W/m  | 8.1 W/m  | 4.3 W/m  | 50W power supply  |
| ~2.6 m  | ~4.3 m   | ~8.7 m*  | 100W power supply |
| ~5.2 m  | ~8.7 m*  | ~17.5 m* | 150W power supply |
| ~7.8 m*   | ~13.1 m* | ~26.2 m* |                   |

Indoor  
Rigid light  
LSXK  
Vivoxy Graze  
Vivoxy Graze THOP®  
RECITA  
THOP®  
Creidea® F / lens  
silux® K  
silux wide® K  
nano line