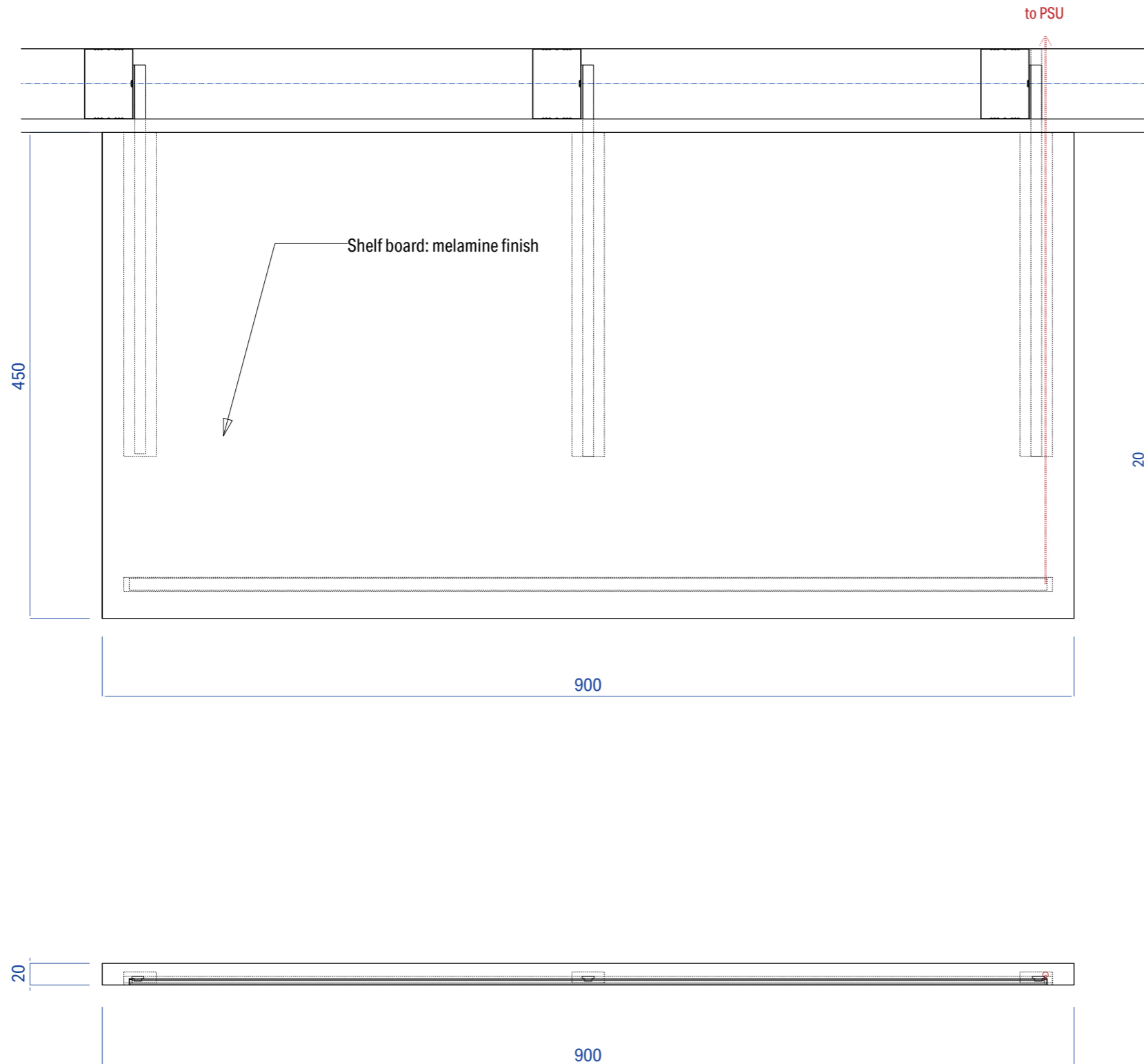


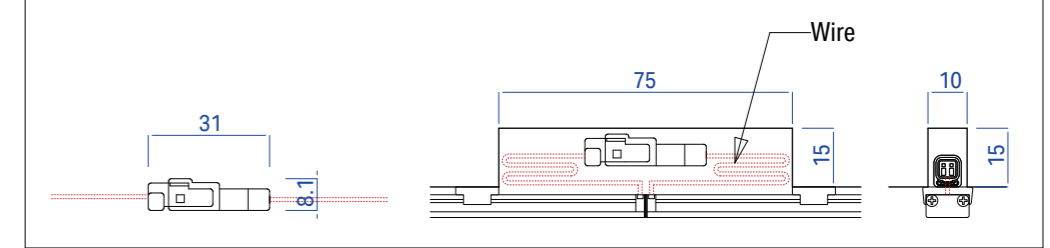
Under shelf (recessed)

The RIMiT us can be fully recessed into a thin shelving board with its low profile design, requiring only 8mm of depth.

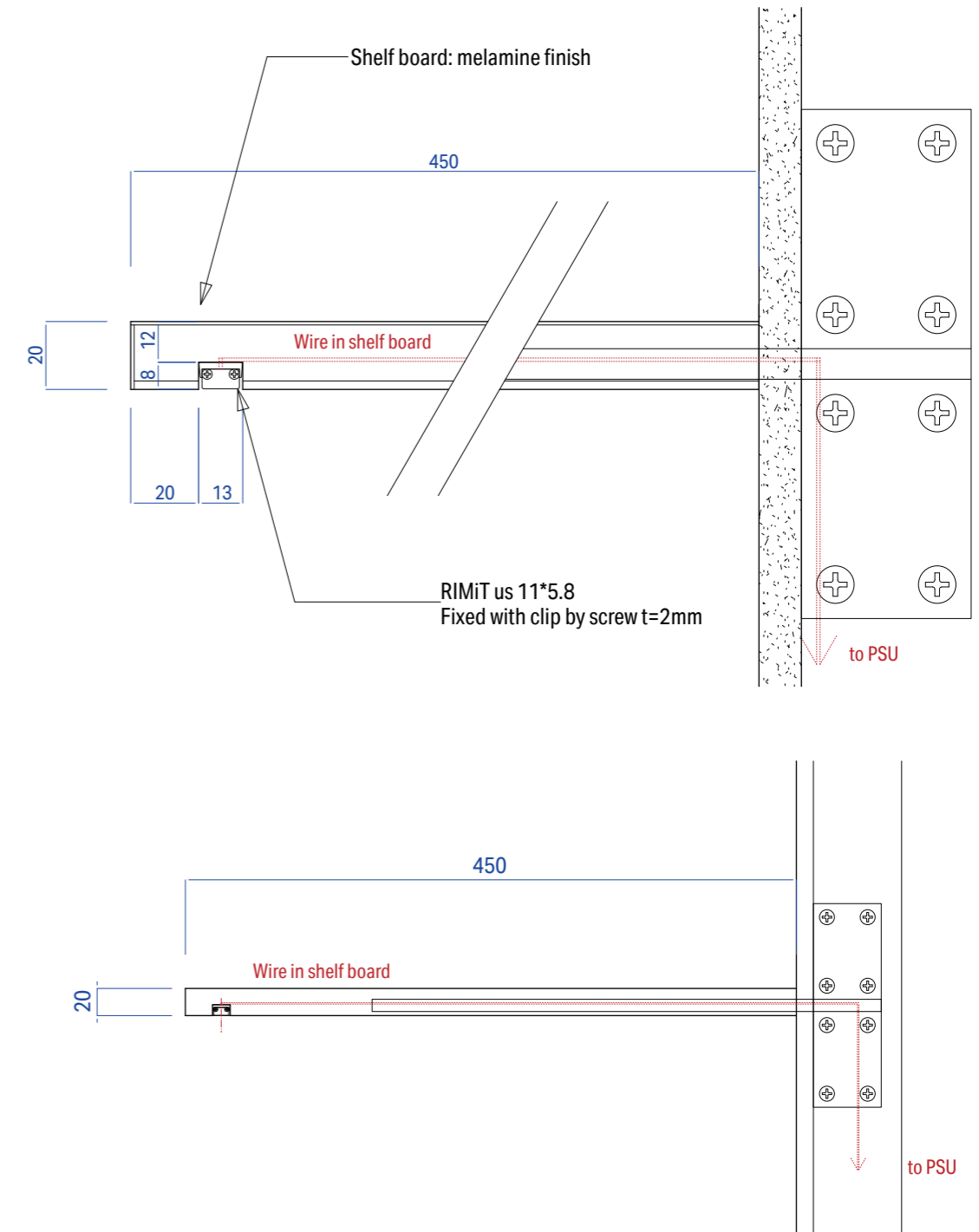
Lighting installation drawing for reference



Hole dimension for installing connector at joint S=1:2



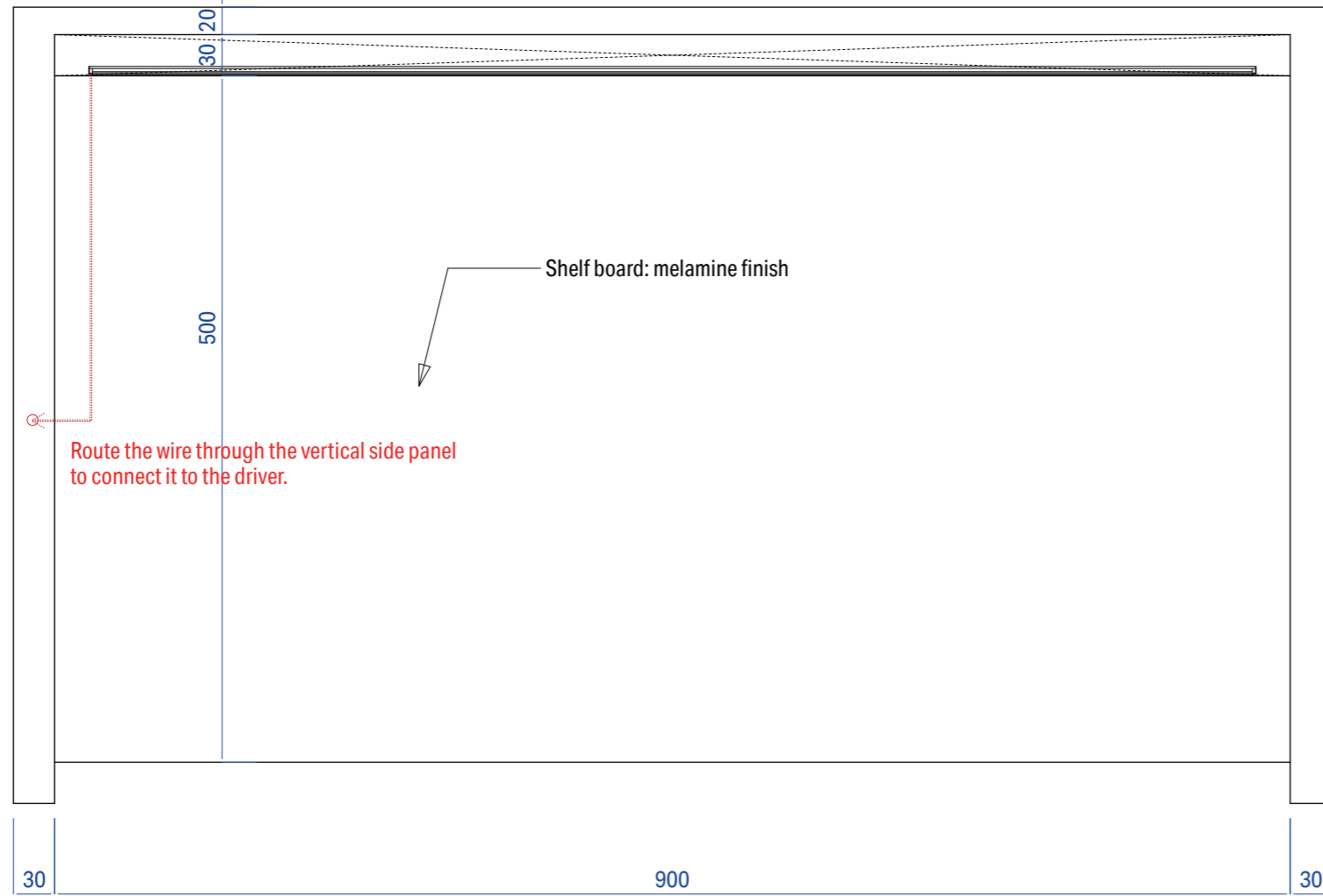
Section detail S=1:2



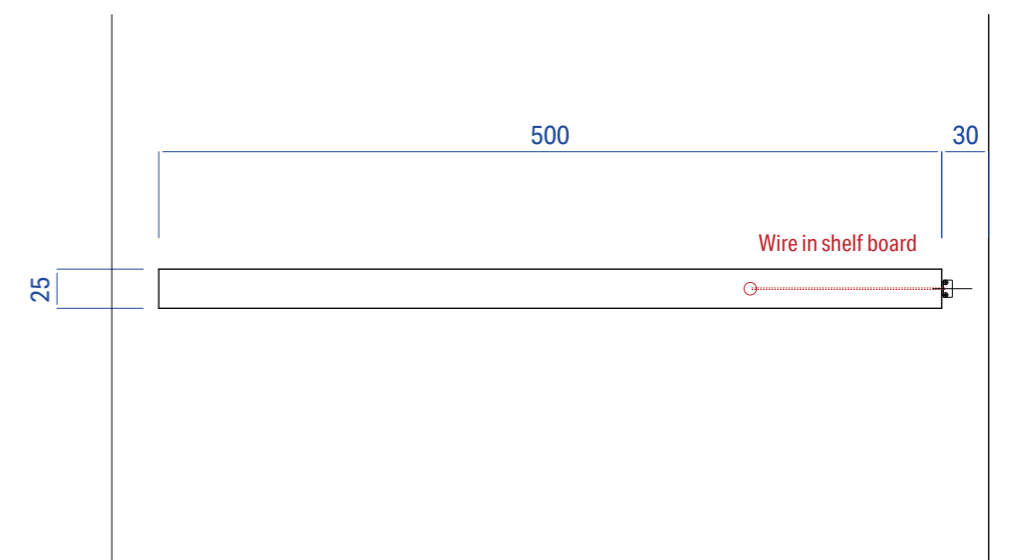
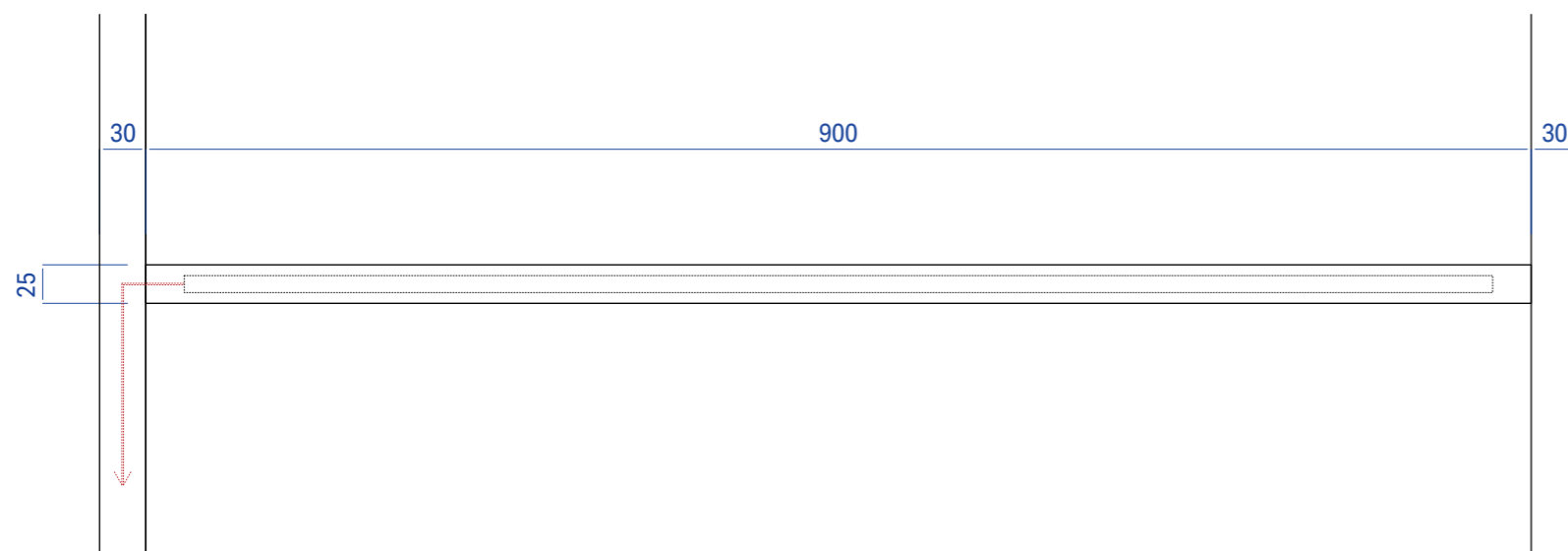
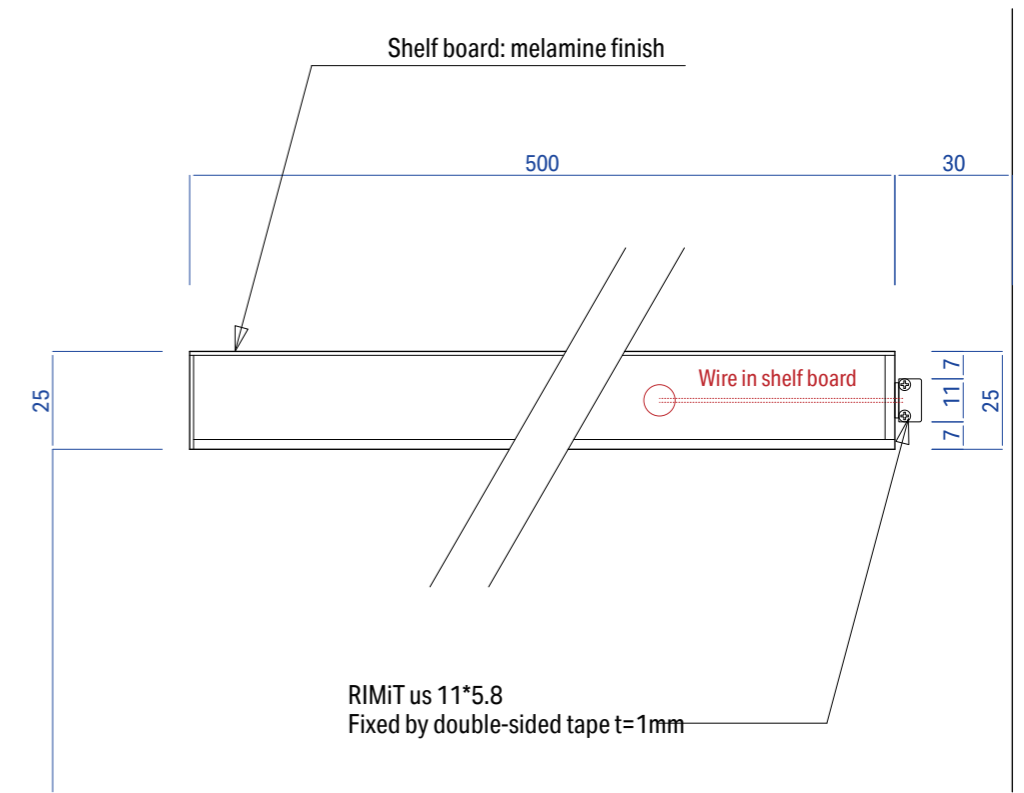
Backlit of shelf board

The homogeneous light distribution and low profile design of RIMiT us allow for reduced distance between the shelf board and backboard, resulting in the increased depth dimension of the shelf board.

Lighting installation drawing for reference



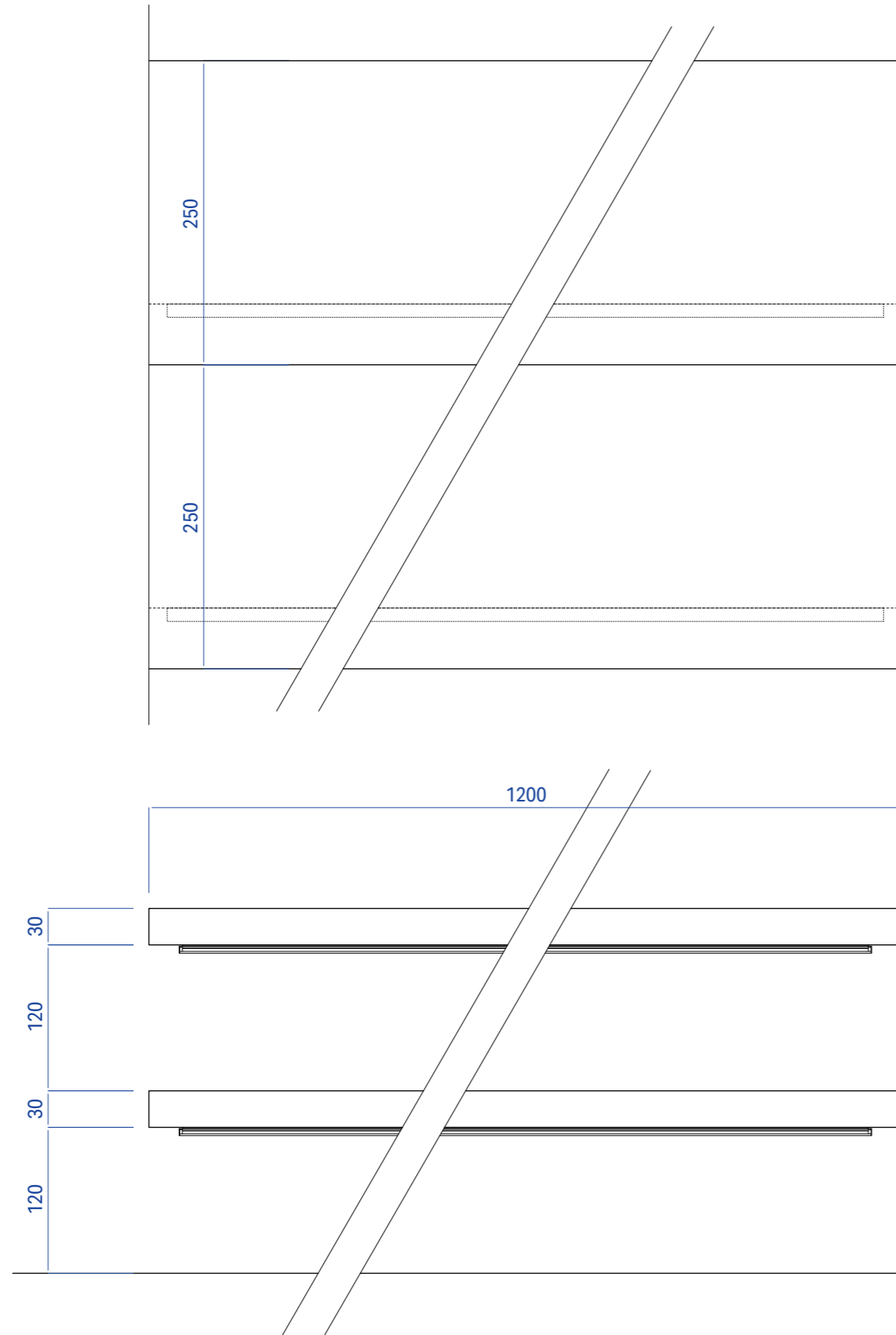
Section detail S=1:2



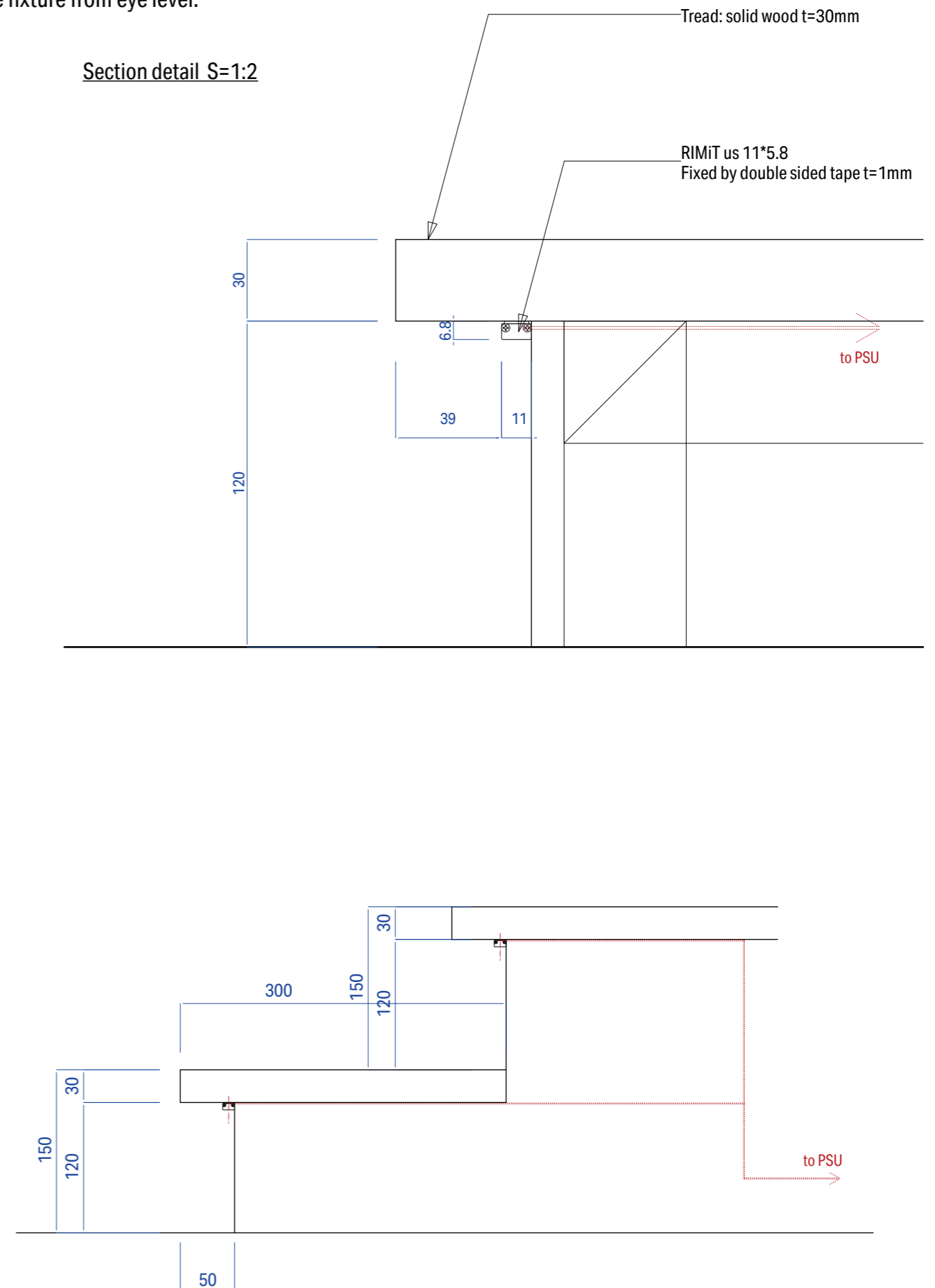
Step

RIMiT us can be surface mounted under low-height steps with double-sided tape, and it is recommended to install it at the innermost corner to achieve an indirect lighting effect and hide the fixture from eye level.

Lighting installation drawing for reference



Section detail S=1:2

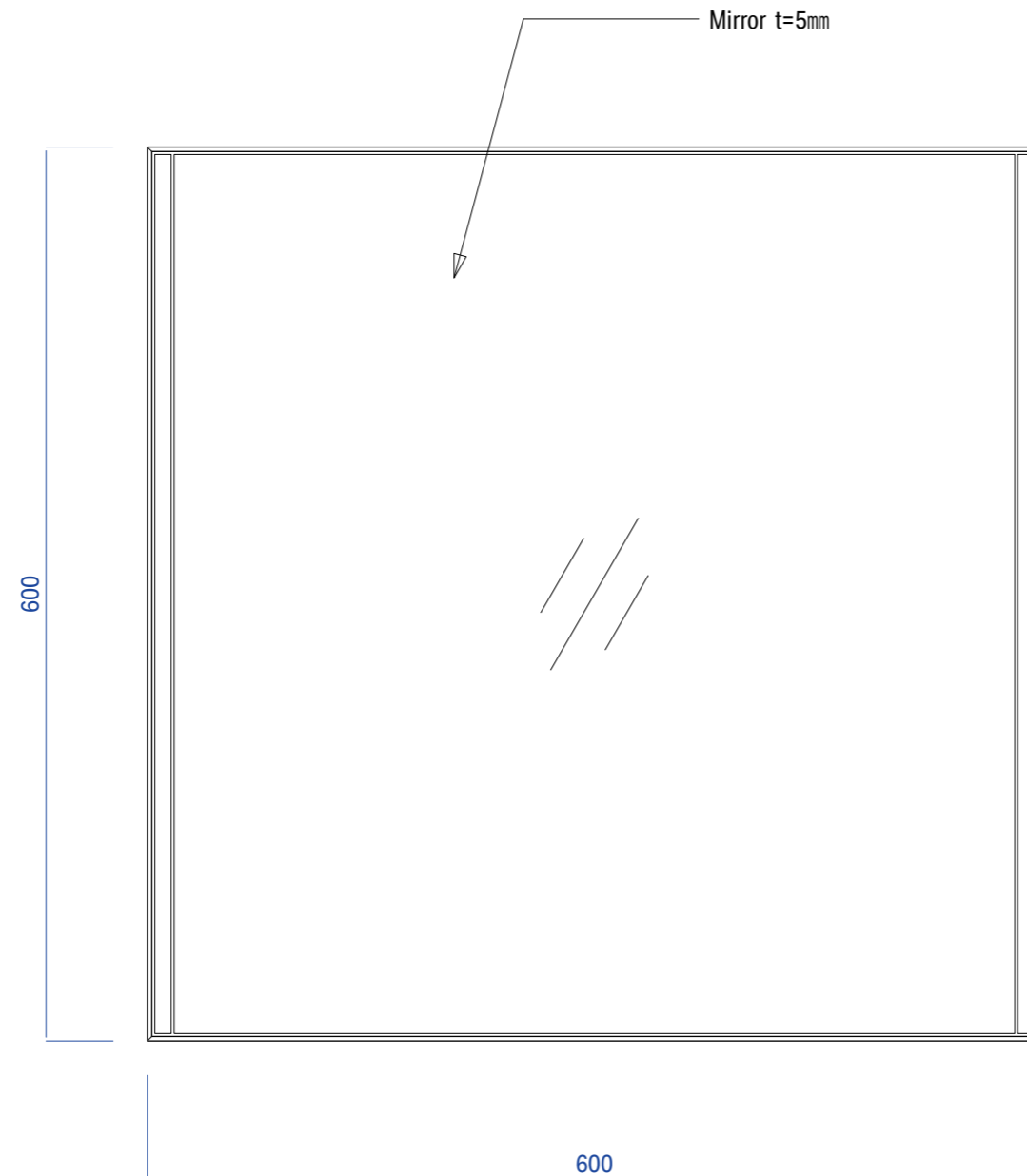
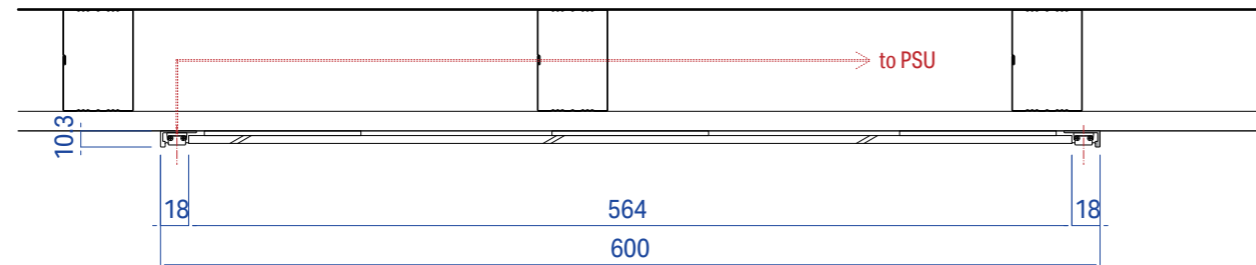


Mirror edge

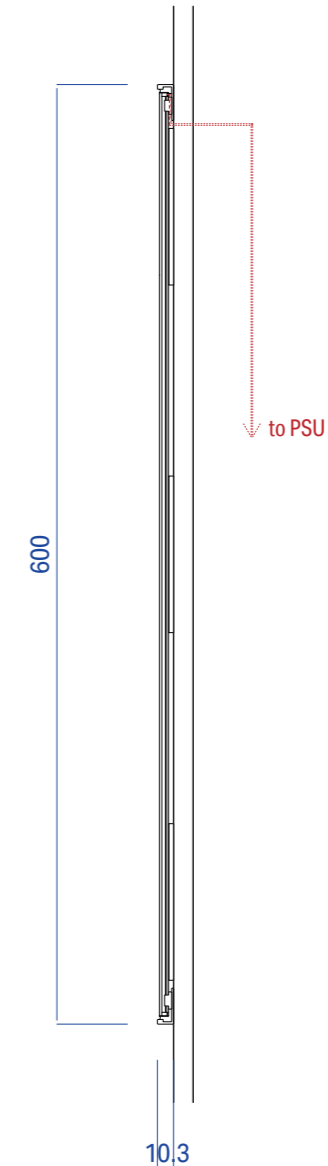
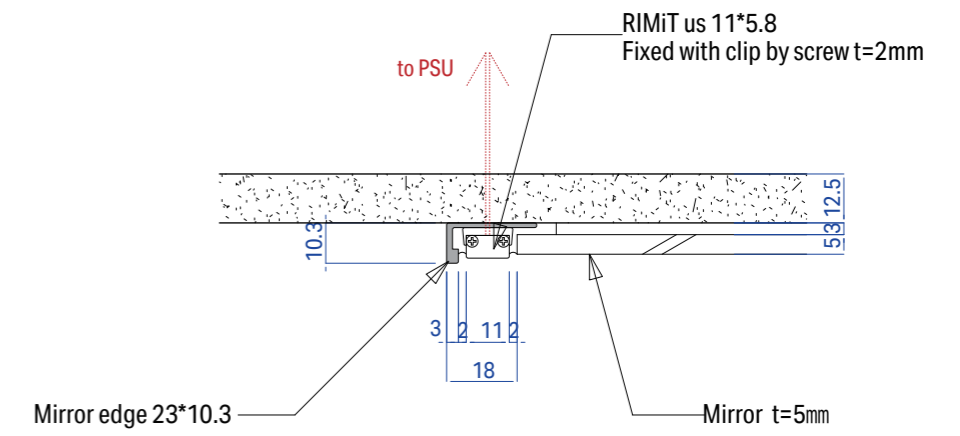
The installation thickness of the mirror and the height dimension of RIMiT us are almost the same, making it possible to install the light fixture without embedding it into the wall to get a flush surface.

The RIMiT us provides just the right amount of brightness to illuminate the face from the side of the mirror without causing glare.

Lighting installation drawing for reference



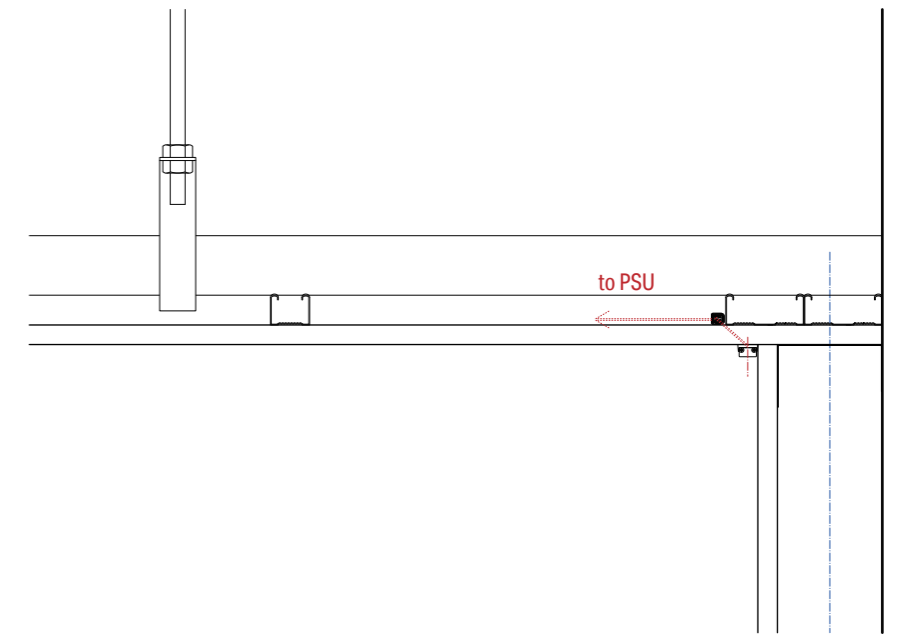
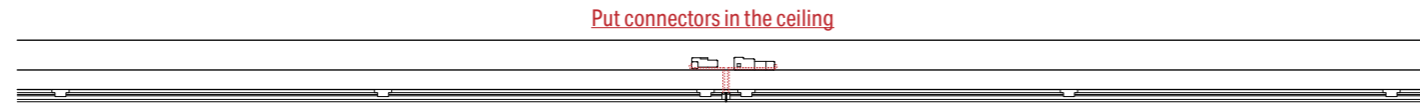
Section detail S=1:2



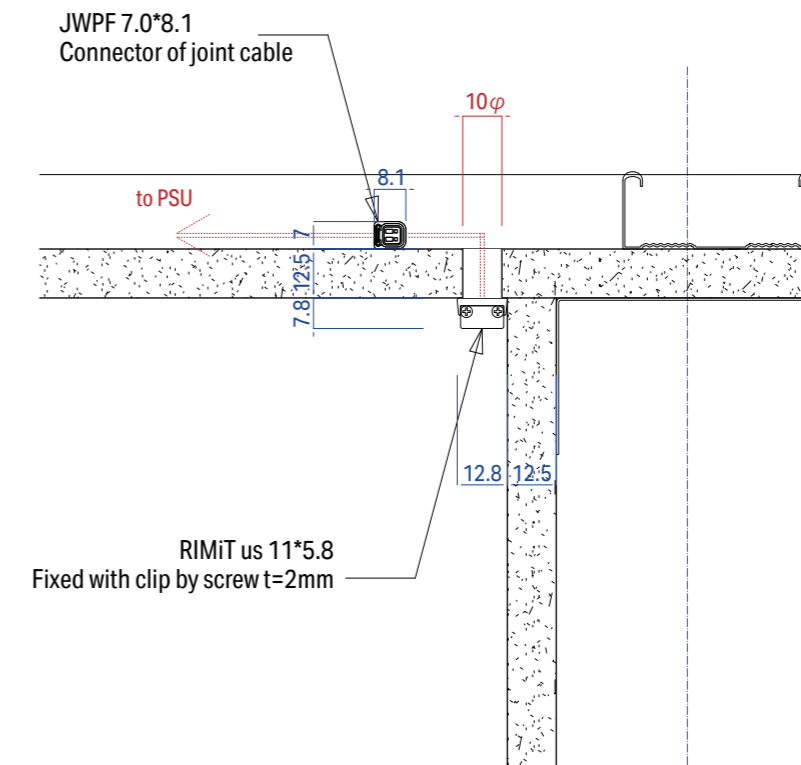
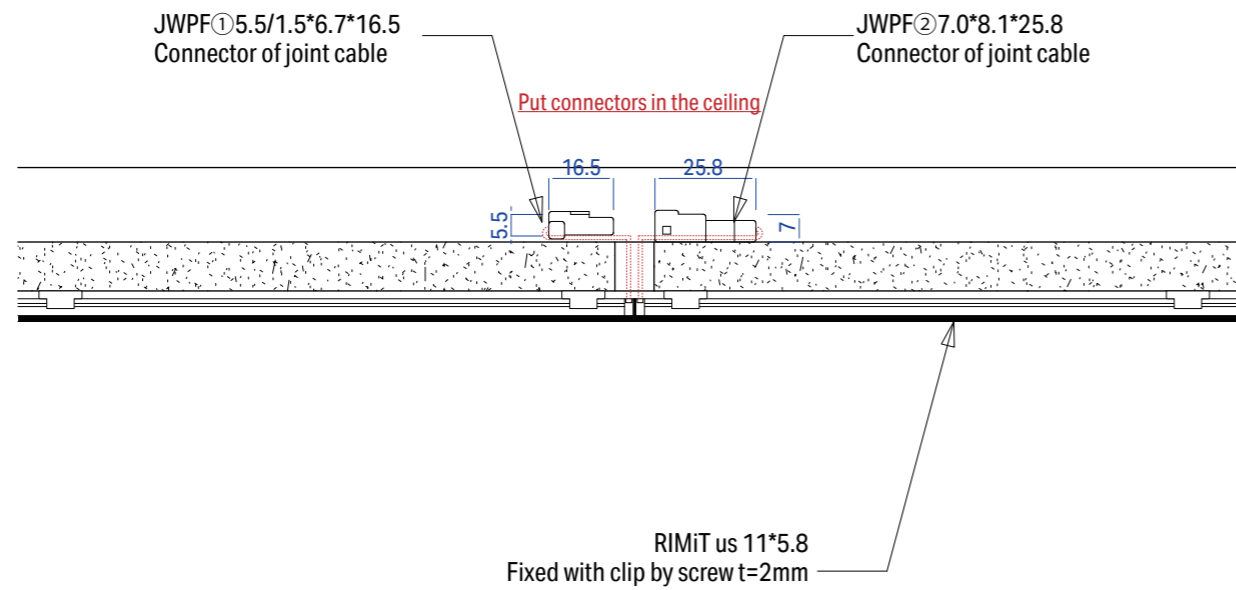
Ceiling (surface mounting)

Despite being installed directly, the thin design of RIMiT us creates an effect similar to that of recessed lighting. The higher the ceiling height, the less recognizable the size of the lighting fixture, providing a sense of an embedded space. It can also be attached to the corner of the wall and ceiling to blend in with the surrounding edge.

Lighting installation drawing for reference



断面詳細図 S=1:2

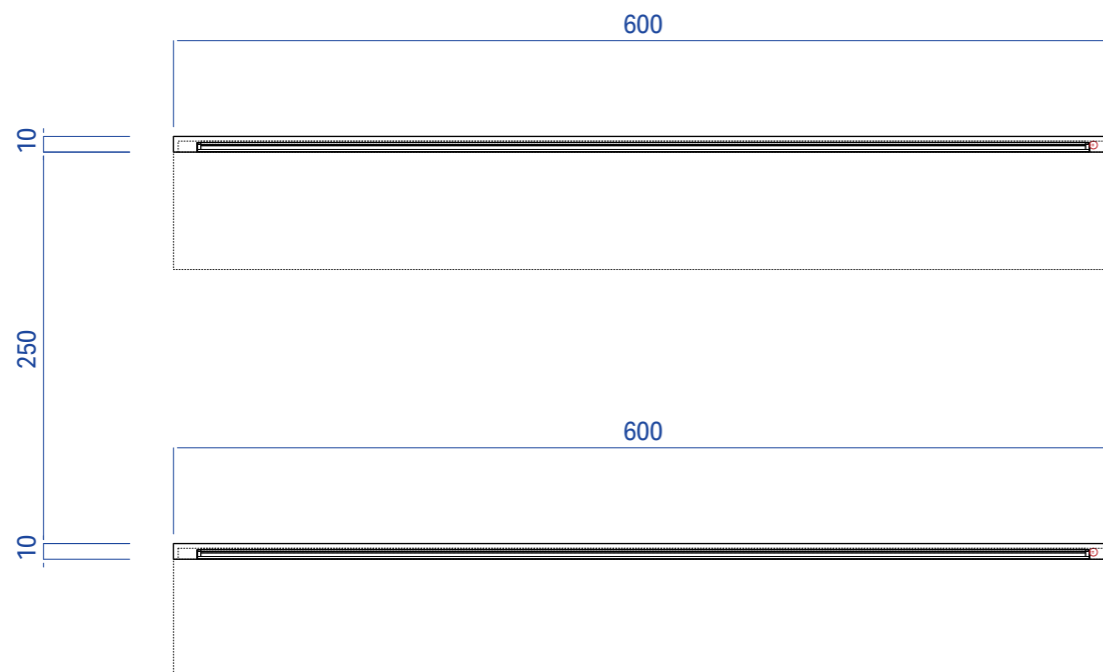
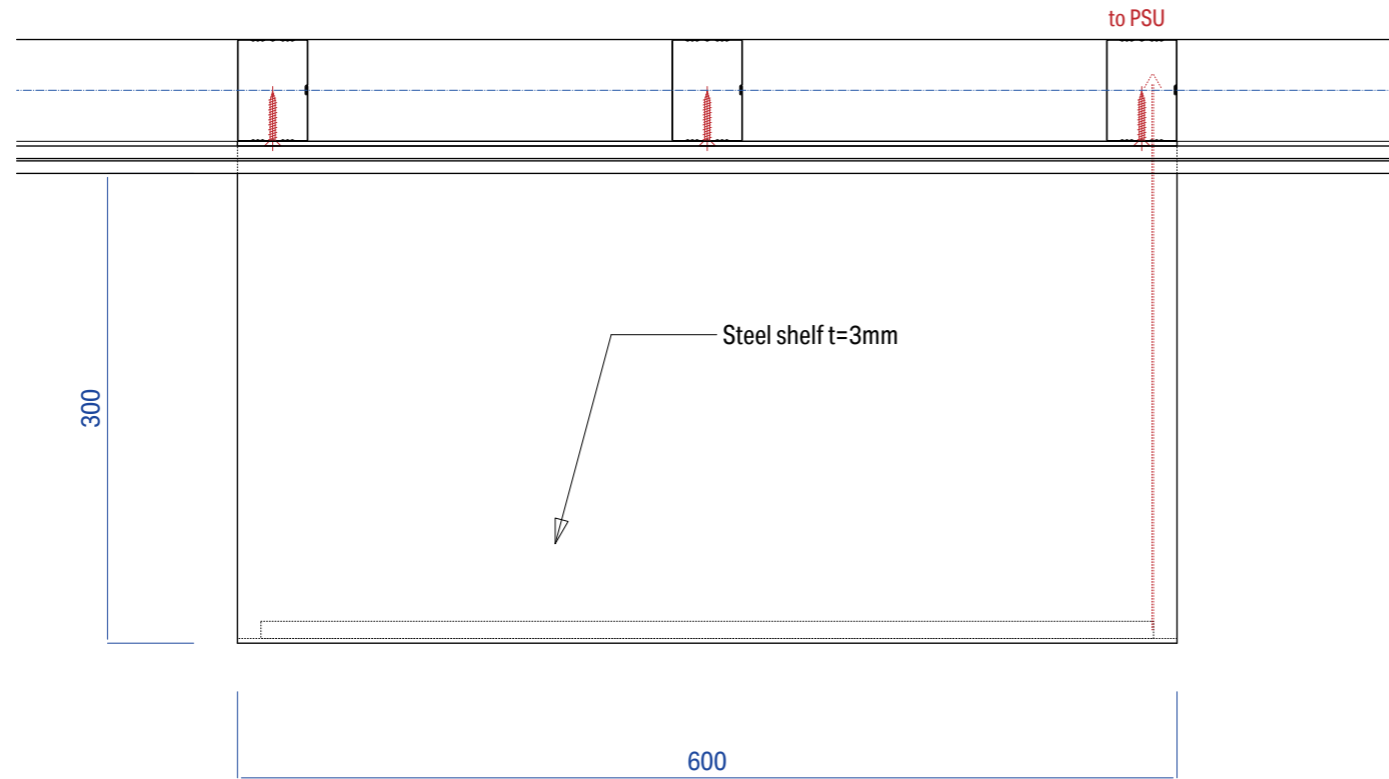


Under metal shelf

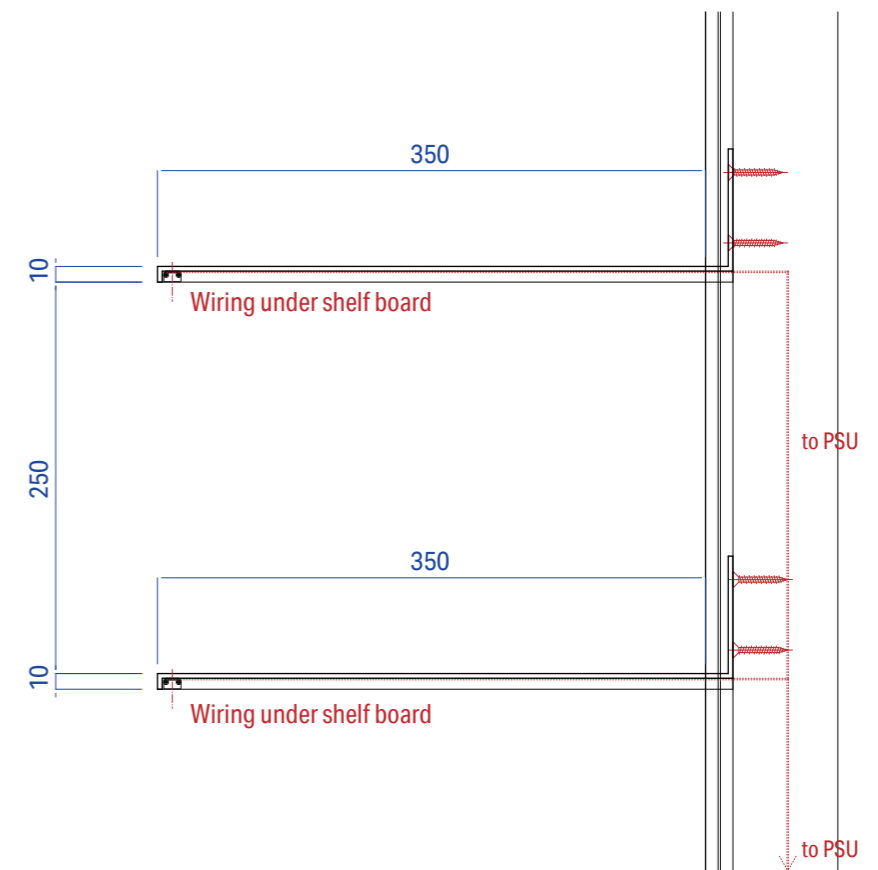
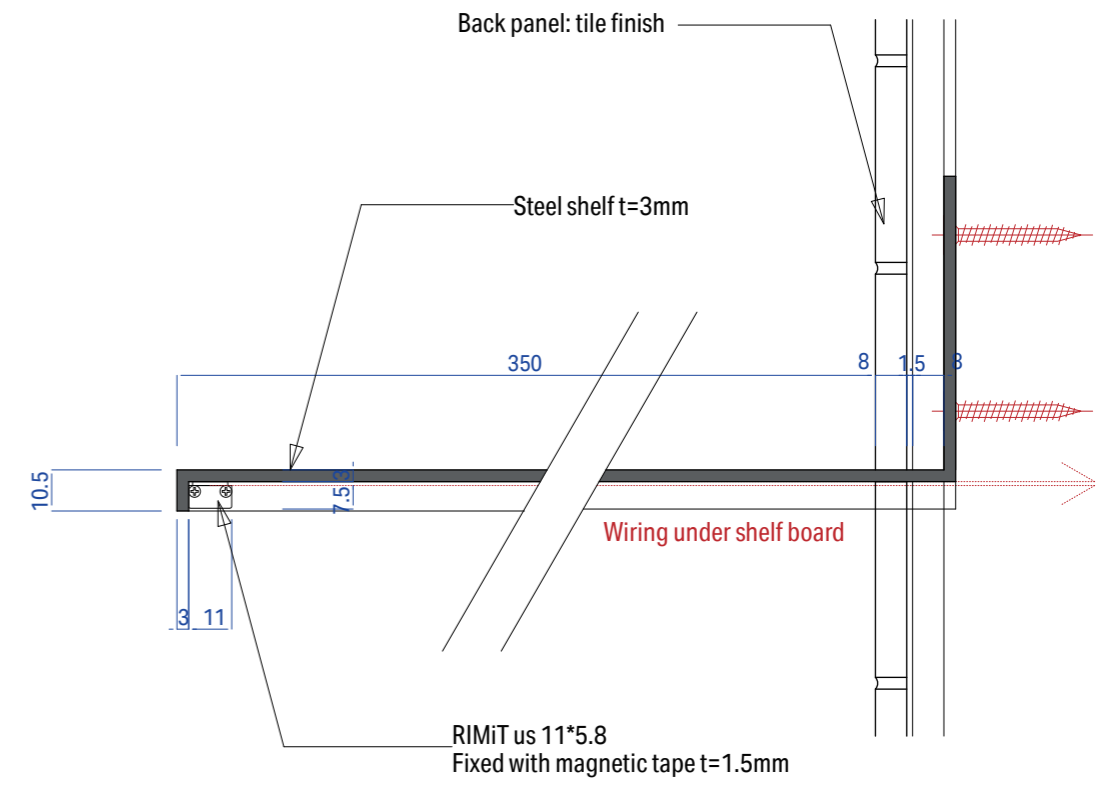
RIMiT us can be installed as a shelf light using magnets due to its thin and lightweight.

It does not interfere with the slim impression of the metal flame shelf board.

Lighting installation drawing for reference



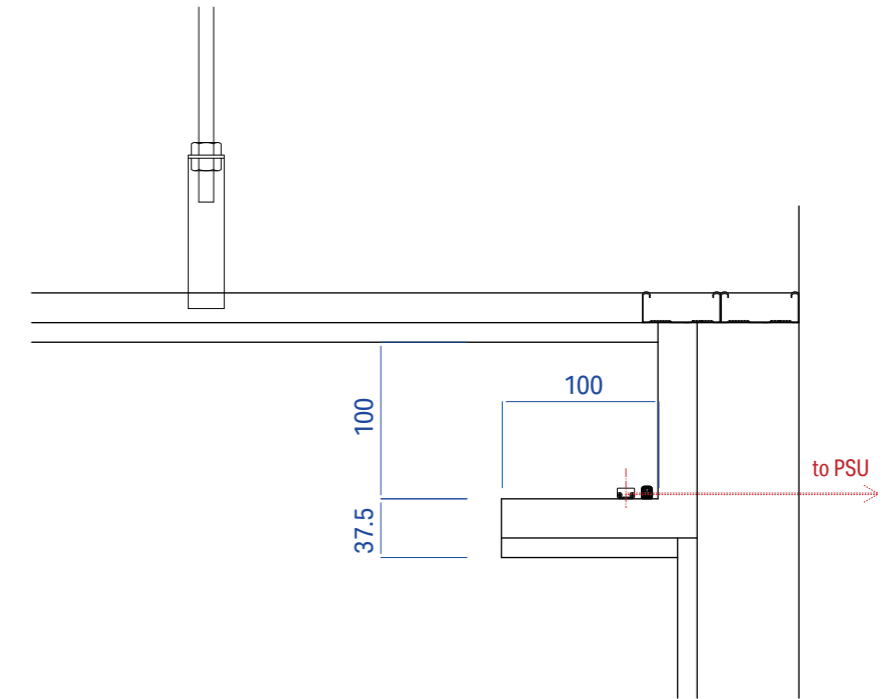
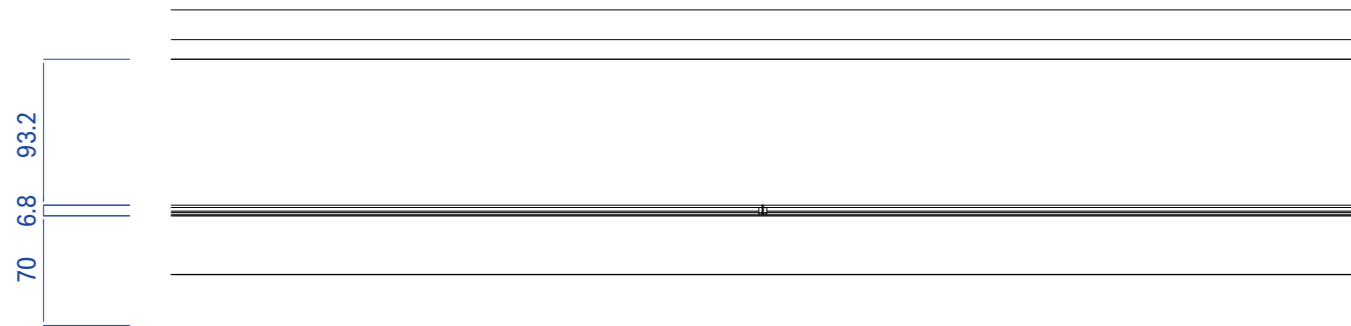
Section detail S=1:2



Ceiling cove

The RIMiT us can be easily hidden in the cove, even without a fascia, and the diffuser cover eliminates the need to worry about the LED dots being reflected on the ceiling.

Lighting installation drawing for reference



Section detail S=1:2

