

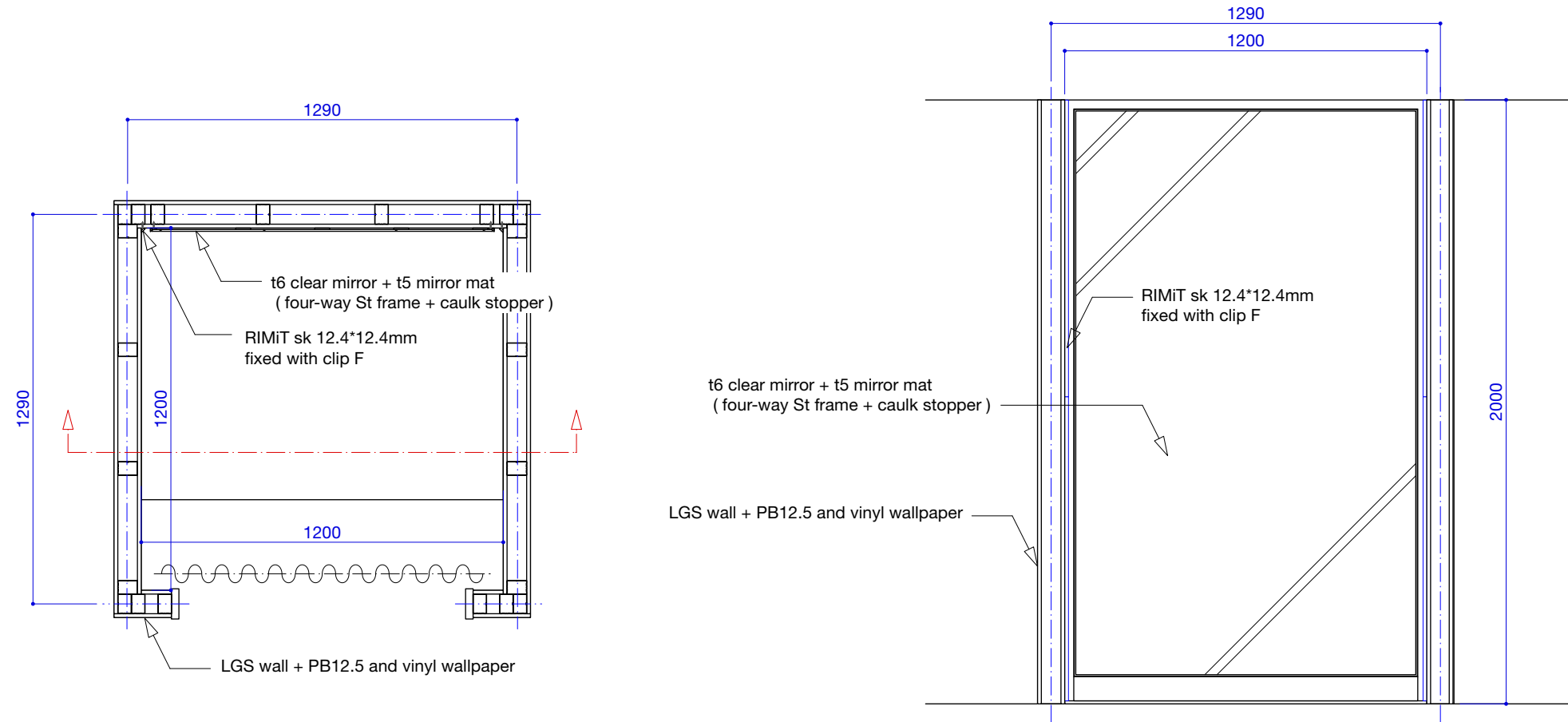
[Fitting room]

Drawing reference for fixture installation

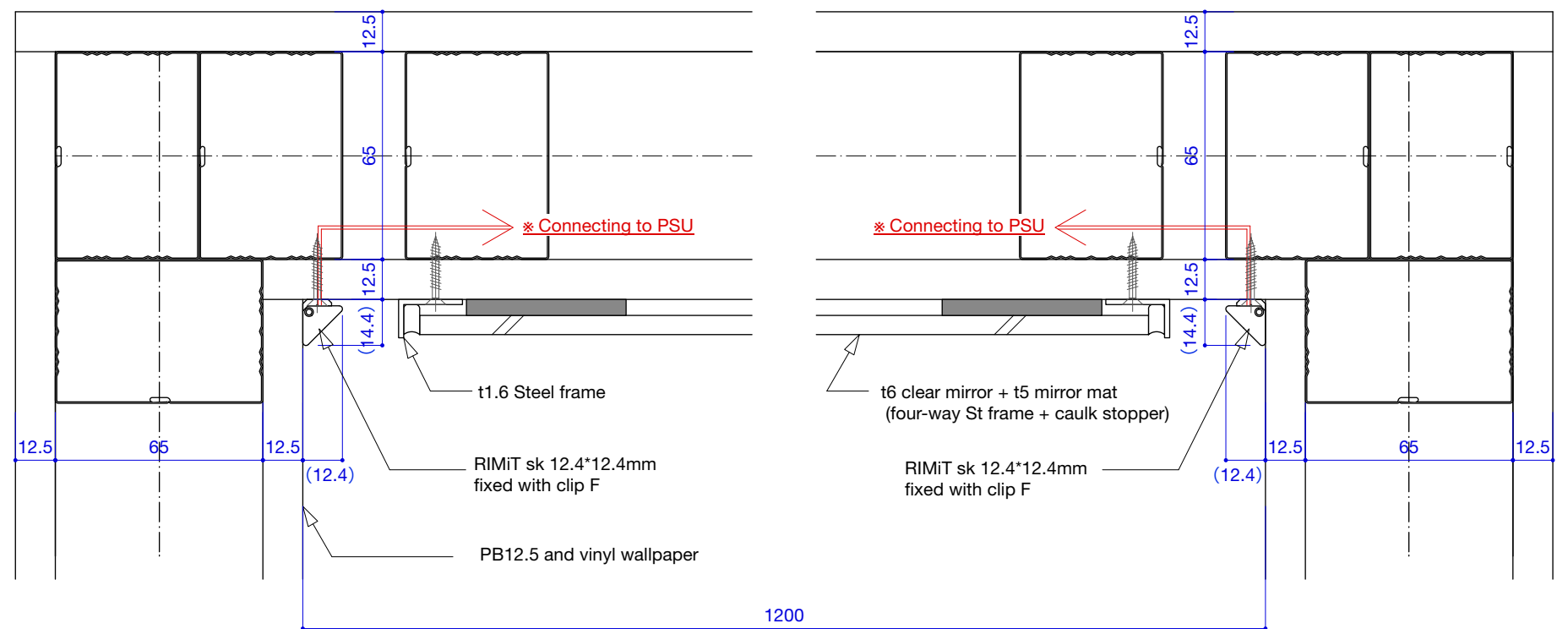
S=1/20, 1/2 (A3)

Benefits:

- Space is fully lit and evenly distributed at an angle simply by placing light fixtures in the corners.
- Uniform illumination of the entire space without casting shadows.



Horizontal cross section detail drawing
S=1:2



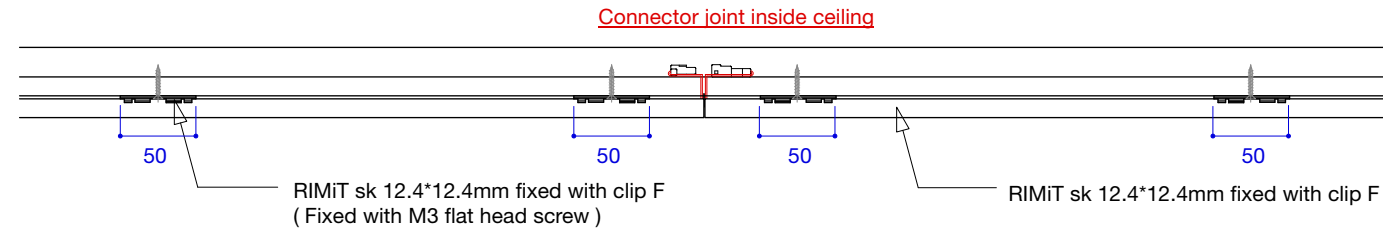
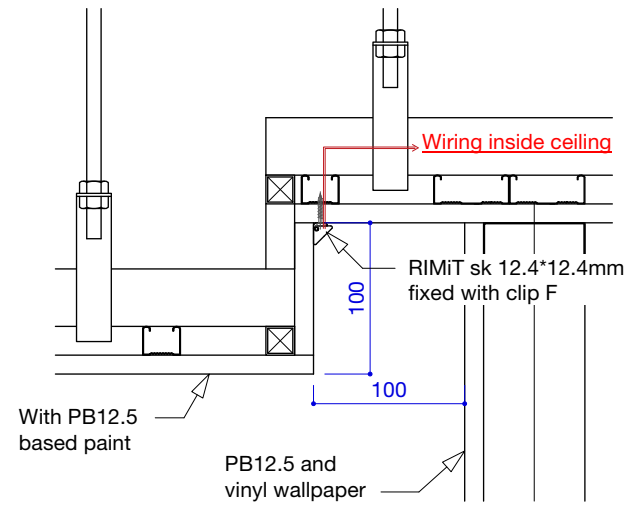
【Wall washer light】

Drawing reference for fixture installation

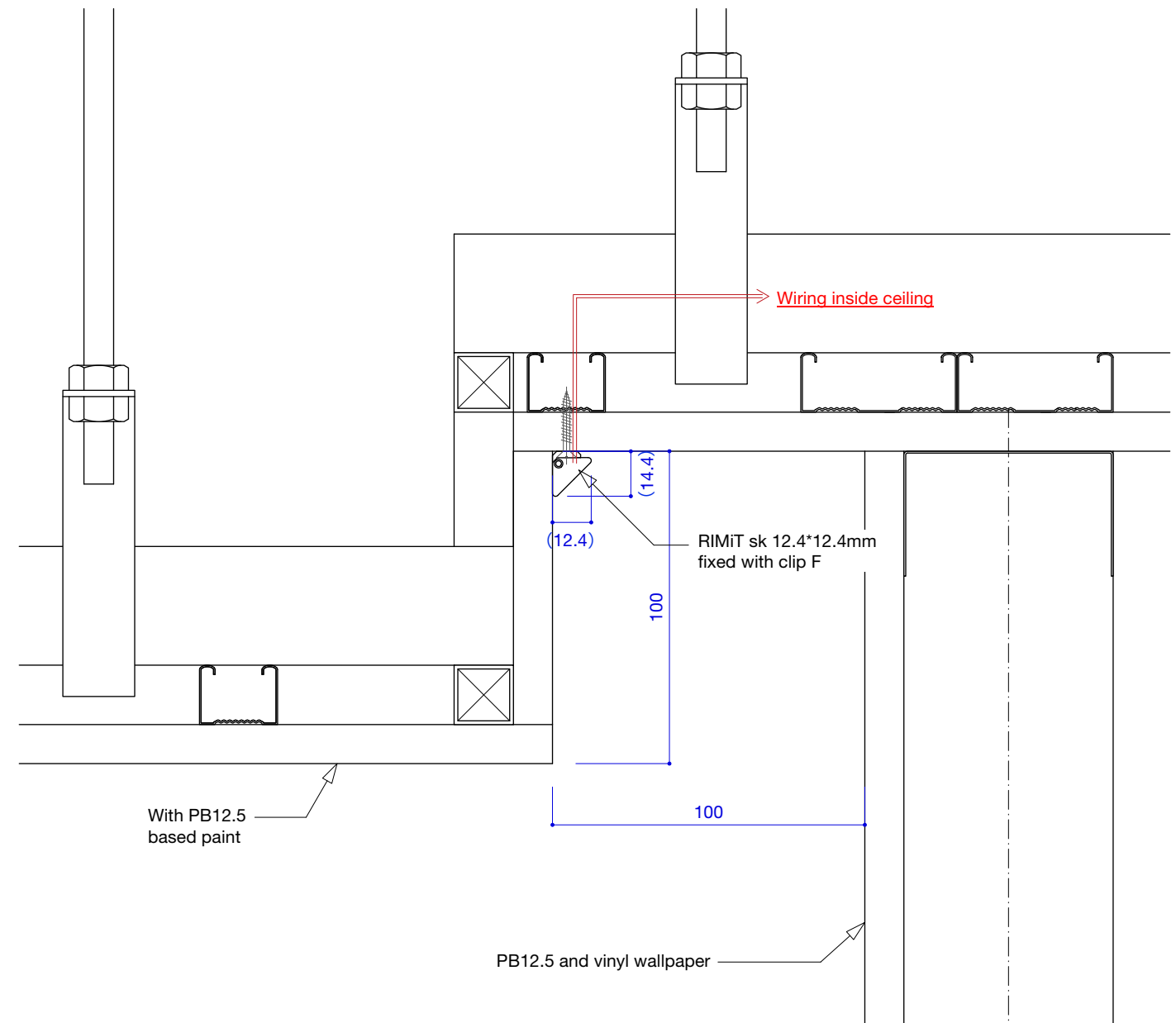
S=1/5, 1/2 (A3)

Benefits:

- Highly invisible space-saving luminaire with easy installation.
- Space is fully lit and evenly distributed at an angle simply by placing light fixtures in the corners.



Side section detail drawing
S=1:2

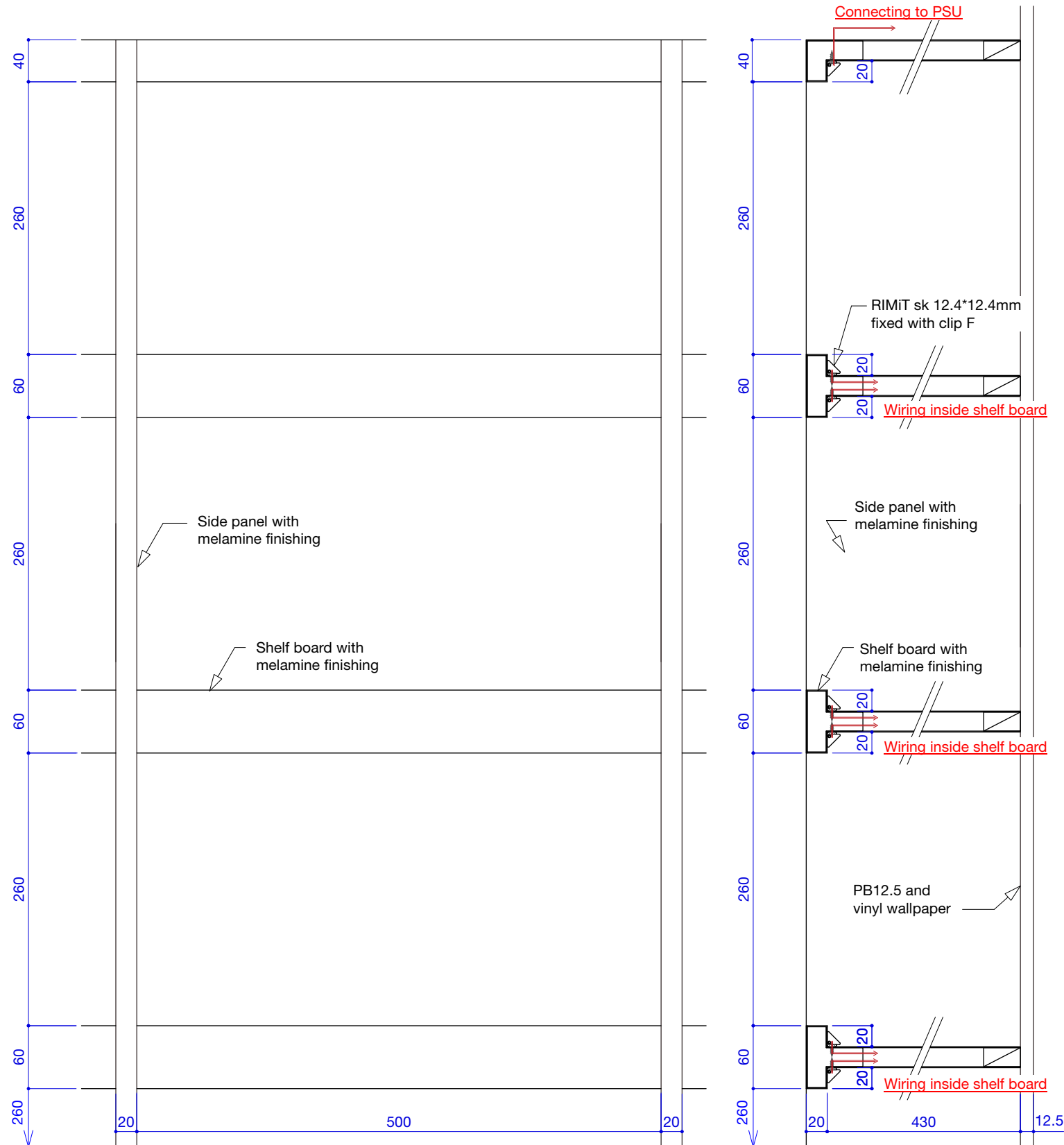


【Horizontal front shelf lighting】

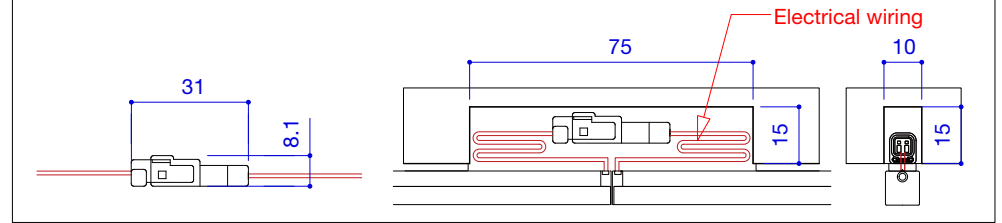
Drawing reference for fixture installation S=1/5, 1/2 (A3)

Benefits:

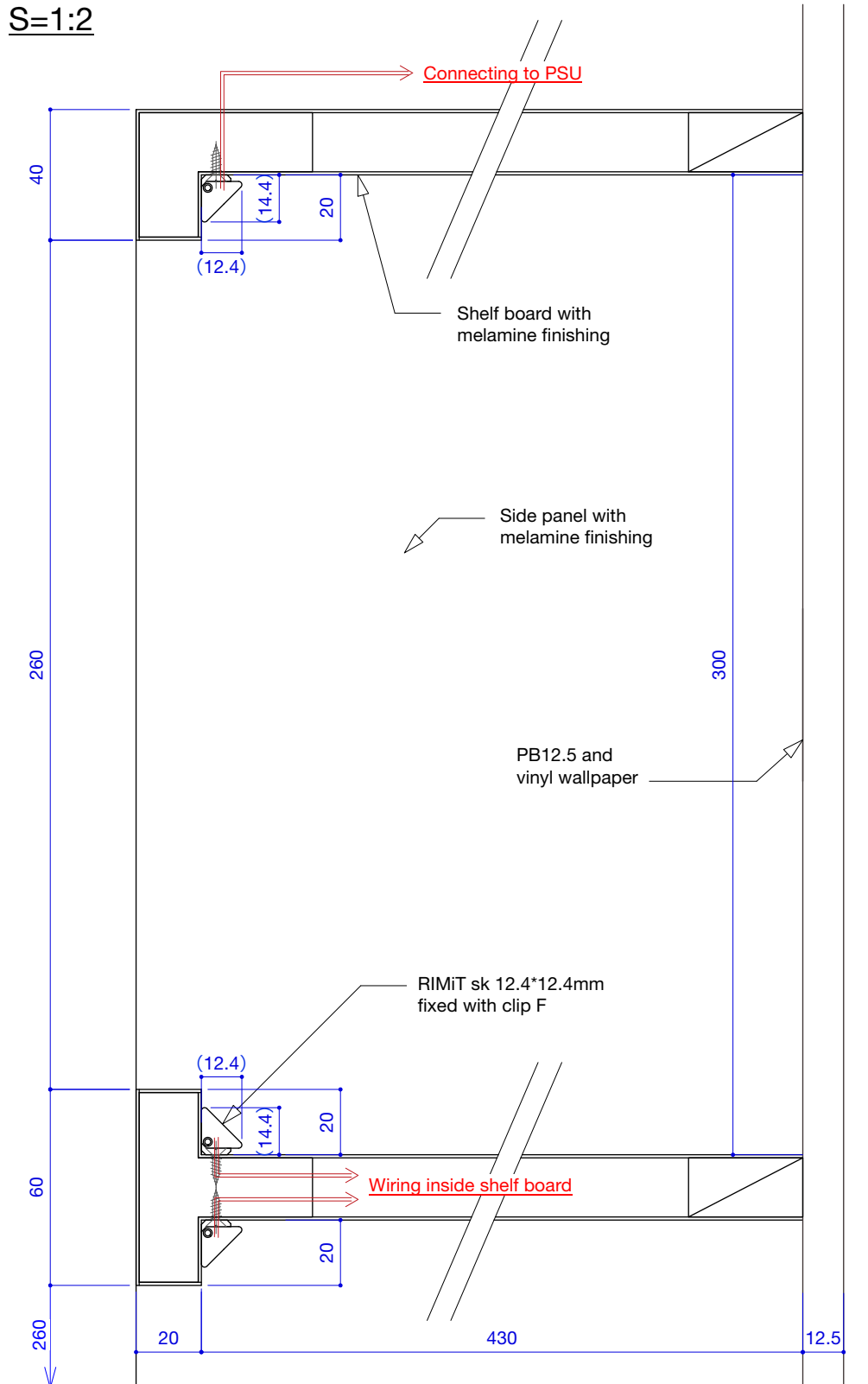
- Highly invisible space-saving luminaire with easy installation.
- Space is fully lit and evenly distributed at an angle simply by placing light fixtures in the corners.
- Enhancing the attractiveness of products on display with high-color rendering lighting.



Dimension of opening for installing connectors S=1*2



Side section detail drawing S=1:2



【Horizontal back shelf lighting】

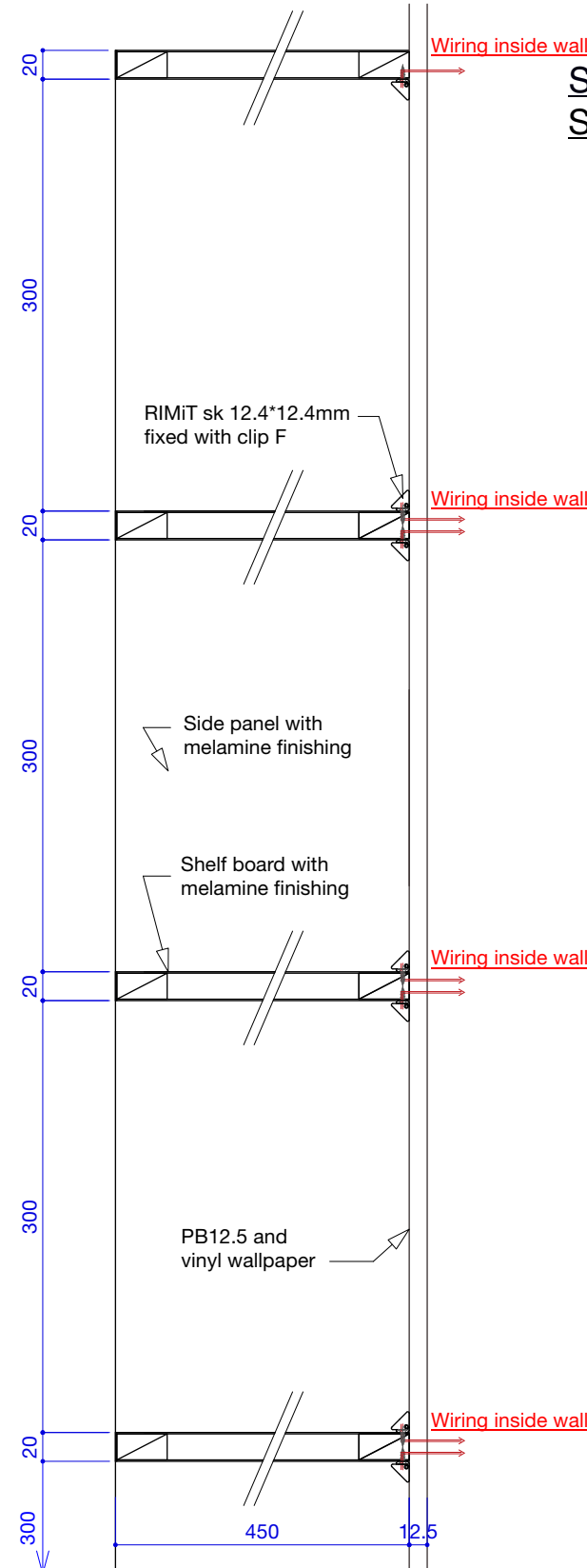
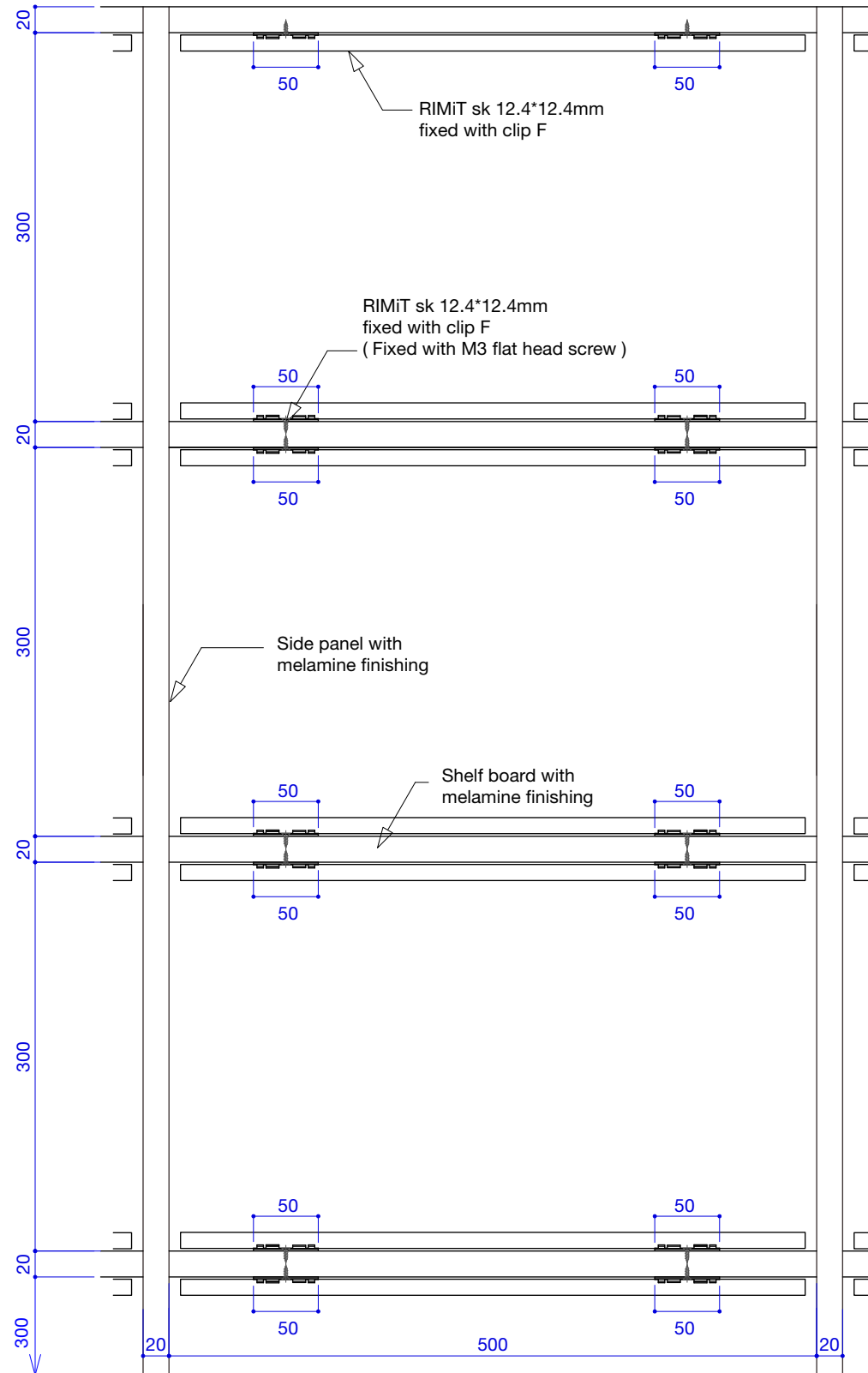
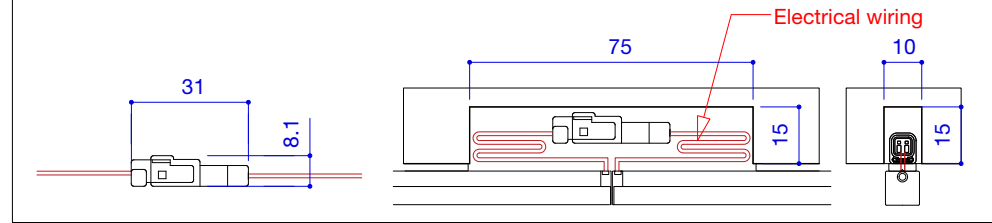
Drawing reference for fixture installation

S=1/5, 1/2 (A3)

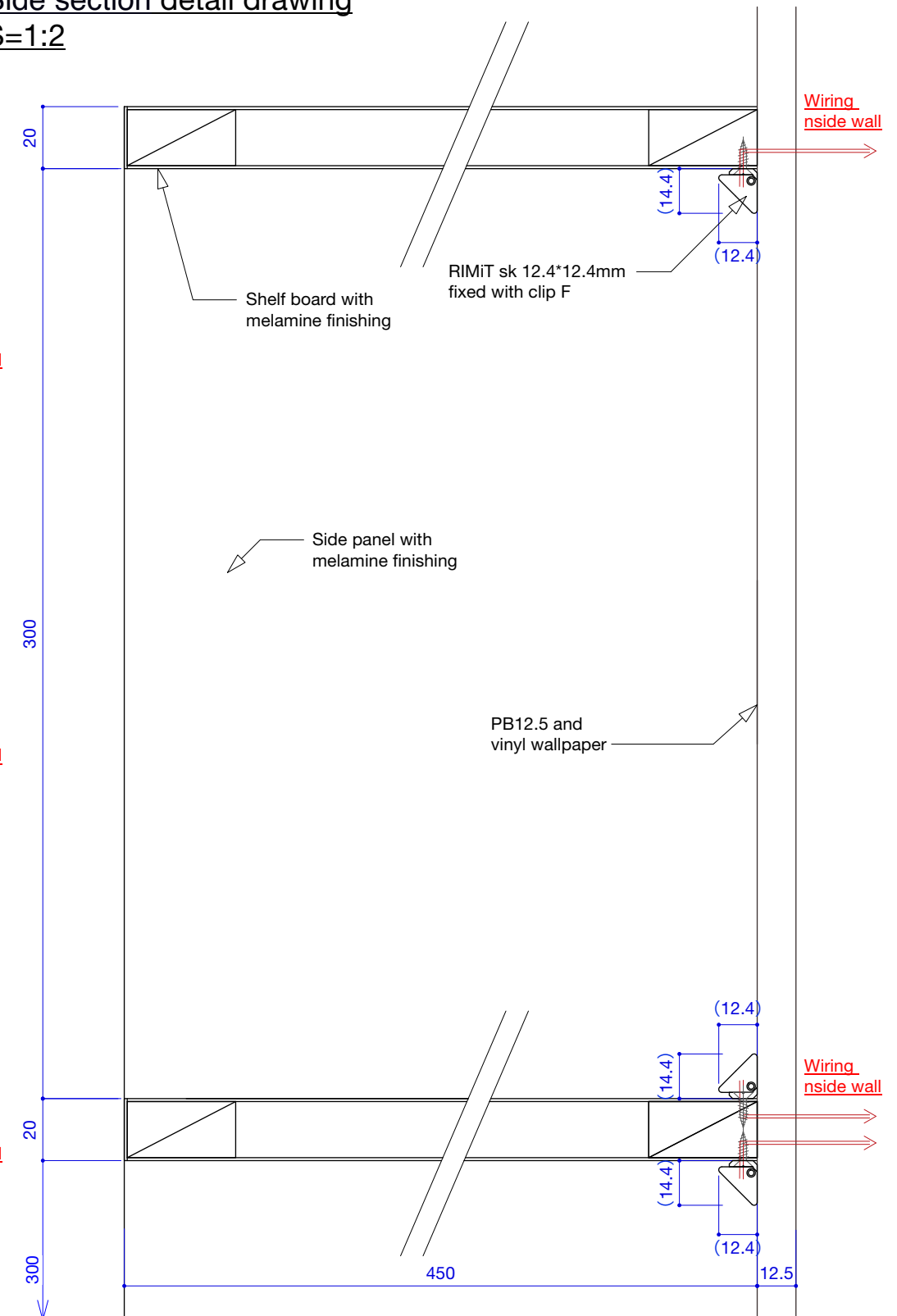
Benefits:

- Highly invisible space-saving luminaire with easy installation.
- Space is fully lit and evenly distributed at an angle simply by placing light fixtures in the corners.
- Enhancing the attractiveness of products on display with high-color rendering lighting.

Dimension of opening for installing connectors S=1*2



Side section detail drawing S=1:2

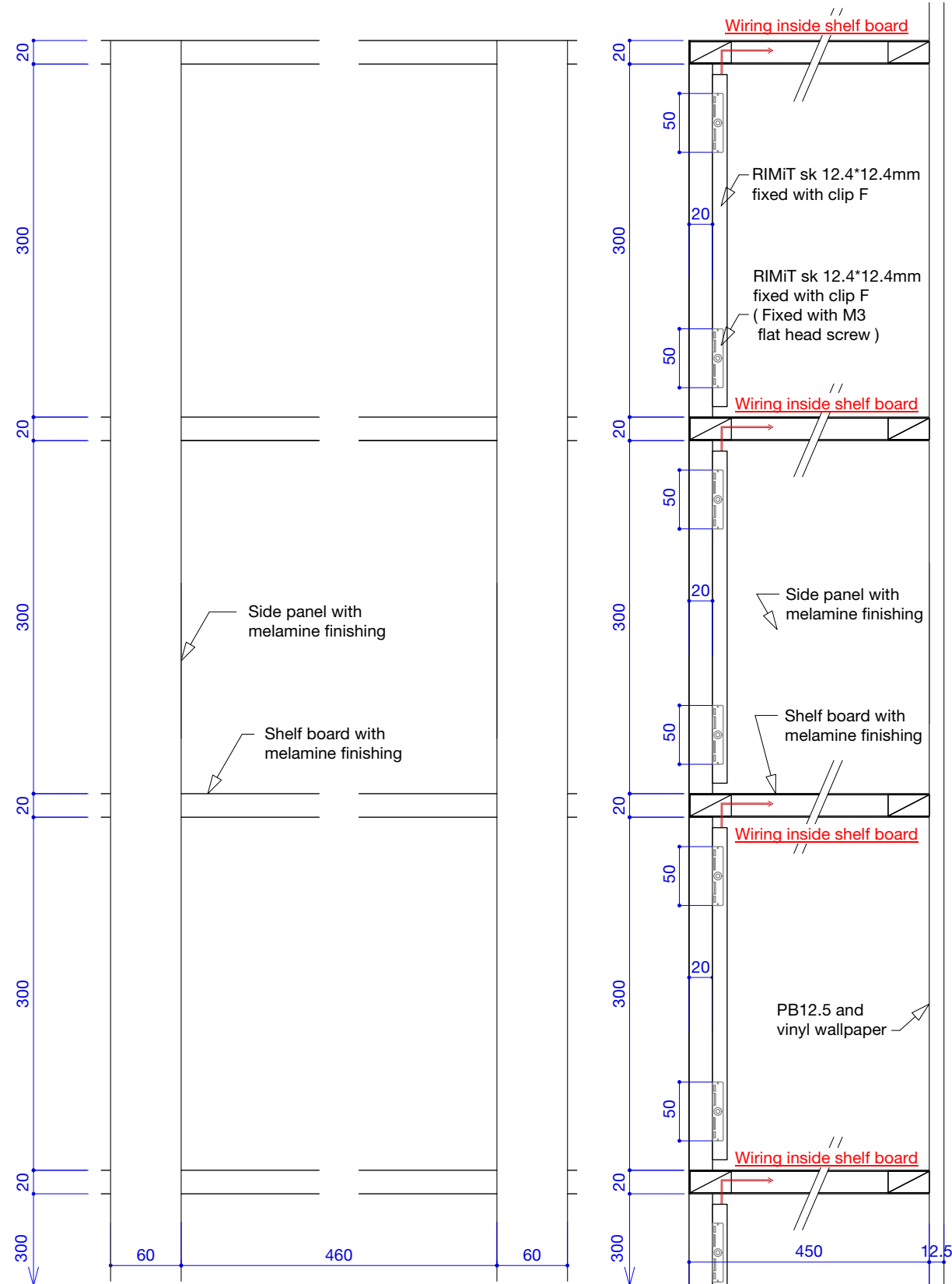
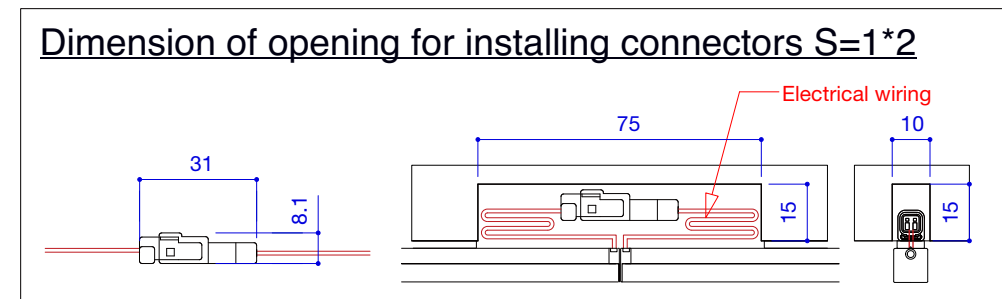


【Vertical front shelf lighting】

Drawing reference for fixture installation S=1/5, 1/2 (A3)

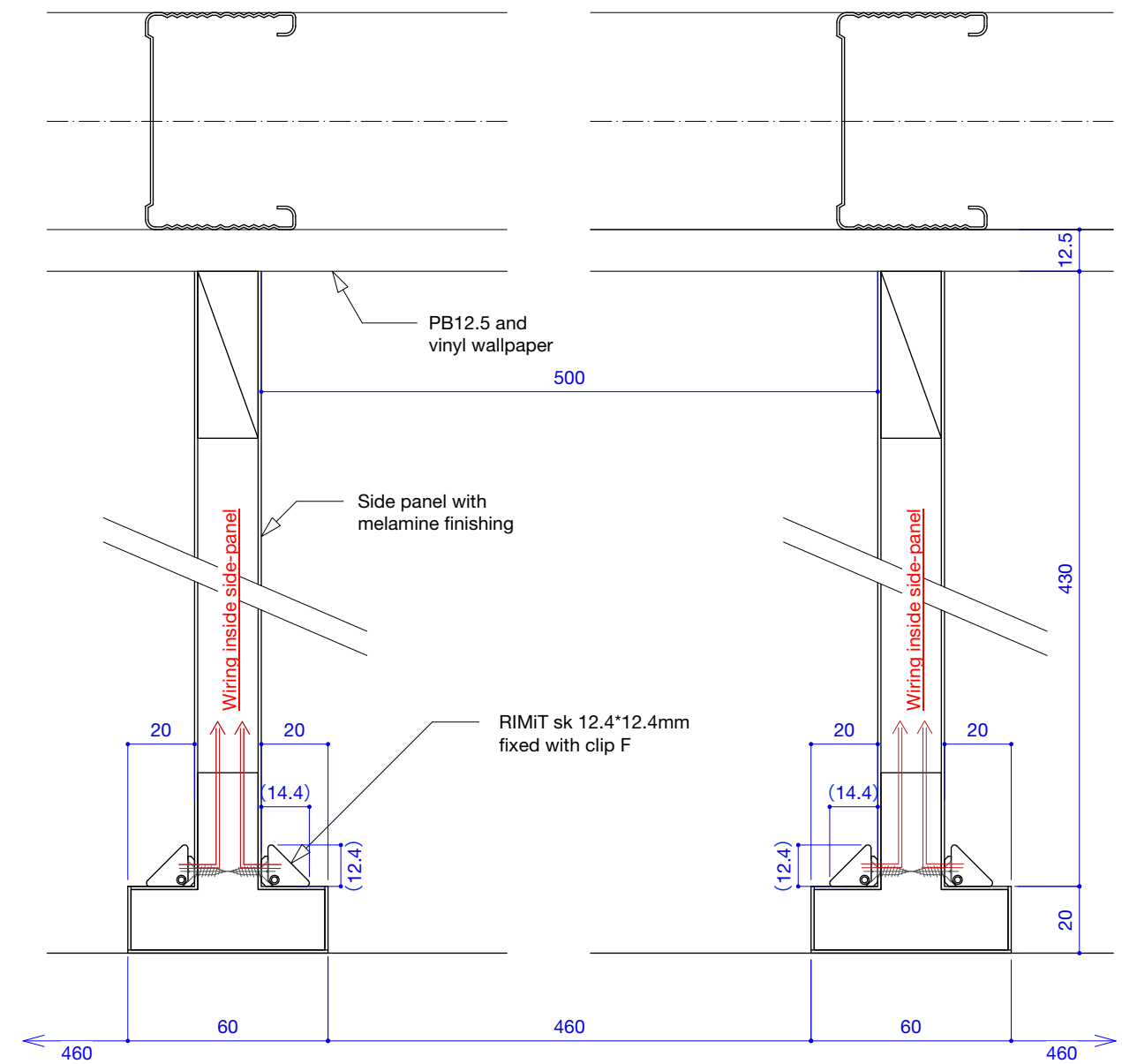
Benefits:

- Highly invisible space-saving luminaire with easy installation.
- Space is fully lit and evenly distributed at an angle simply by placing light fixtures in the corners.
- Enhancing the attractiveness of products on display with high-color rendering lighting.



Horizontal cross section detailed drawing

S=1:2

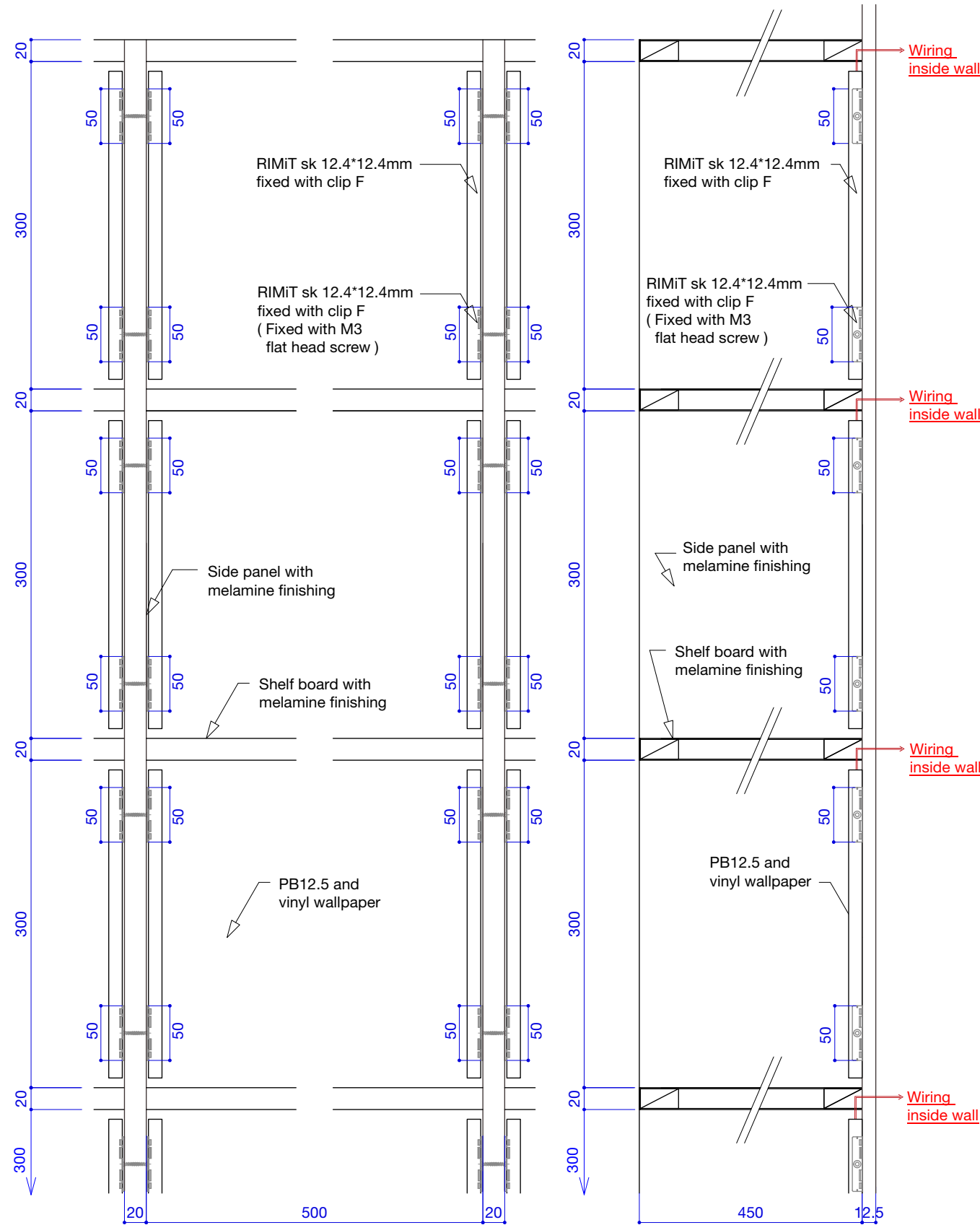
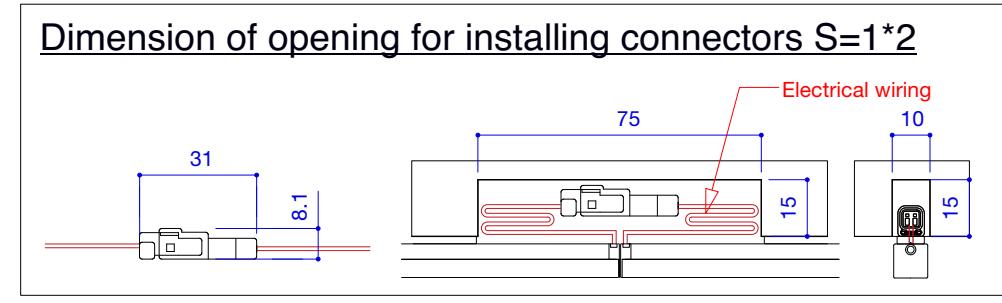


【Vertical back self lighting】

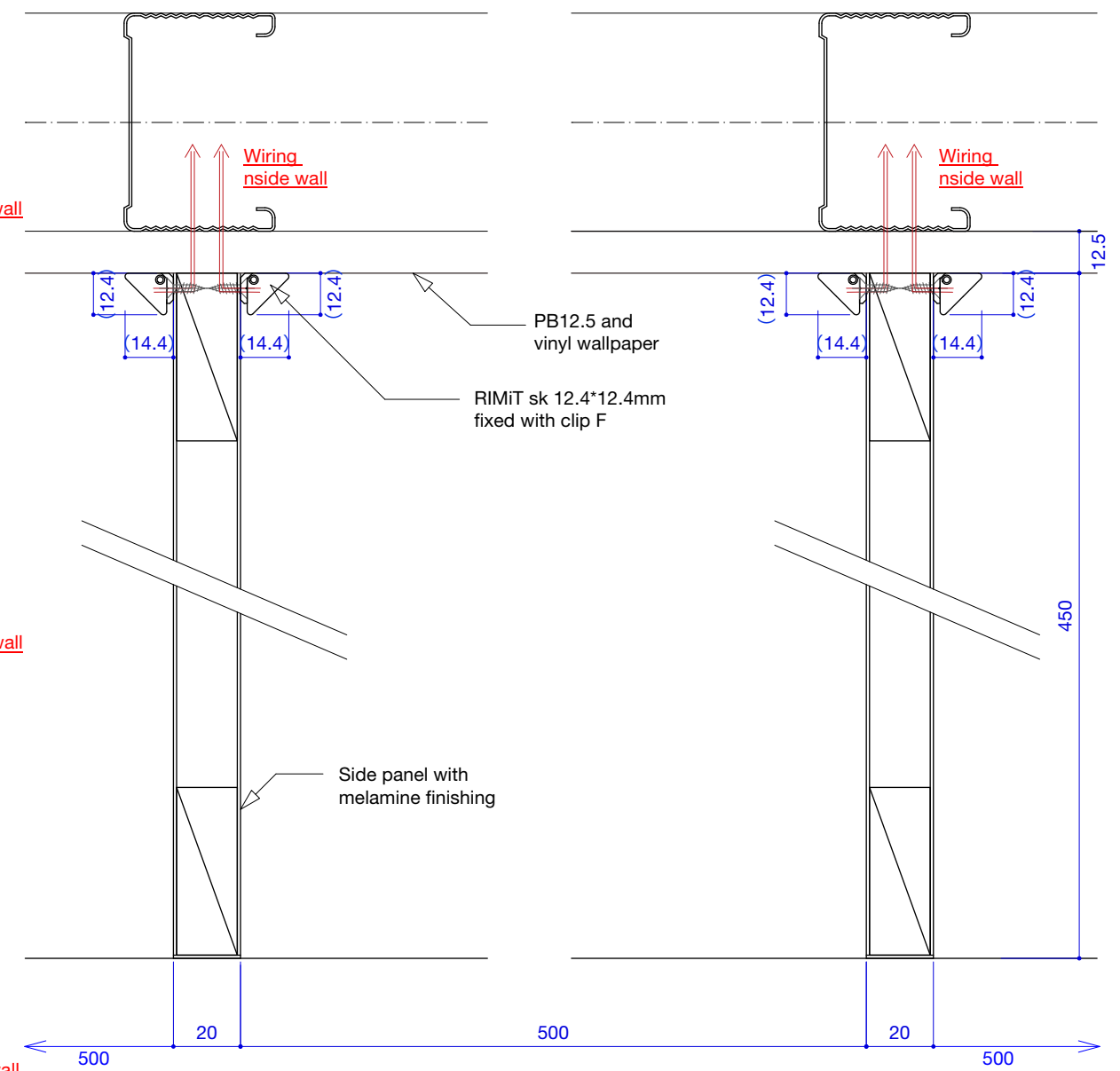
Drawing reference for fixture installation S=1/5, 1/2 (A3)

Benefits:

- Highly invisible space-saving luminaire with easy installation.
- Space is fully lit and evenly distributed at an angle simply by placing light fixtures in the corners.
- Enhancing the attractiveness of products on display with high-color rendering lighting.



Horizontal cross section detailed drawing S=1:2



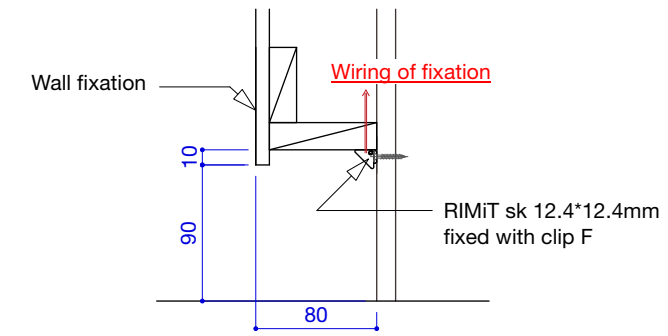
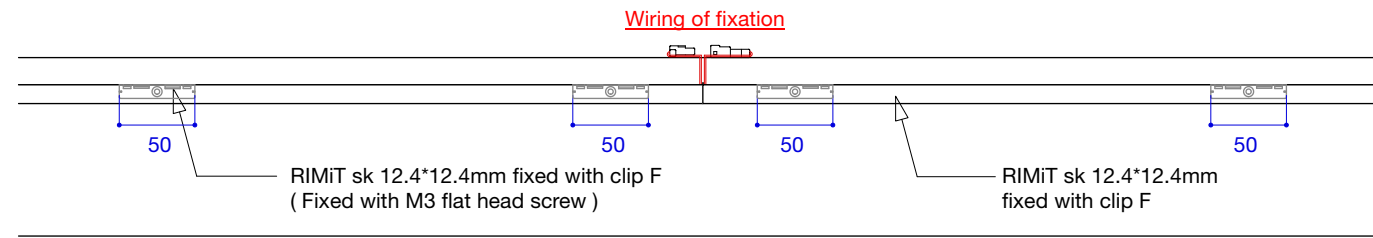
【Skirting / Foot light】

Drawing reference for fixture installation

S=1/5, 1/2 (A3)

Benefits:

- Highly invisible space-saving luminaire with easy installation.
- Space is fully lit and evenly distributed at an angle simply by placing light fixtures in the corners.
- Ideal not only for space presentation but also as induction lights.



Side section detail drawing

S=1:2

