

【 Mounting on wall surface 】

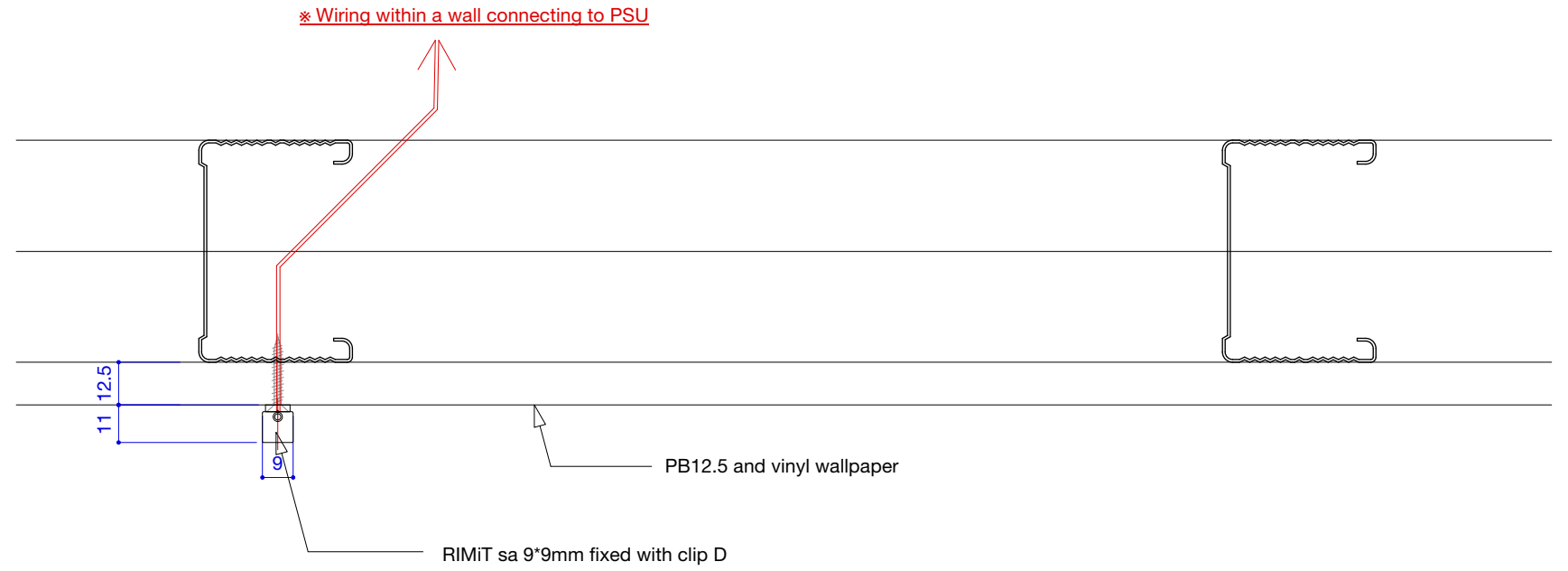
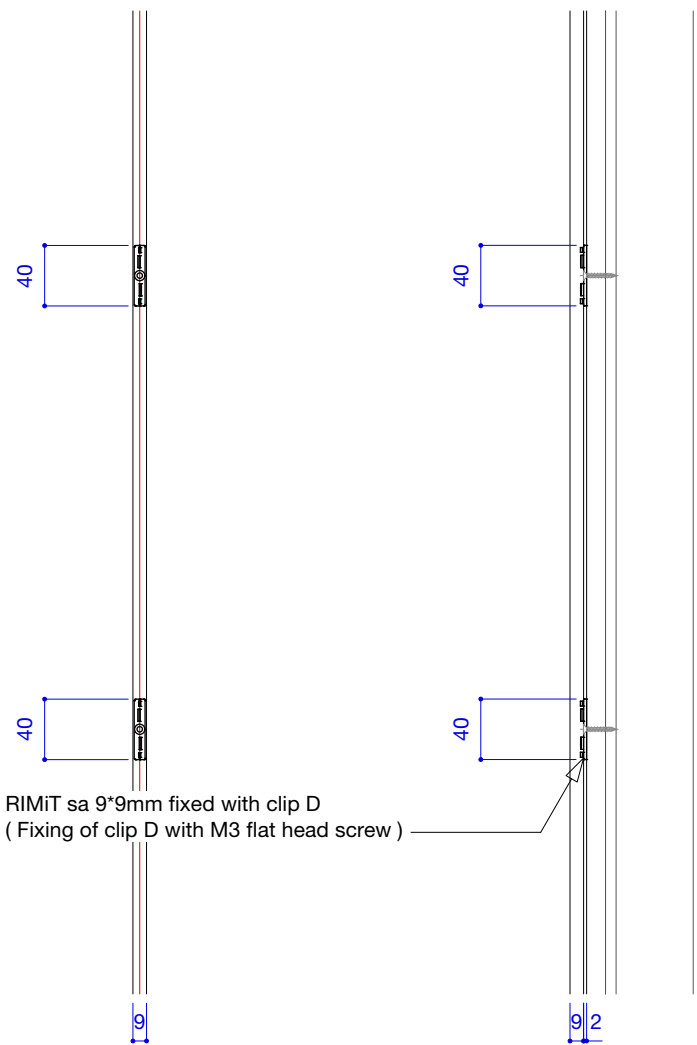
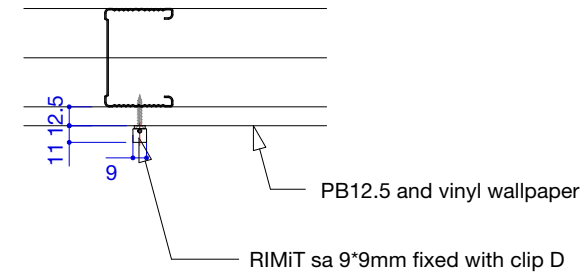
Drawing reference for fixture installation

S=1/5, 1/2 (A3)

Benefits:

- Highly visible from all directions due to three-sided luminescence.
- Ideal not only for spatial effects but also as a guiding light.

Horizontal cross section detail S=1/2



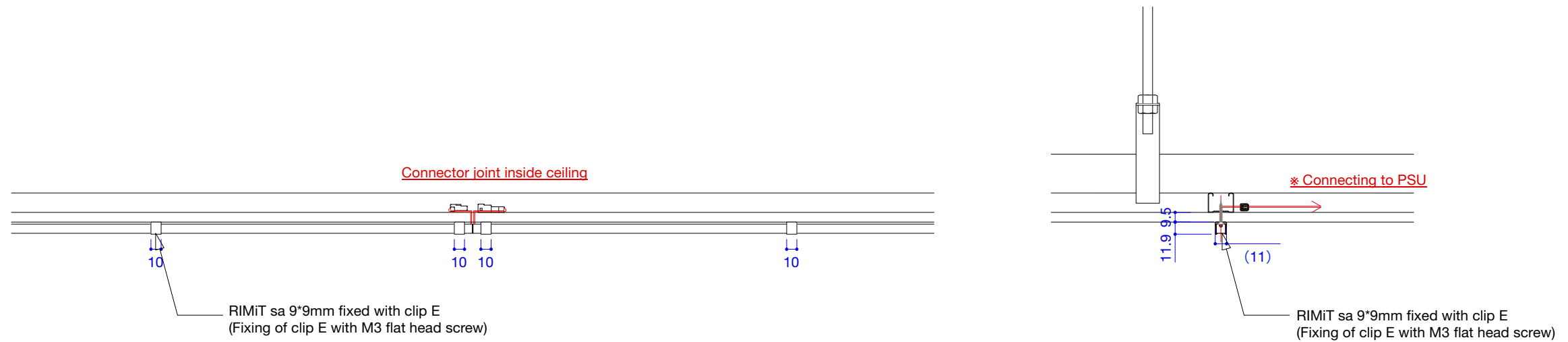
【 Mounting on ceiling surface 】

Drawing reference for fixture installation

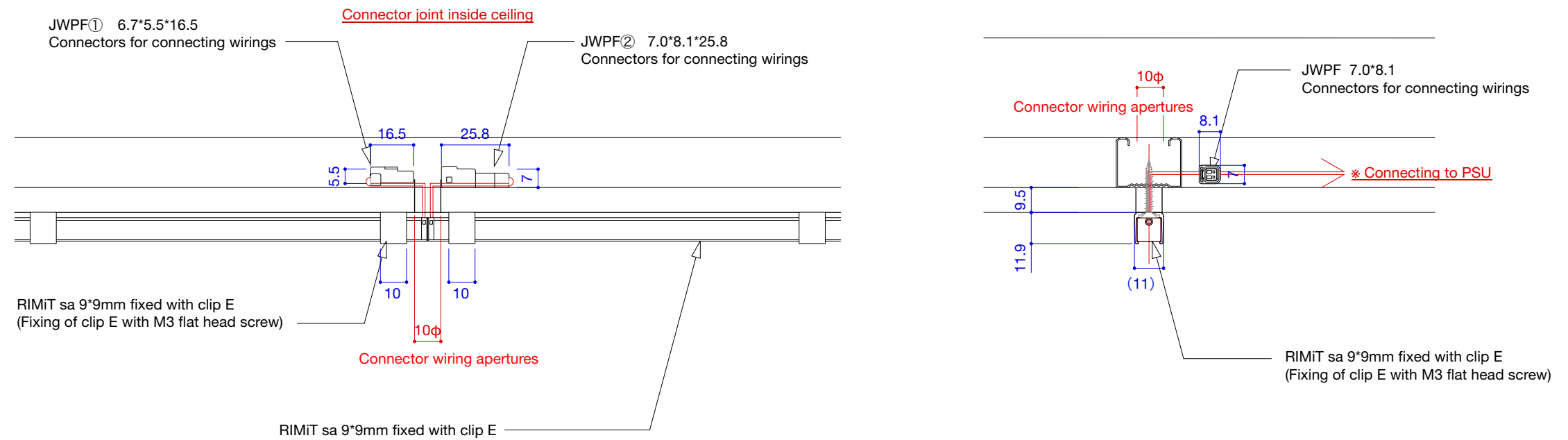
S=1/5, 1/2 (A3)

Benefits:

- Highly visible from all directions due to three-sided luminescence.
- Provide a visual separation of space instead of physical walls.



Cross-section detailed Drawing S=1:2



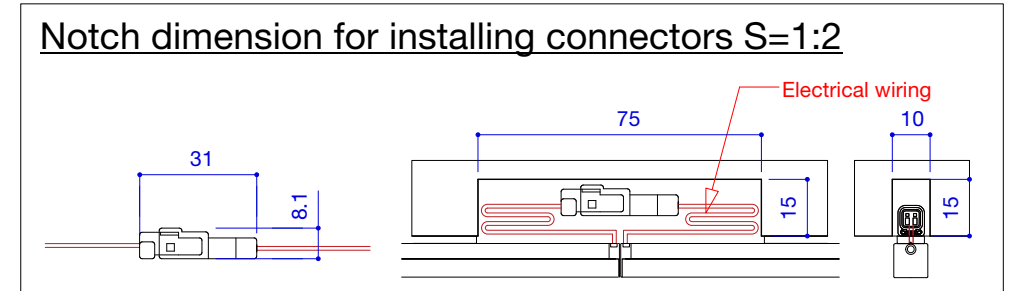
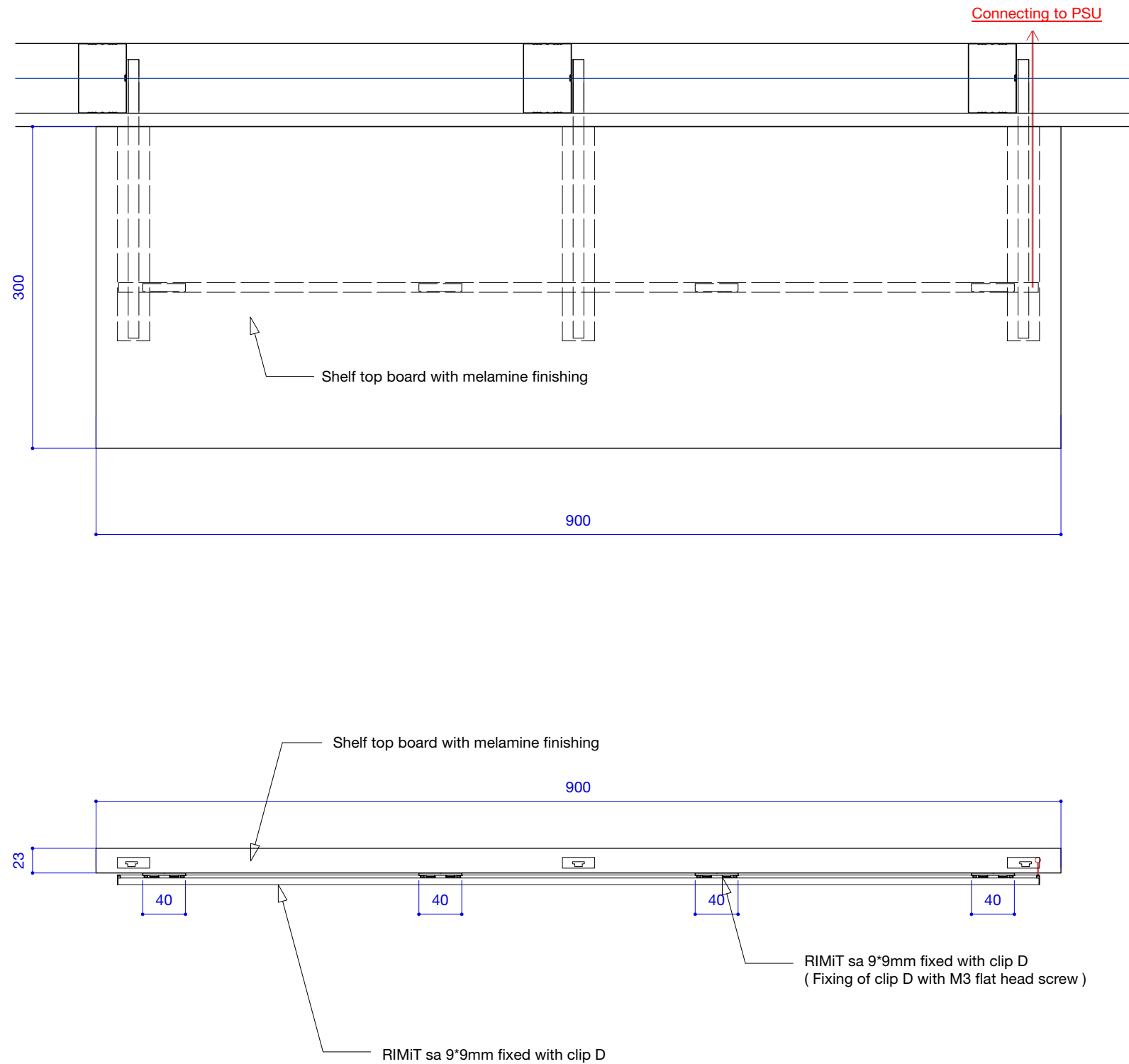
【 Shelf 】

Drawing reference for fixture installation

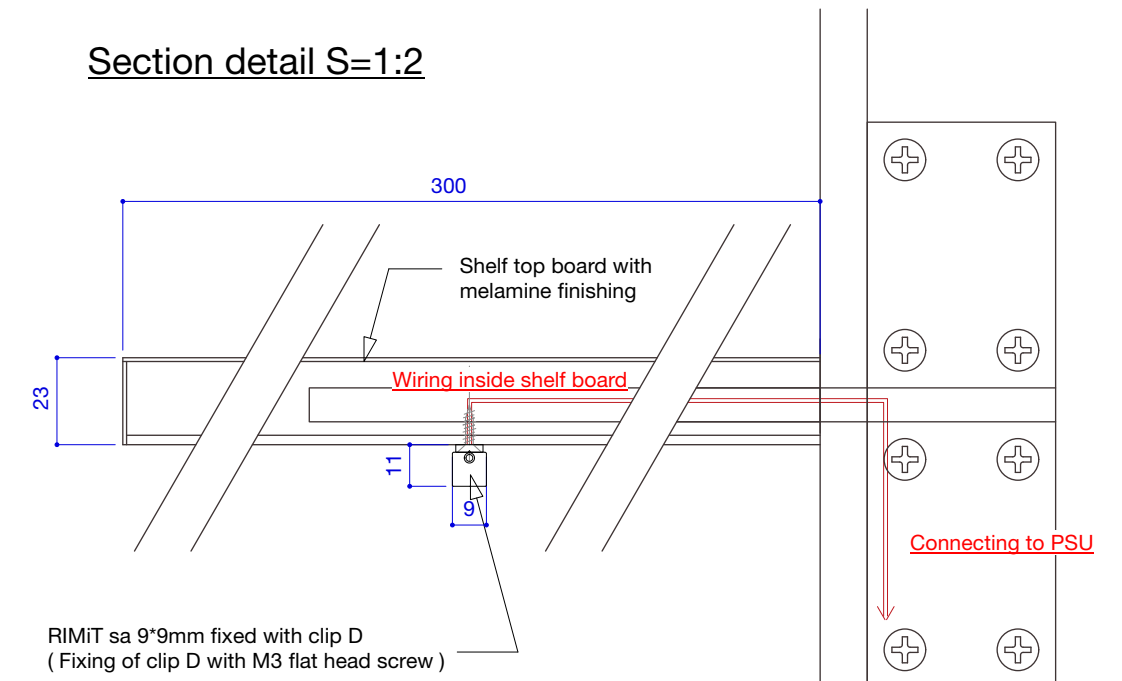
S=1/5, 1/2 (A3)

Benefits:

- Illuminate the entire underside of shelf with its wide light distribution.
- Enhance the line elements by creating horizontal lines of light which not only highlight the products on display, but also catch the attention of people passing by.



Section detail S=1:2



【 Pendant 】

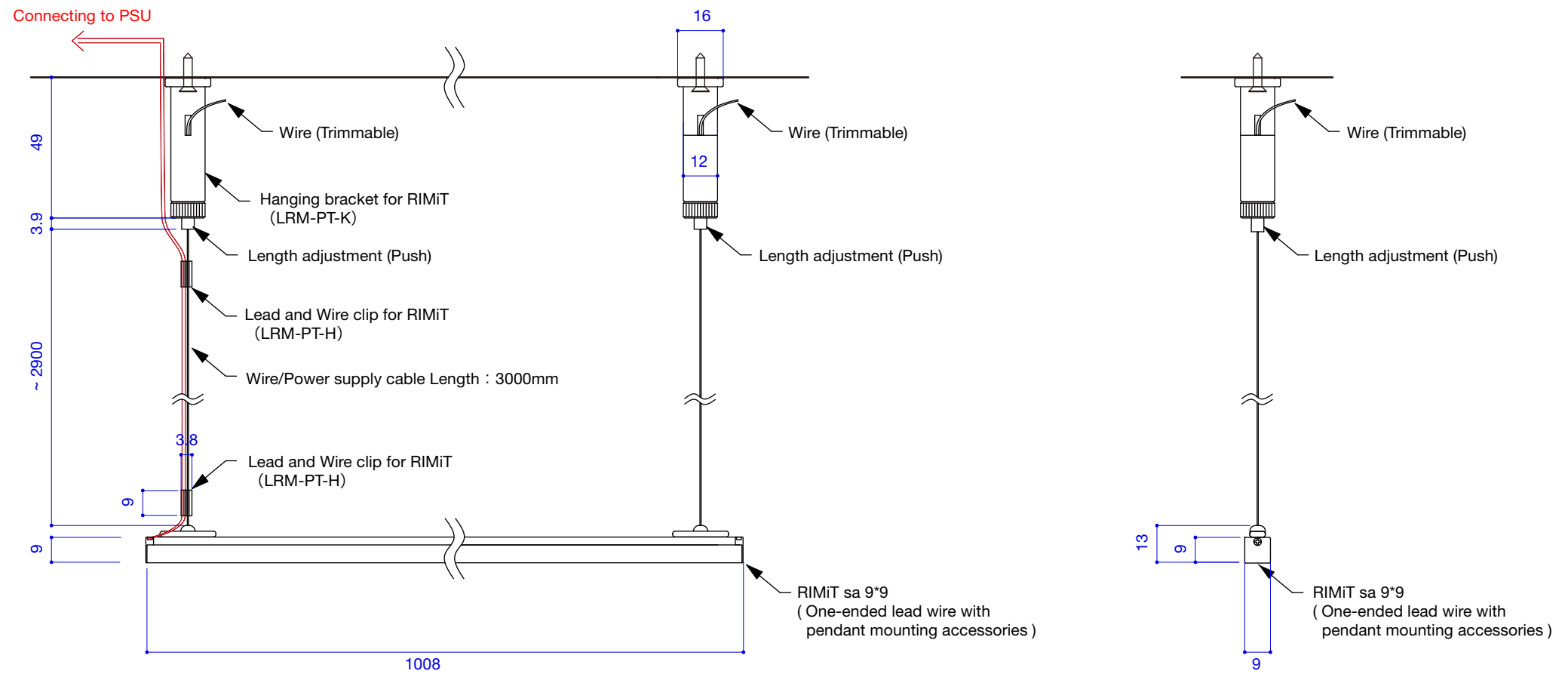
Drawing reference for fixture installation

S= 1/2 (A3)

Benefits:

- Mounting bracket for attaching pendants with screws is available.
- Height of pendant can be adjusted freely on site with 3000mm long wire and cable.

Cross-section detailed Drawing S=1:2



【 Pendant 】

Drawing reference for fixture installation

S= 1/2 (A3)

Benefits:

- Pendant mounting accessories available for anchor screws fitting.
- Height of pendant can be adjusted freely on site with 3000mm long wires and cables.
- Wire ends can be concealed behind the ceiling.
- Metal fittings are highly concealed behind the ceiling and are not easily noticeable.

Cross-section detailed Drawing S=1:2

