

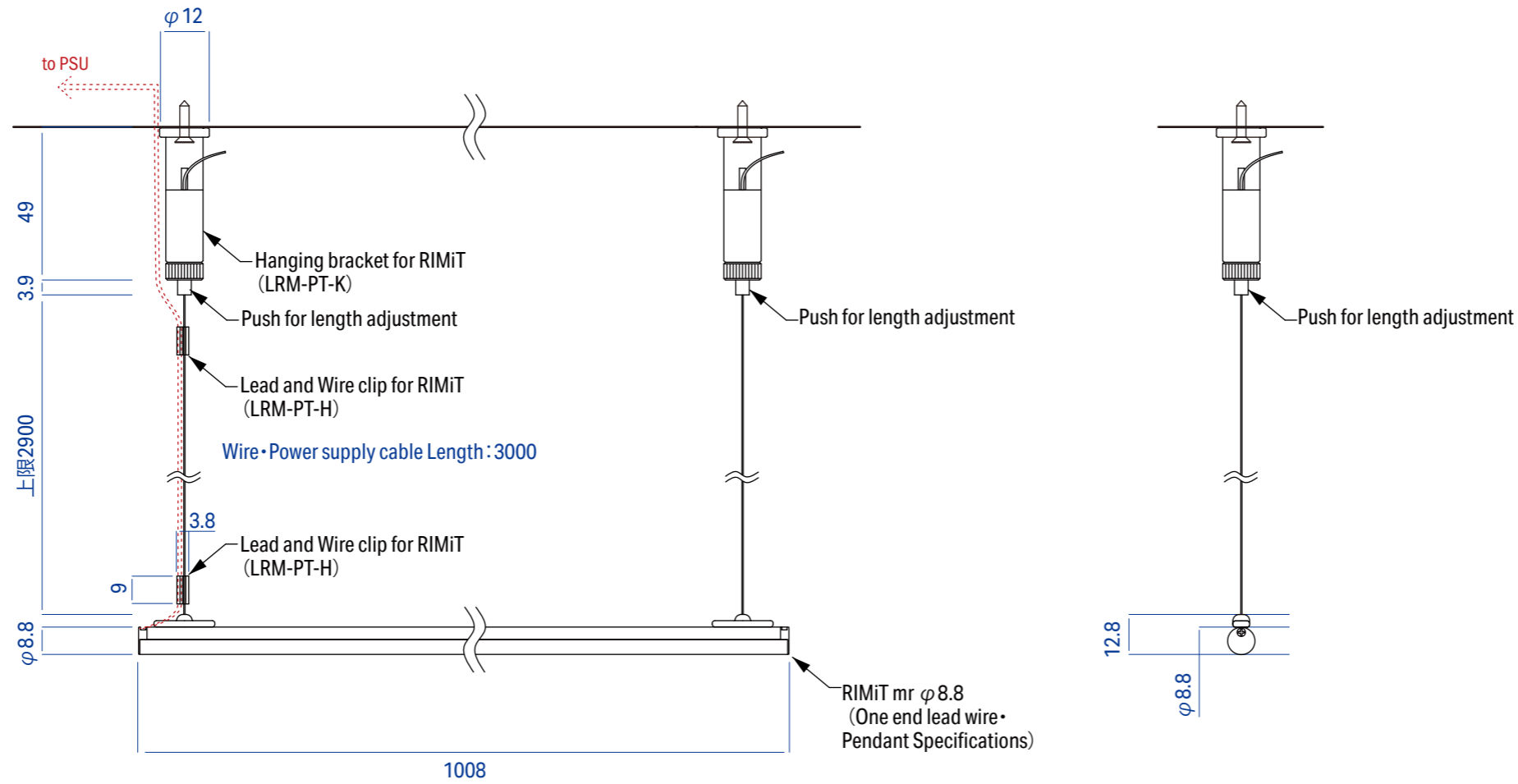
Ceiling pendant

- Mounting bracket for attaching pendants with screws
- Wire and cable 3000mm, so height can be adjusted freely on site

Lighting installation drawing for reference

Section detail S=1:2

Pendant Specifications : Releasing in Jan 2024

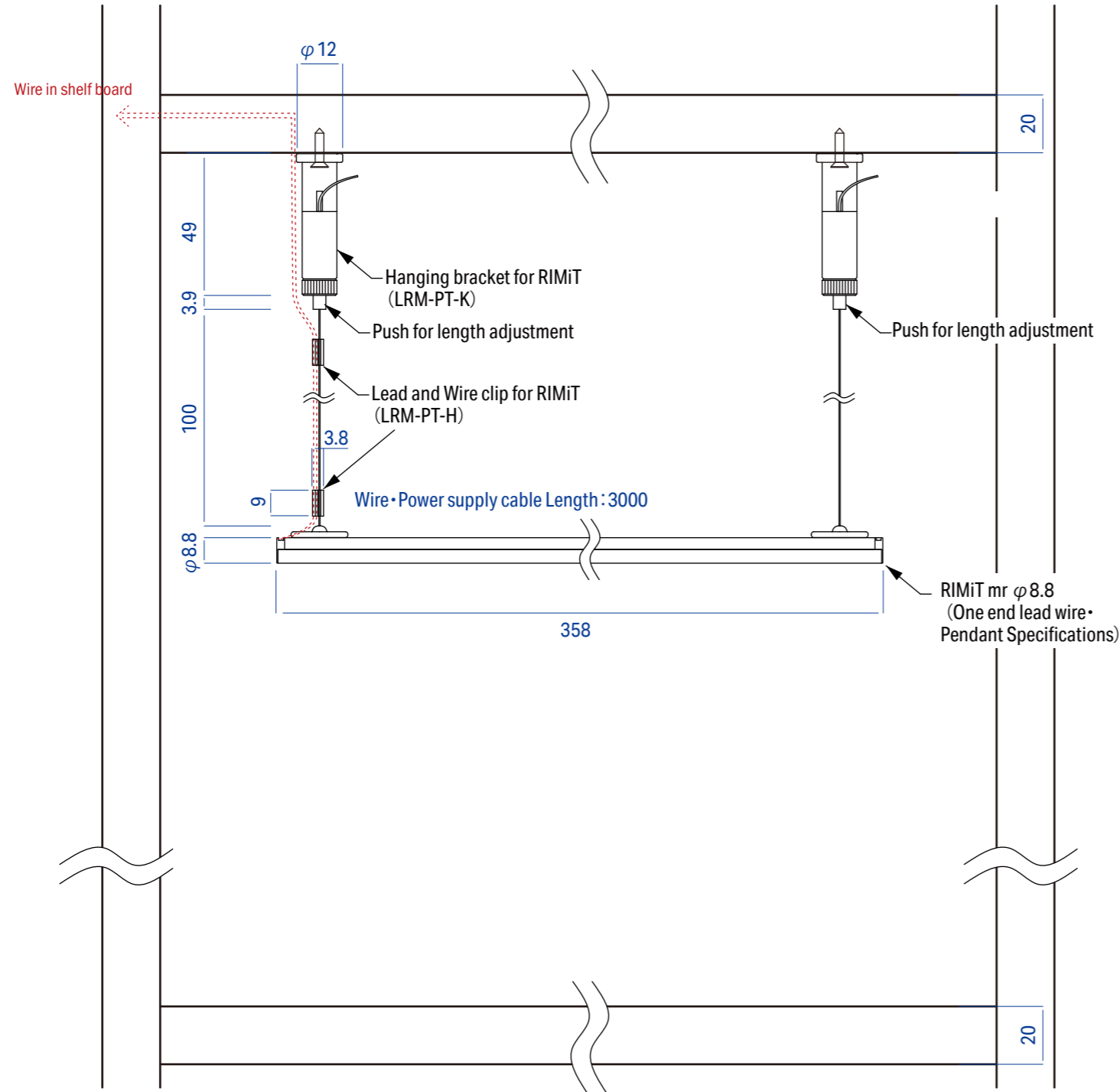


Pendant shelf

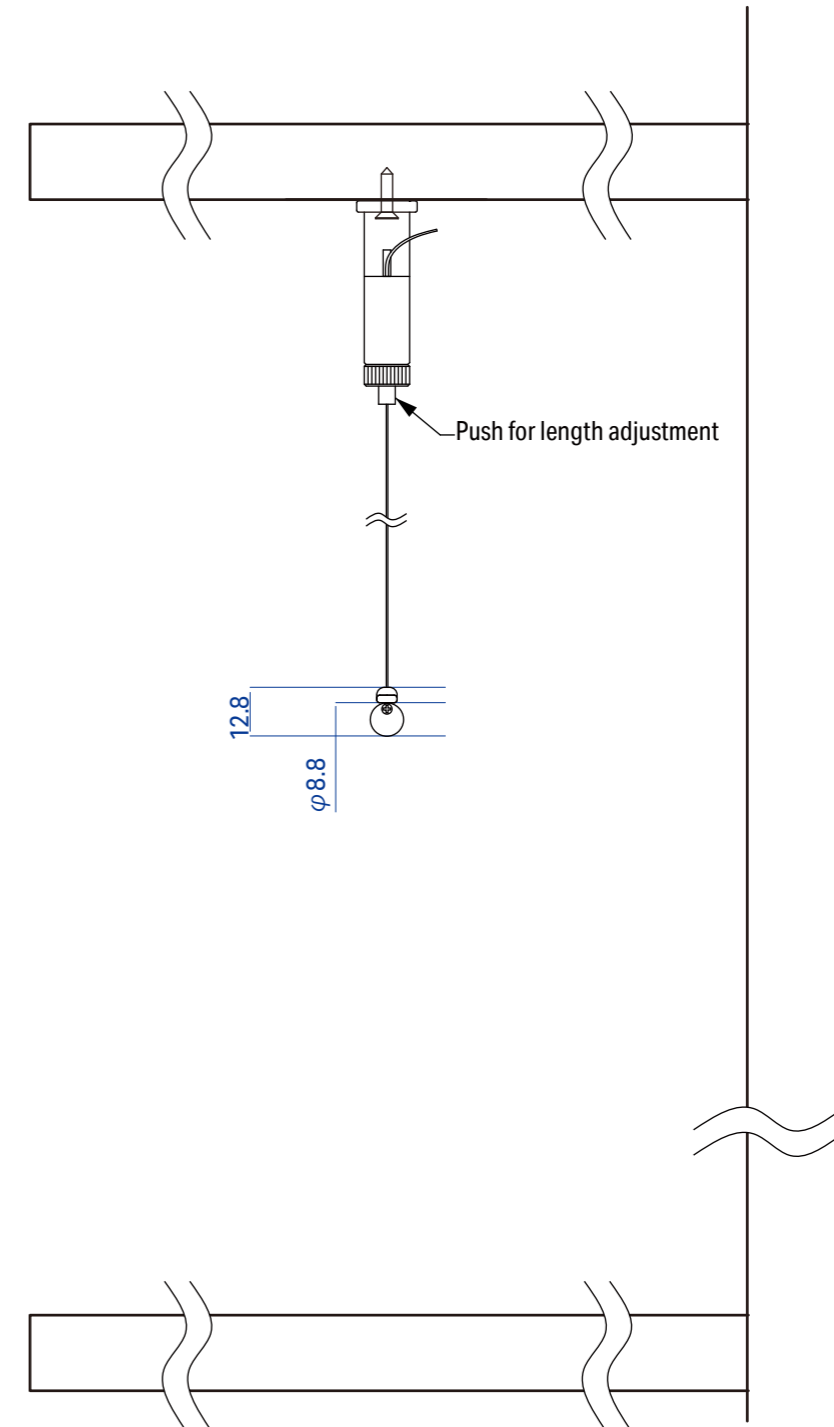
- Mounting bracket for attaching pendants with screws
- Luminaire length can be custom-made in 25mm increments from 108mm to 1008mm.

Lighting installation drawing for reference

Section detail S=1:2



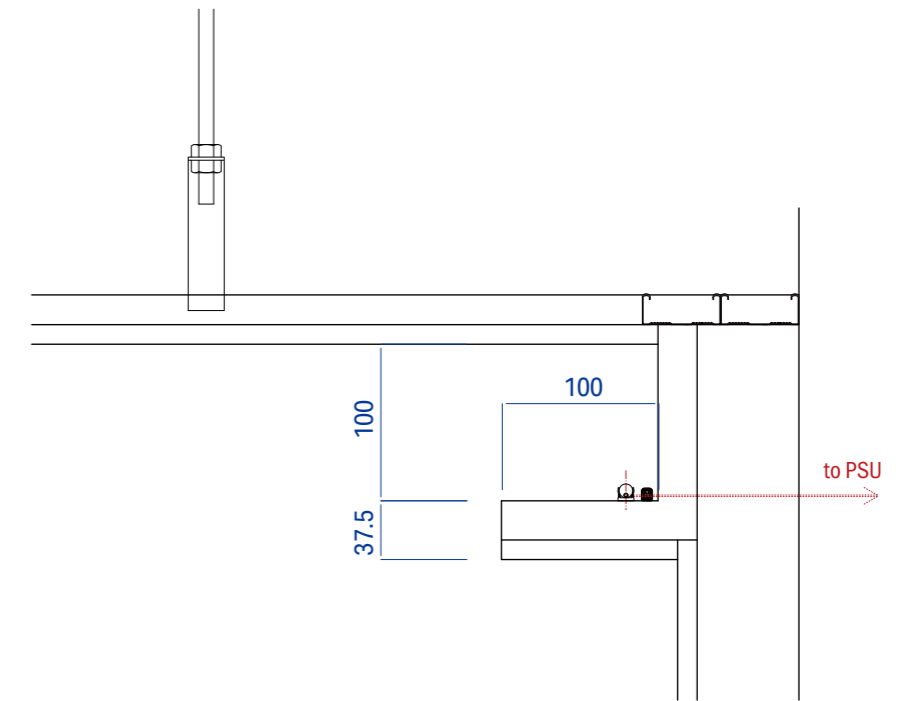
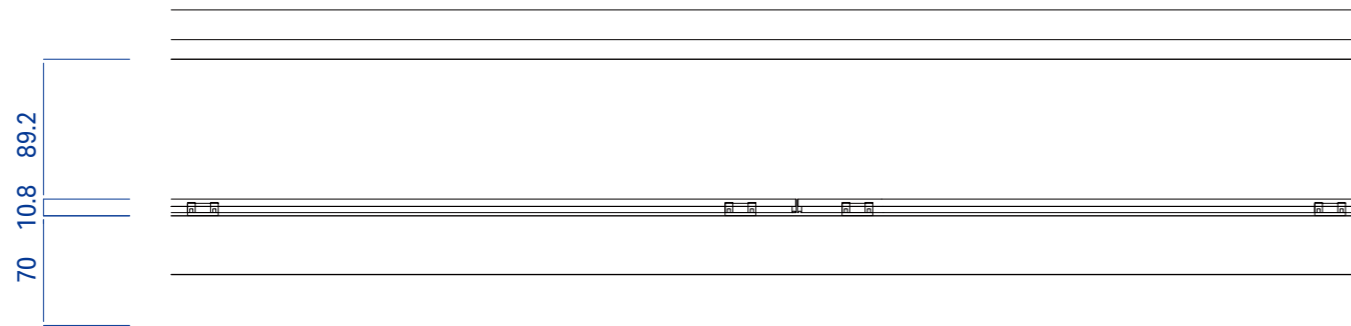
Pendant Specifications : Releasing in Jan 2024



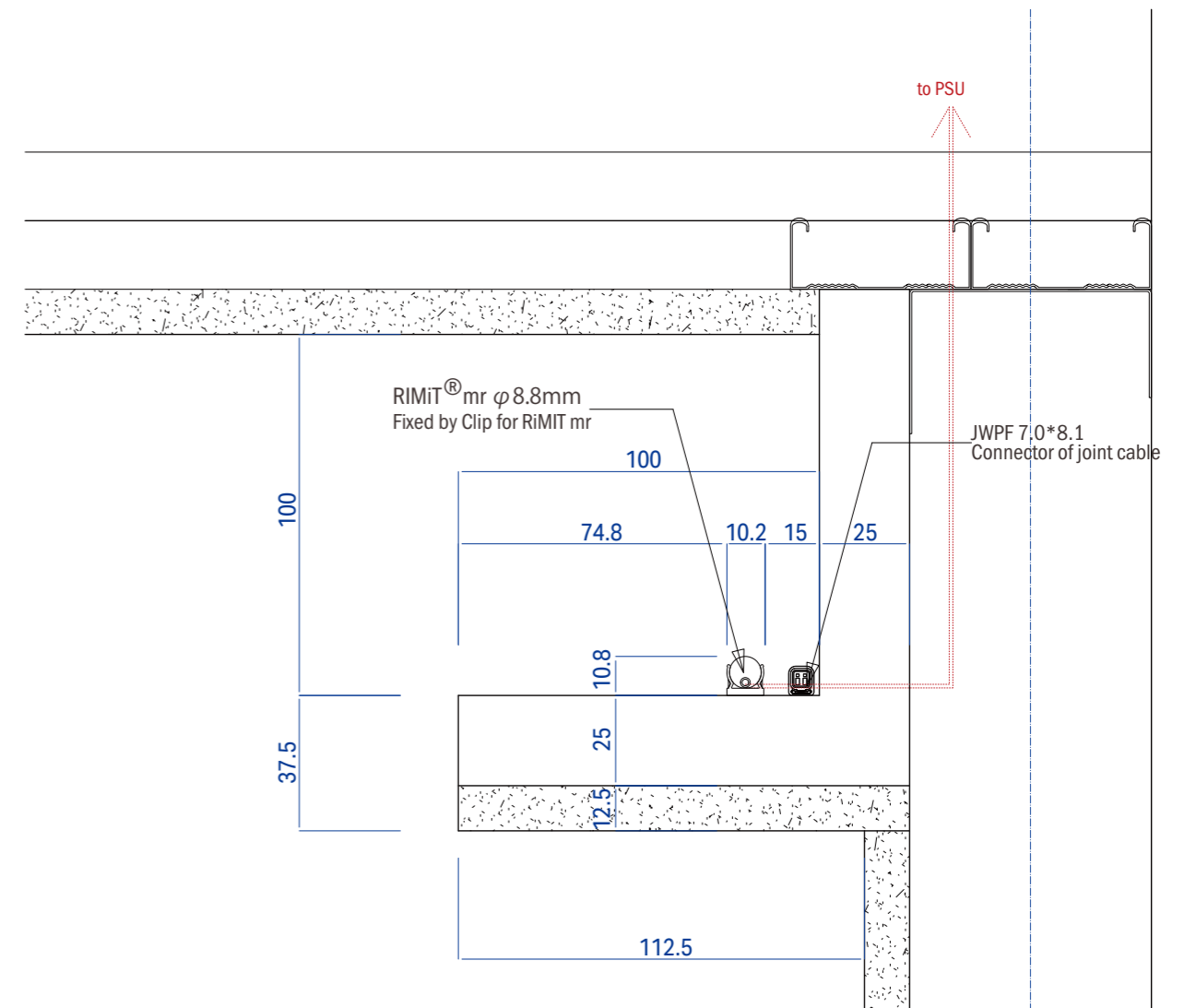
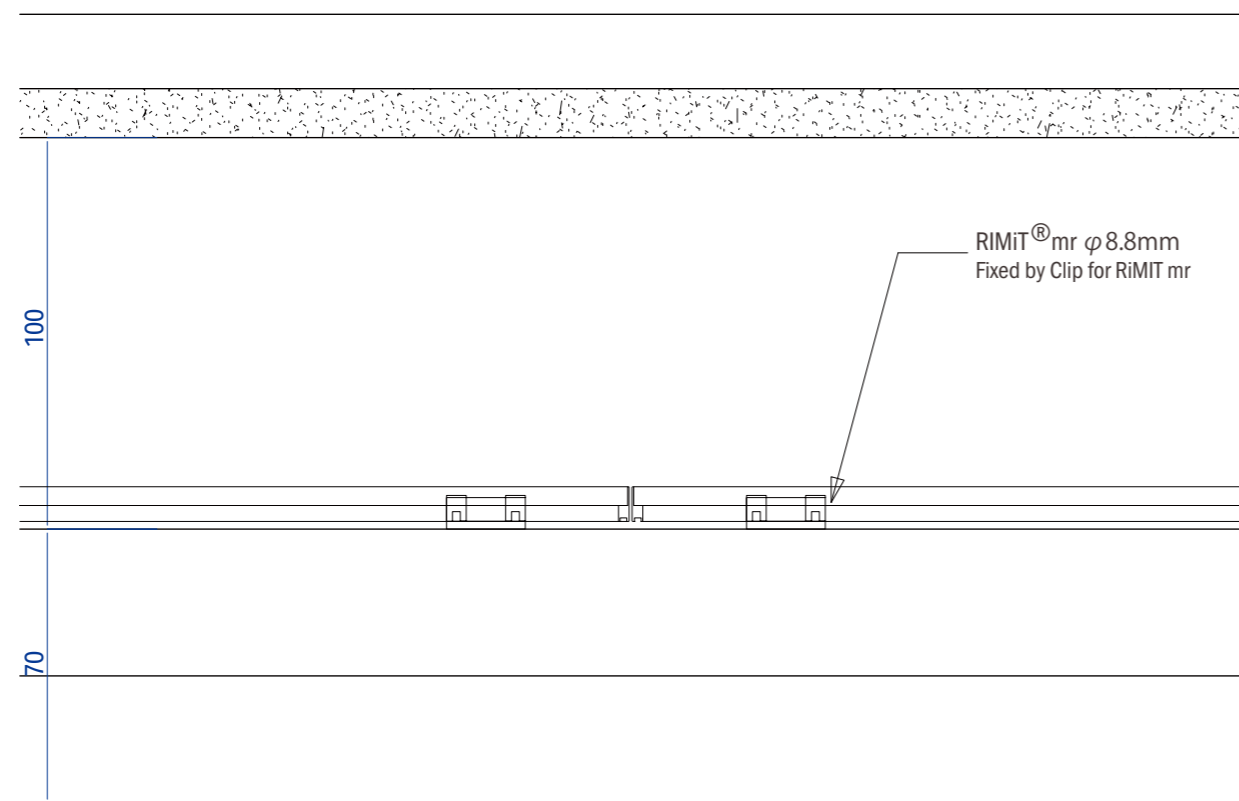
Ceiling cover

Mounting clip for 360° light distribution change after installation

Lighting installation drawing for reference



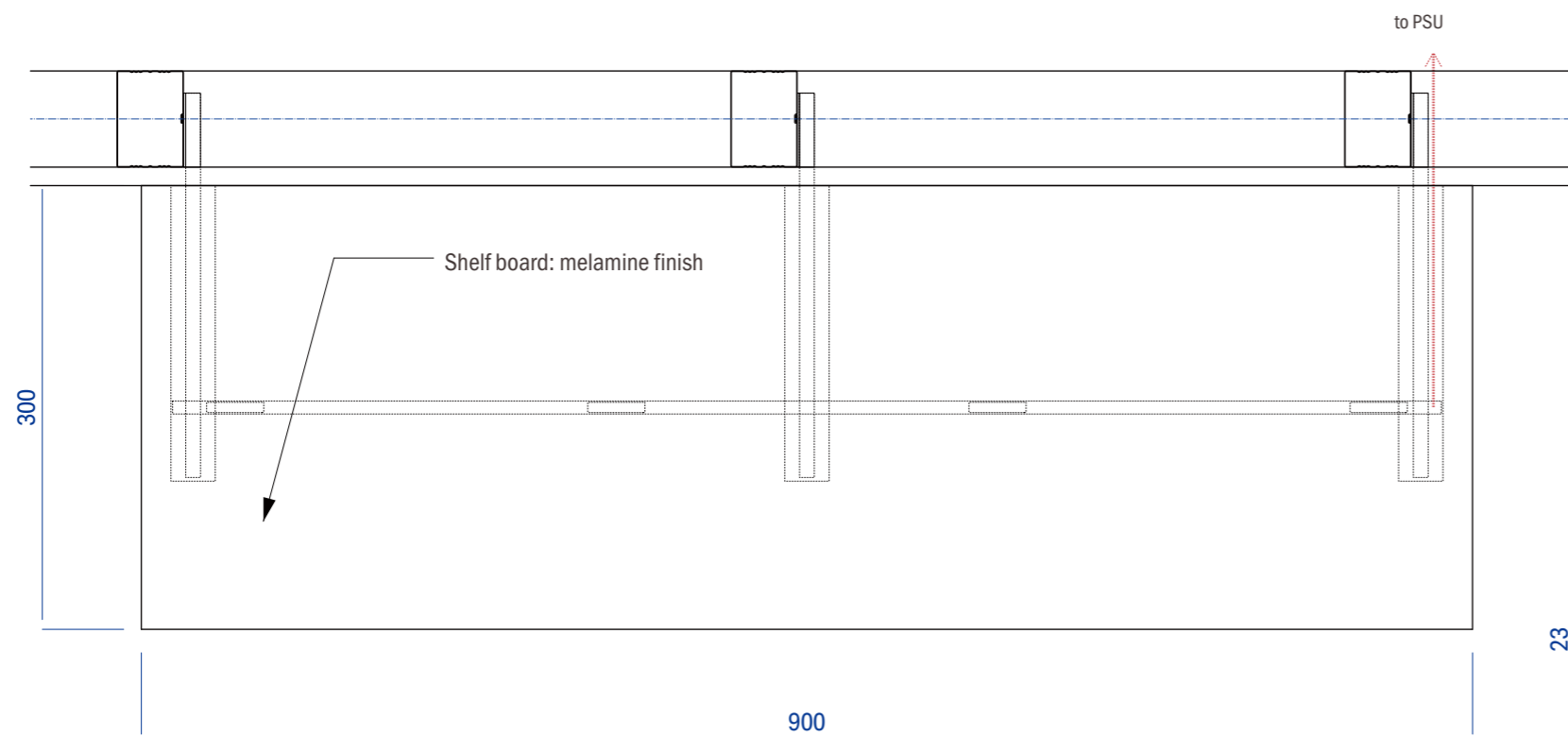
Section detail S=1:2



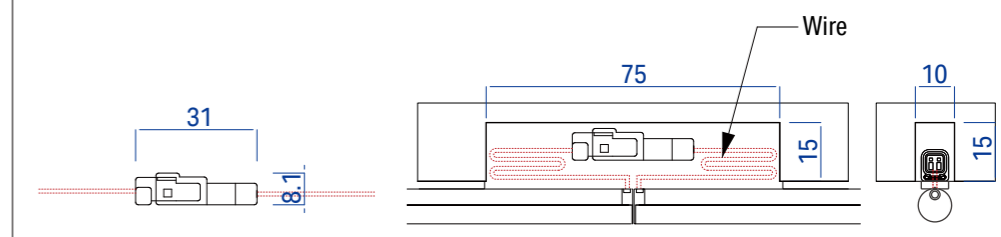
Under shelving

Wide light distribution allows mounting in the center of the shelf for uniform illumination of the entire shelf.

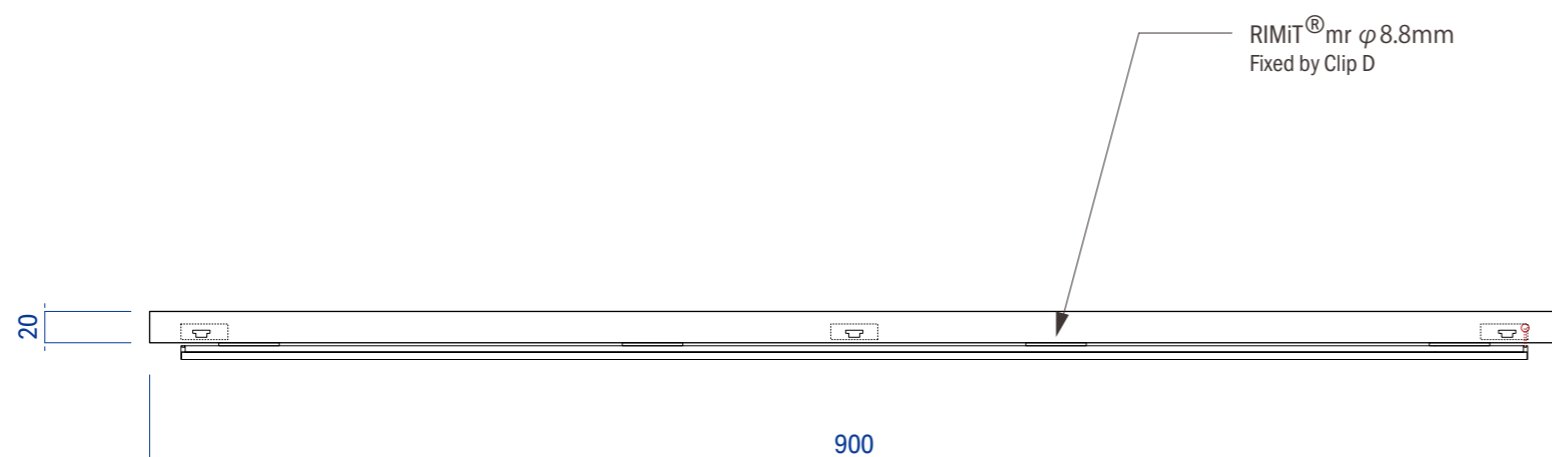
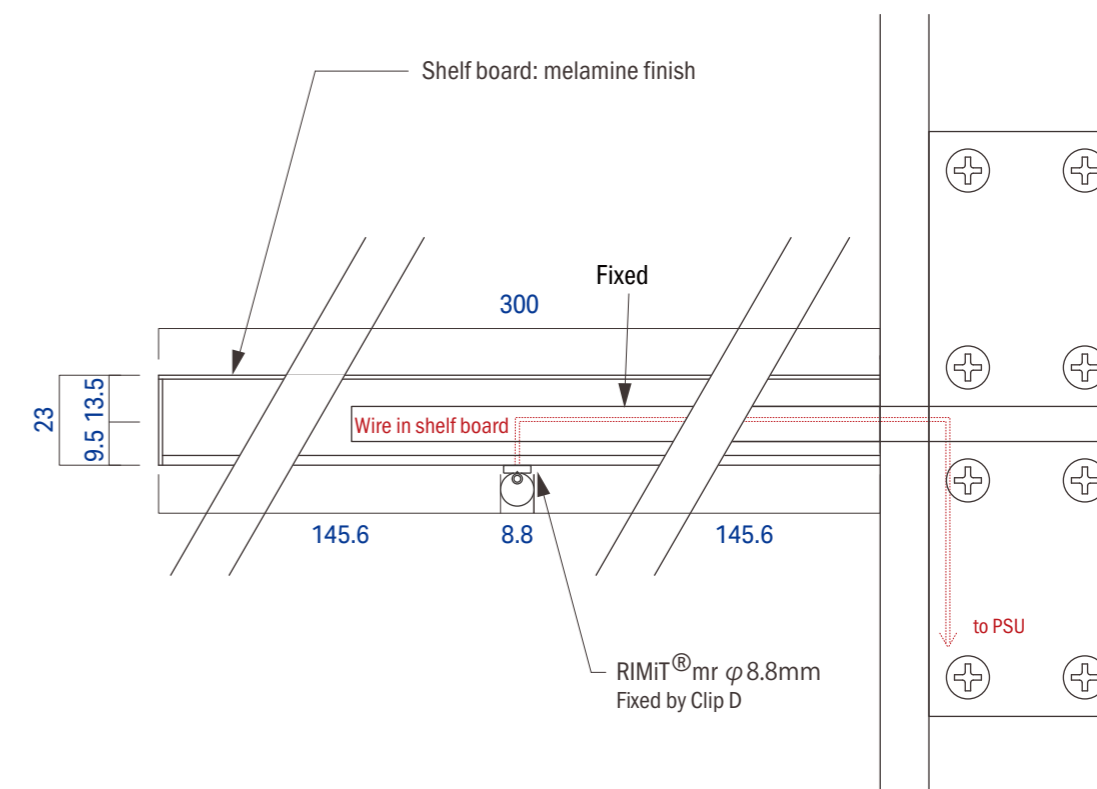
Lighting installation drawing for reference



Hole dimension for installing connector at joint S=1:2



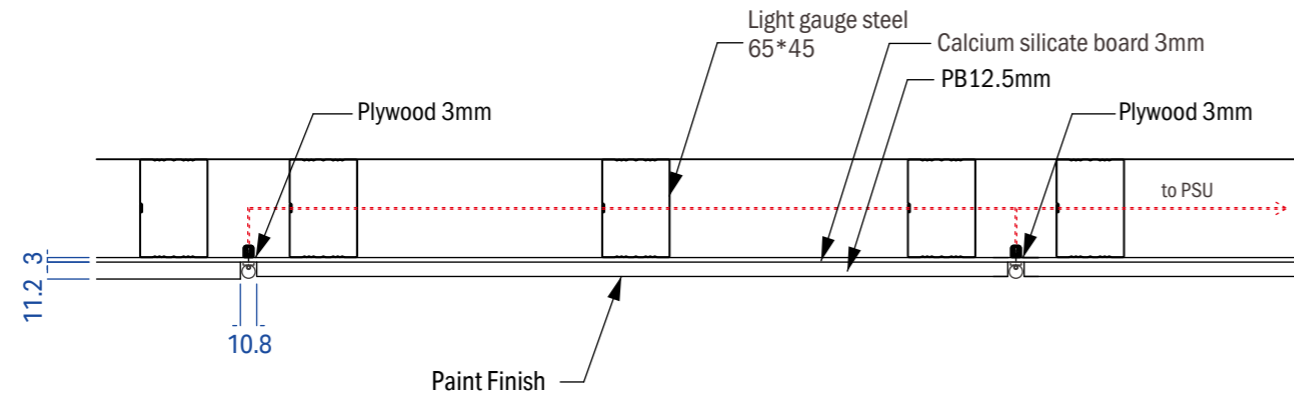
Section detail S=1:2



Recessed wall

Embeddable in a small gap with Clip D

Lighting installation drawing for reference



Hole dimension for installing connector at joint S=1:2

