

RIMiT series

Redesigned luminaire to go beyond the limit of the minimum size

RIMiT kk



KaKu

[Releasing in August 2023]

Square-shaped homogeneous linear light
with a height of 7.4mm only

60 different length variations



RIMiT kk



KaKu

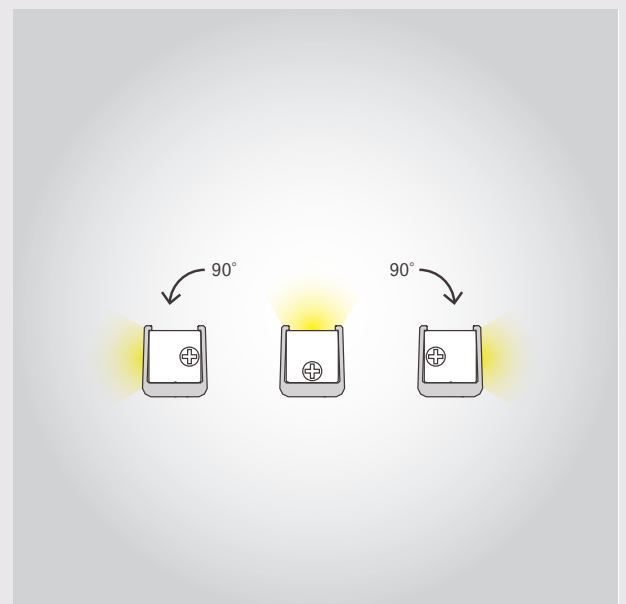
point
1

Square-shaped
homogeneous linear light
with a height of 7.4mm only



point
2

Adjustable light distribution



point
3

60 different length variations



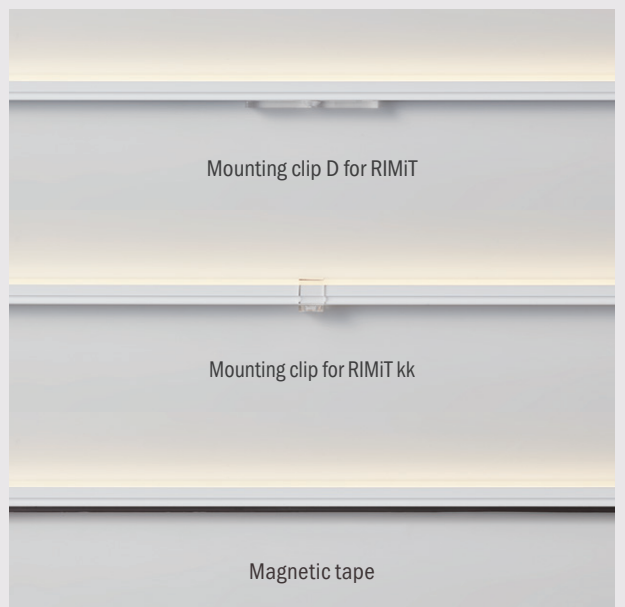
point
4

Light diffuses gently from
a wide angle distribution



point
5

Wide variation of
mounting options



Recommended applications

Luci RIMiT series is highly versatile and blends in with spaces in various applications.

Scan here to download detailed installation drawing

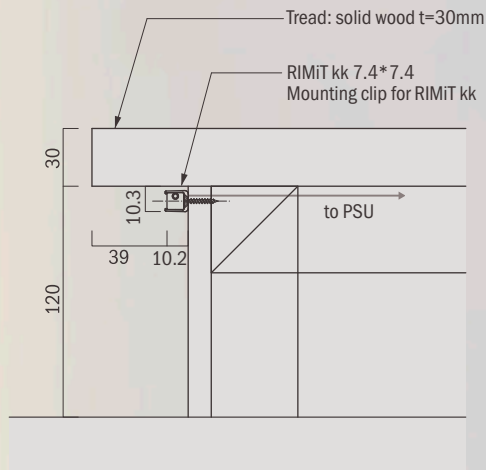


PDF



DXF

scene 1 Step light

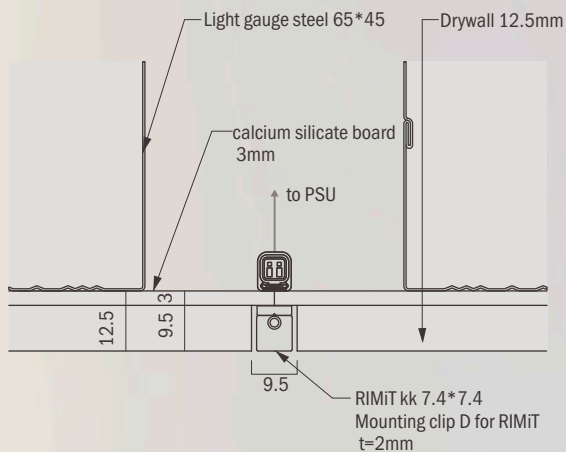


Light fitting can be rotated after installing with mounting clips to adjust the light distribution



Mr Horiuchi's residence / Construction: Arc Plus Co., Ltd.

scene 2 Wall (Recessed)



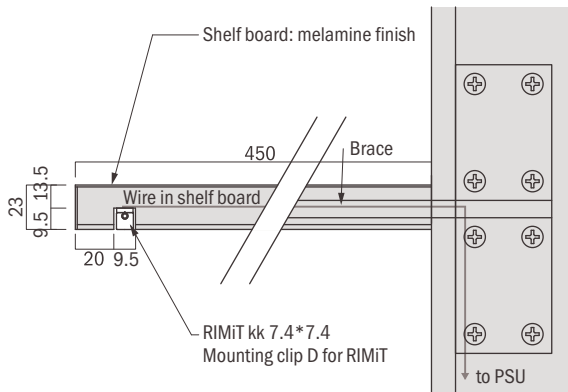
Seamless recessed installation with mounting clip D as it has the same width as light fitting



KUMAMOTO SHINTO General Hospital / Architect office: MATSUO Corporation / Lighting Design: MATSUO Corporation / Lighting Art Construction: MYSA Co., Ltd. / Photo: MYSA Co., Ltd.

scene 3 Shelf (Recessed)

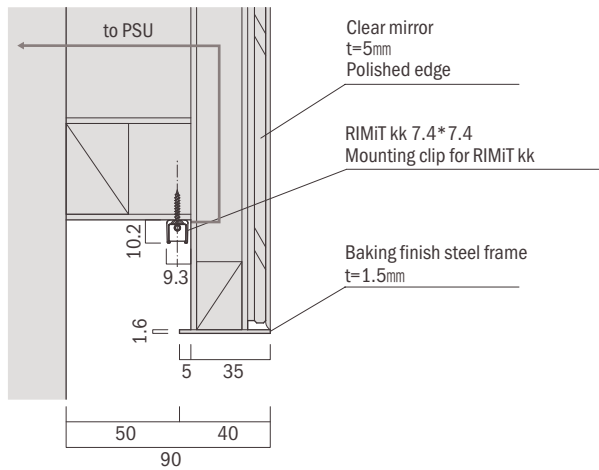
Seamless recessed installation with mounting clip D as it has the same width as light fitting



Futakamiya exhibition place / Architect office: Nakamura Design Office / Lighting Design: ModuleX Inc. / Construction: THINK VISION / Photo: Nacása & Partners Inc.

scene 4 Mirror back

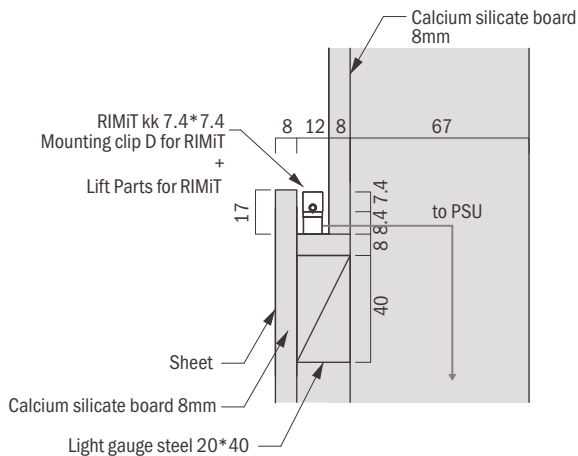
Light fitting can be rotated after installing with mounting clips to adjust the light distribution



Mr Horiuchi's residence / Construction: Arc Plus Co., Ltd.

scene 5 Wainscot uplight

Lift clips can be used for hiding the connector behind the light fitting



Seafood Paradise

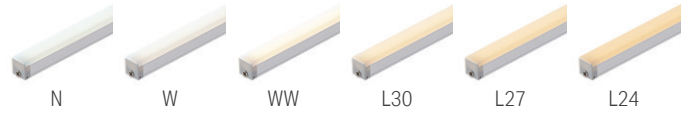
LRMKK-T

Color management
MacAdam 3 step



1 years warranty

- Compact 7.4 mm square cross-sectional size
- Custom lengths available in every 25mm increment, up to 1508mm
- Selectable between both and one side cable feed, open end or connector



Model No. (Open end)

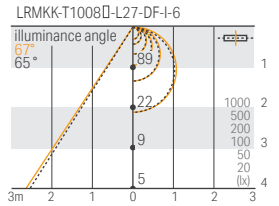
LRMKK -T - - DF - I - 6

Model No. (Connector)

LRMKK -T - - DF - I - 6 (C)

Product Name	Length / Lead wire	Light source color	Cover Type	Wattage	Connector
LRMKK	Refer to Custom order length W: Both ends S: One end	N : Natural white W : White WW : Warm white 3500K L30 : Warm white 3000K L27 : Warm white 2700K L24 : Warm white 2400K	DF: Diffuser Environment: I: Indoor	6: 6.4W/m	(C): Connector

Light Intensity Refer to P.12



Specification

Model No.	Open end	Connector
	LRMKK-T1000 S/W- <input type="text"/> -DF-I-6	LRMKK-T1000 S/W- <input type="text"/> -DF-I-6 (C)
Power consumption	6.4 W/m	
Fitting length(L)	33 to 1508mm (Refer to Custom order length)	
Weight	76g / 1008 mm	
Luminaire efficacy(2700K)	52.5 lm/W	
Light source color	Delivered CCT	○ = Device inventory
N 5000K Ra 94	4600K	○ 394 lm
W 4000K Ra 92	3700K	○ 380 lm
WW 3500K Ra 94	3300K	○ 351 lm
L30 3000K Ra 92	2900K	○ 341 lm
L27 2700K Ra 92	2600K	○ 334 lm
L24 2400K Ra 91	2400K	○ 306 lm

Specification may be subject to change without announcement. The optical data provided on the each product pages are for reference only; the data values are not guaranteed. Please use as reference materials for your planning.

General Specification

Input voltage	DC24V
Environment	Indoors (no condensation)
Max. length Per circuit	3.5m
Material (body)	Polycarbonate, Aluminum
Attachments	-
Option parts	① Mounting clip for RIMiT us ② Lift Parts for RIMiT ③ Magnet set A ④ Cable 5M TR Connector ⑤ Magnetic tape ⑥ double-sided tape
Certification	CE
Dimmable	Yes (0-10V/1-10V, DMX, DALI, PWM)
Power Supplies	Required

Max. connectable length per power supply

Length of LED fixture (70% loading factor) *: split into multiple circuits	Power supply
6.4 W/m	
~5.4 m*	50W power supply
~10.9 m*	100W power supply
~16.4 m*	150W power supply

Model No.

LRMKK - T - - **DF** - **I** - **6** **(C)**

Product name	Length	Lead Wire	Light source color	Cover type	Environment	Wattage	Connector
Refer to "Custom order products size"		W Both ends lead wire S One end lead wire	N Natural white 5000K W White 4000K WW Warm white 3500K 3500K L30 Warm white 3000K 3000K L27 Warm white 2700K 2700K L24 Warm white 2400K 2400K	DF Diffuser	I Indoor	6 6.4W	(C) Connector

External dimension

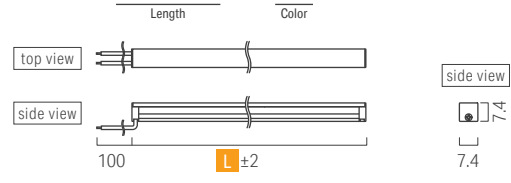
Luci RIMiT kk Indoor / **W** Both ends lead wire, Open end

LRMKK - T **W** - - **DF - I - 6**



Luci RIMiT kk Indoor / **S** One end lead wire, Open end

LRMKK - T **S** - - **DF - I - 6**



Luci RIMiT kk Indoor / **W** Both ends lead wire, **(C)** Connector

LRMKK - T **W** - - **DF - I - 6 (C)**



Luci RIMiT kk Indoor / **S** One end lead wire, **(C)** Connector

LRMKK - T **S** - - **DF - I - 6 (C)**

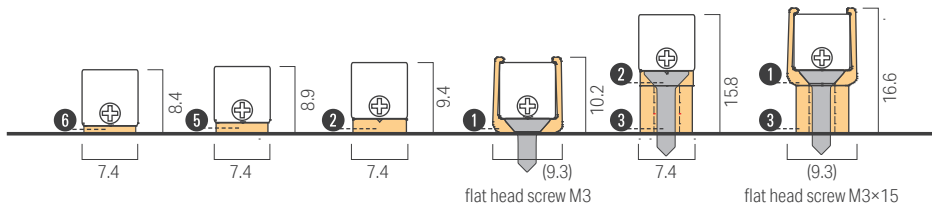


Custom order products size

Length	Fitting length	Power consumption	Mounting Clip
<input type="text"/>	L	(W)	
0033	32.2	0.2	1 pcs
0058	57.2	0.3	
0083	82.2	0.5	
0108	107.2	0.6	
0133	132.2	0.8	2 pcs Recommended pitch 60 to 230mm
0158	157.2	1.0	
0183	182.2	1.1	
0208	207.2	1.3	
0233	232.2	1.4	
0258	257.2	1.6	
0283	282.2	1.8	3 pcs Recommended pitch 140 to 370mm
0308	307.2	1.9	
0333	332.2	2.1	
0358	357.2	2.2	
0383	382.2	2.4	
0408	407.2	2.6	
0433	432.2	2.7	
0458	457.2	2.9	
0483	482.2	3.0	
0508	507.2	3.2	
0533	532.2	3.4	
0558	557.2	3.5	
0583	582.2	3.7	
0608	607.2	3.8	
0633	632.2	4.0	
0658	657.2	4.2	
0683	682.2	4.3	
0708	707.2	4.5	
0733	732.2	4.6	
0758	757.2	4.8	

Length	Fitting length	Power consumption	Mounting Clip
<input type="text"/>	L	(W)	
0783	782.2	5.0	4 pcs Recommended pitch 250 to 400mm
0808	807.2	5.1	
0833	832.2	5.3	
0858	857.2	5.4	
0883	882.2	5.6	
0908	907.2	5.8	
0933	932.2	5.9	
0958	957.2	6.1	
0983	982.2	6.2	
1008	1007.2	6.4	
1033	1032.2	6.6	5 pcs Recommended pitch 315 to 375mm
1058	1057.2	6.7	
1083	1082.2	6.9	
1108	1107.2	7.0	
1133	1132.2	7.2	
1158	1157.2	7.4	
1183	1182.2	7.5	
1208	1207.2	7.7	
1233	1232.2	7.8	
1258	1257.2	8.0	
1283	1282.2	8.2	
1308	1307.2	8.3	
1333	1332.2	8.5	
1358	1357.2	8.6	
1383	1382.2	8.8	
1408	1407.2	9.0	
1433	1432.2	9.1	
1458	1457.2	9.3	
1483	1482.2	9.4	
1508	1507.2	9.6	

Cross sectional view when installing optional items



Option parts

1 Mounting clip for RIMiT kk
Model No : LRMKK-PT-C
5 pcs/1 bag

2 Mounting clip D for RIMiT
Model No : LRM-PT-D
5 pcs/1 bag

3 Lift Parts for RIMiT
Model No : LRM-PT-B
2 pcs/1 bag

Lift parts must be used with **1** mounting clip

For magnet installation, please refer the required number of clip to the table on P.8

4 Power supply cable 5M
Model No : CAD-5000-MEFE-O

1 pcs per circuit for connecting the LED fixture to power supply or dimmer driver.

5 Magnetic tape for RIMiT 5m
Model No : LRM-MT5
5 m

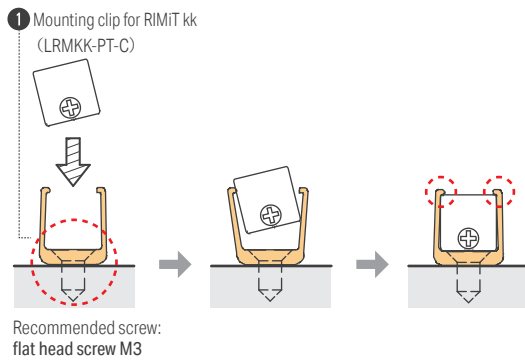
For magnetic tape installation

6 Double sided tape 15m
Model No : LFP-AT15
Width: 10mm

For double sided tape installation

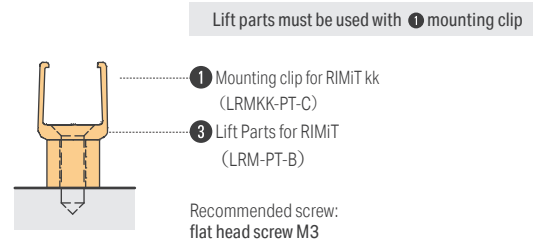
Installing the product

Mounting clip installation



Mounting clips are designed to hold the luminaire in place by spreading both sides. Please leave at least 2mm of gap on both sides for maintenance.

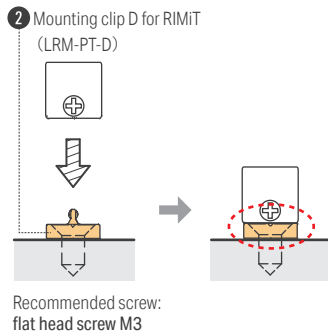
Mounting clip and Lift Parts installation



Please make sure to flush the flat head of screws with the surface of the mounting parts. Otherwise, the lighting fixture may not be completely hooked and fall off.

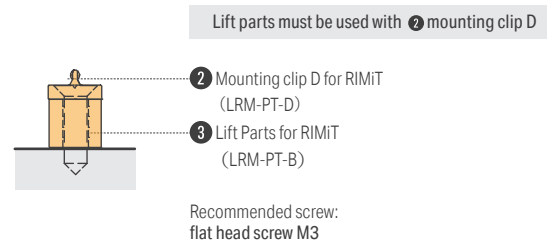
Mounting clip D installation

※ Install lighting vertically or not want clip to be visible

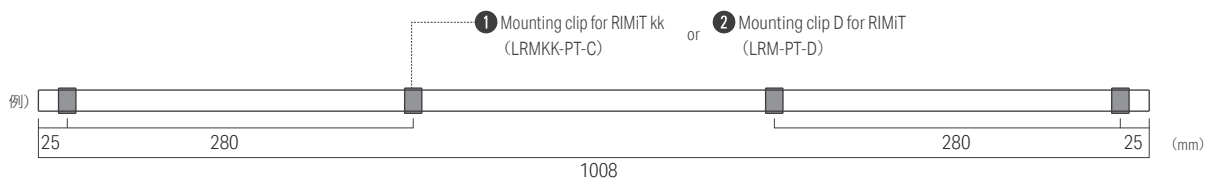


Please make sure to flush the flat head of screws with the surface of the mounting parts. Otherwise, the lighting fixture may not be completely hooked and fall off.

Mounting clip D and Lift Parts installation

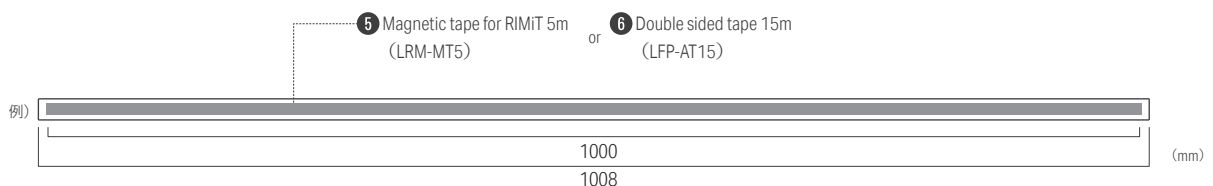


Recommended position of clip and magnet

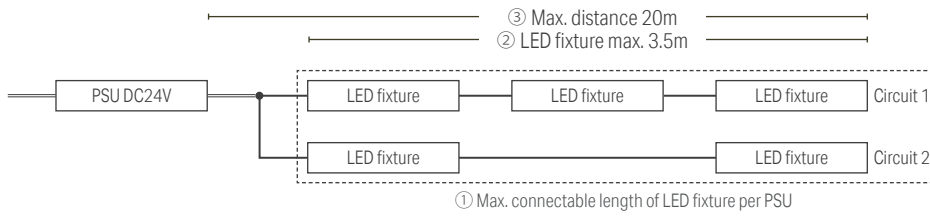


Recommended mounting position (pitch: 20mm to 300mm, quantity: 2 to 5 pieces) depends on the length of the luminaire. Please refer to the attached table on p.8

Recommended position of magnetic tape and double-sided tape



System configuration diagram

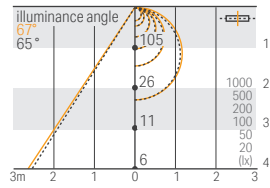


- ① Max. connectable total length of LED fixture per power supply depends on capacity of power supply. Recommended loading factor: 70% (without dimming) or 60% (with dimming)
- ② If connectable length of LED fixture per circuit exceeds the maximum, please split into multiple circuit.
- ③ To avoid voltage drop, please consider the max. distance from power supply to the end of LED fixture. (i.e. total cable length plus LED fixture length)

Illuminance data

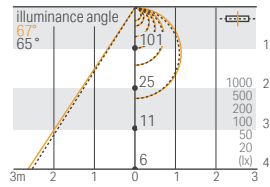
LRMKK-T1008 □ - N-DF - I-6

Light source color 5000 K
 Brightness 105 cd
 Luminous flux 394 lm
 Color rendering index Ra 94



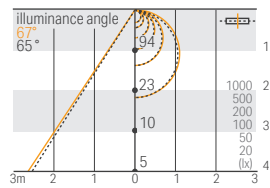
LRMKK-T1008 □ - W-DF - I-6

Light source color 4000 K
 Brightness 101 cd
 Luminous flux 380 lm
 Color rendering index Ra 92



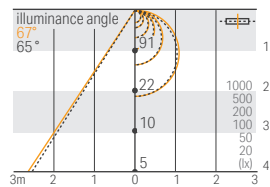
LRMKK-T1008 □ - WW-DF - I-6

Light source color 3500 K
 Brightness 94 cd
 Luminous flux 351 lm
 Color rendering index Ra 94



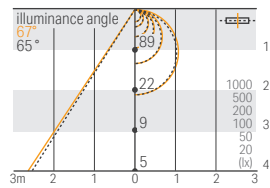
LRMKK-T1008 □ - L30-DF - I-6

Light source color 3000 K
 Brightness 91 cd
 Luminous flux 341 lm
 Color rendering index Ra 92



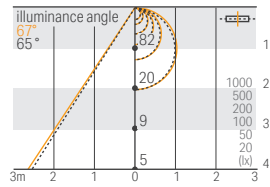
LRMKK-T1008 □ - L27-DF - I-6

Light source color 2700 K
 Brightness 89 cd
 Luminous flux 334 lm
 Color rendering index Ra 92



LRMKK-T1008 □ - L24-DF - I-6

Light source color 2400 K
 Brightness 82 cd
 Luminous flux 306 lm
 Color rendering index Ra 91



Luci RIMiT kk



USu



KaKu

Luci Pte. Ltd.

Singapore World HQ

52A Tanjong Pagar Road, Singapore 088473
Tel : +65-6291-2410 E-mail : info@luci.co.jp

Hong Kong Marketing Office

Unit 601-02, 6/F Union Park Tower, 168 Electric Road, Fortress Hill, Hong Kong
Tel : +852-2219-8462 E-mail : info@luci.co.jp

LUCI (SHANGHAI) LIGHTING TECHNOLOGY CO., LTD.

Shanghai China mainland Regional HQ

Rm.1804, South Building, 300 Xuanhua Rd., Changning District, Shanghai(200050)PRC.
Tel : +86-21-5238-9115 Fax : +86-21-5238-8727 E-mail : info@luci.co.jp

Beijing Office

Rm.1030 Building102, (Qingnian Rd) Qingnianongshe., Chaoyang North Rd, Chaoyang District, Beijing(100026)PRC.
Tel : +86-10-6556-9541 E-mail : info@luci.co.jp

<http://www.luci.co.jp/en/>

RIMiT kk
WEB

