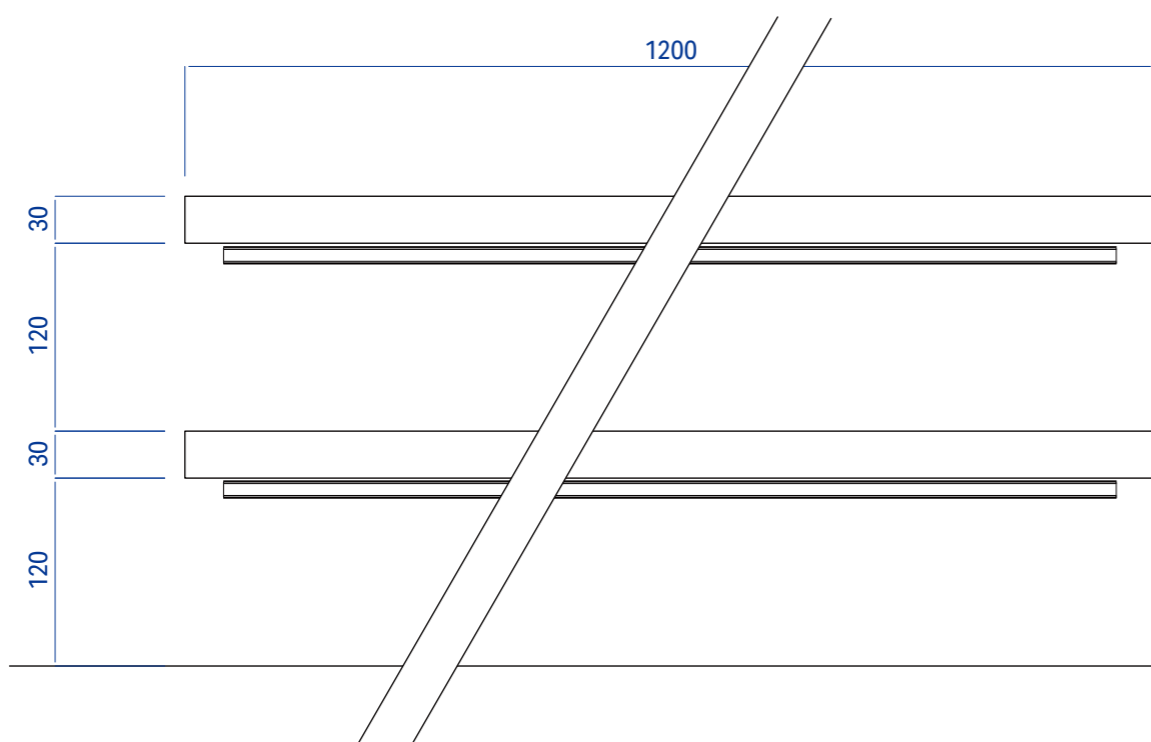
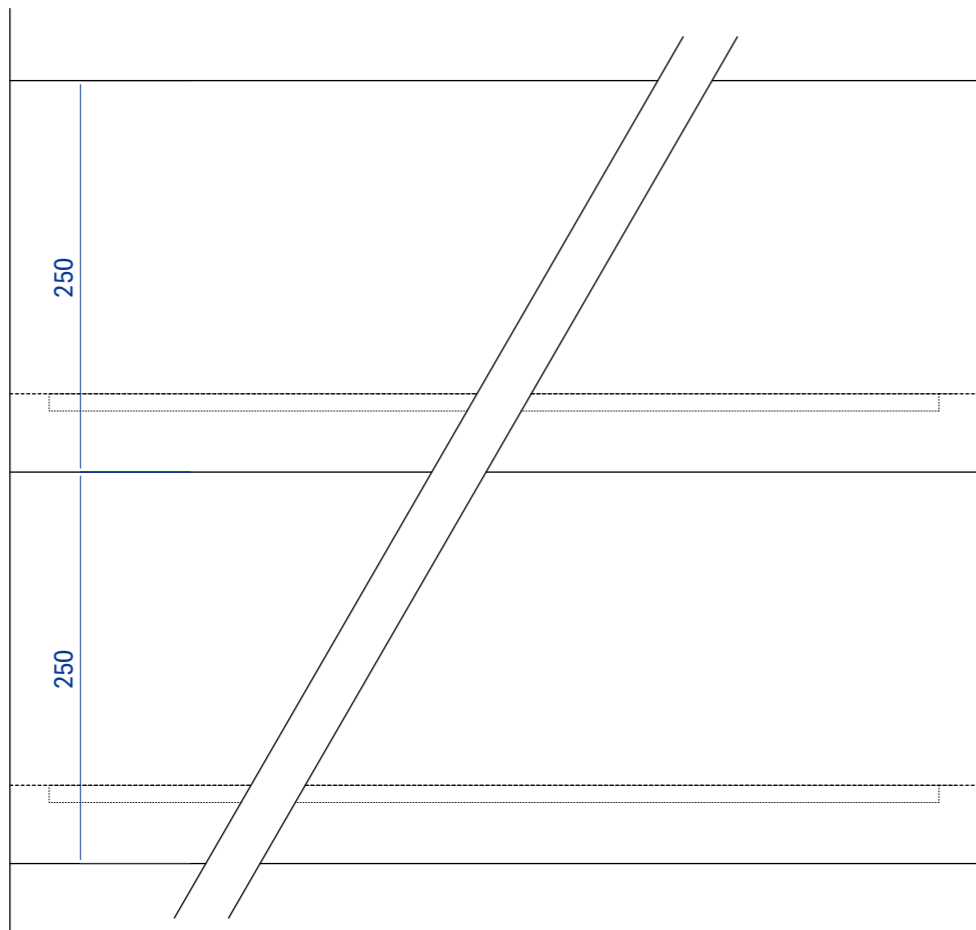
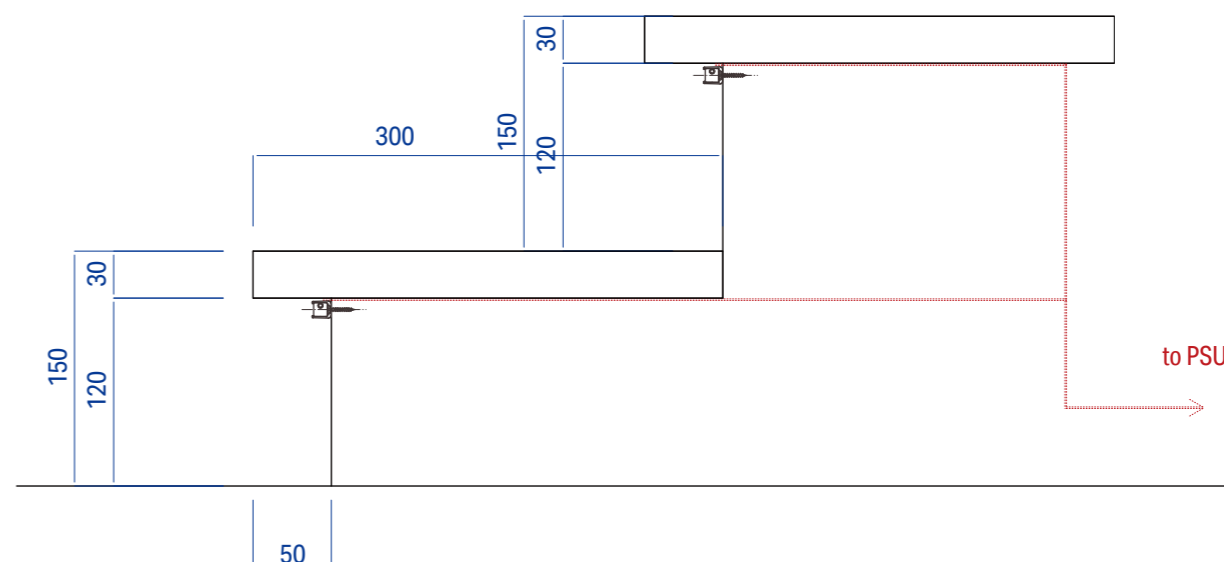
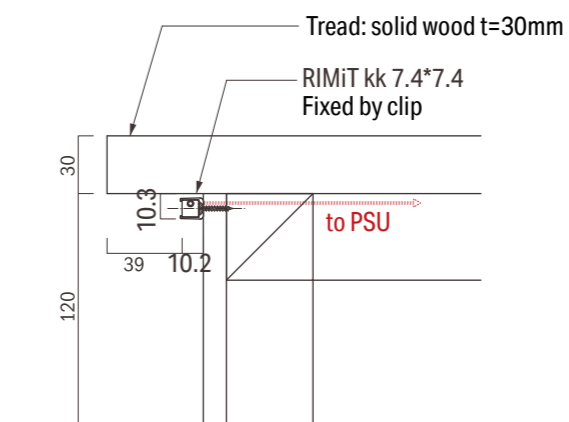


Step

Lighting installation drawing for reference

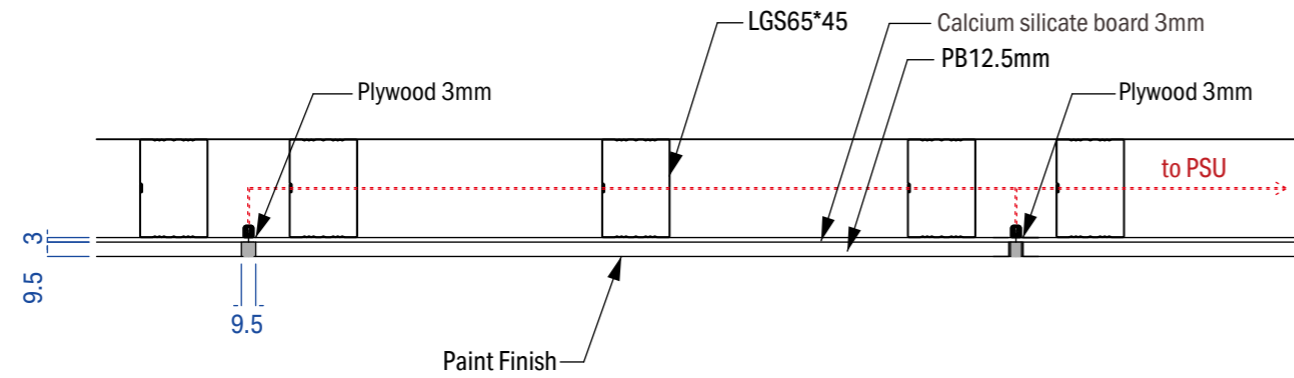


Section detail S=1:2

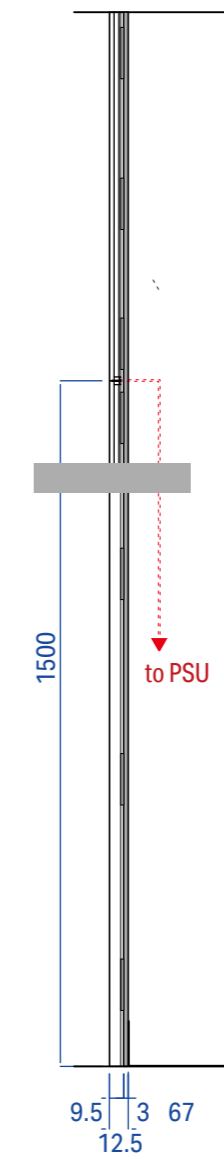
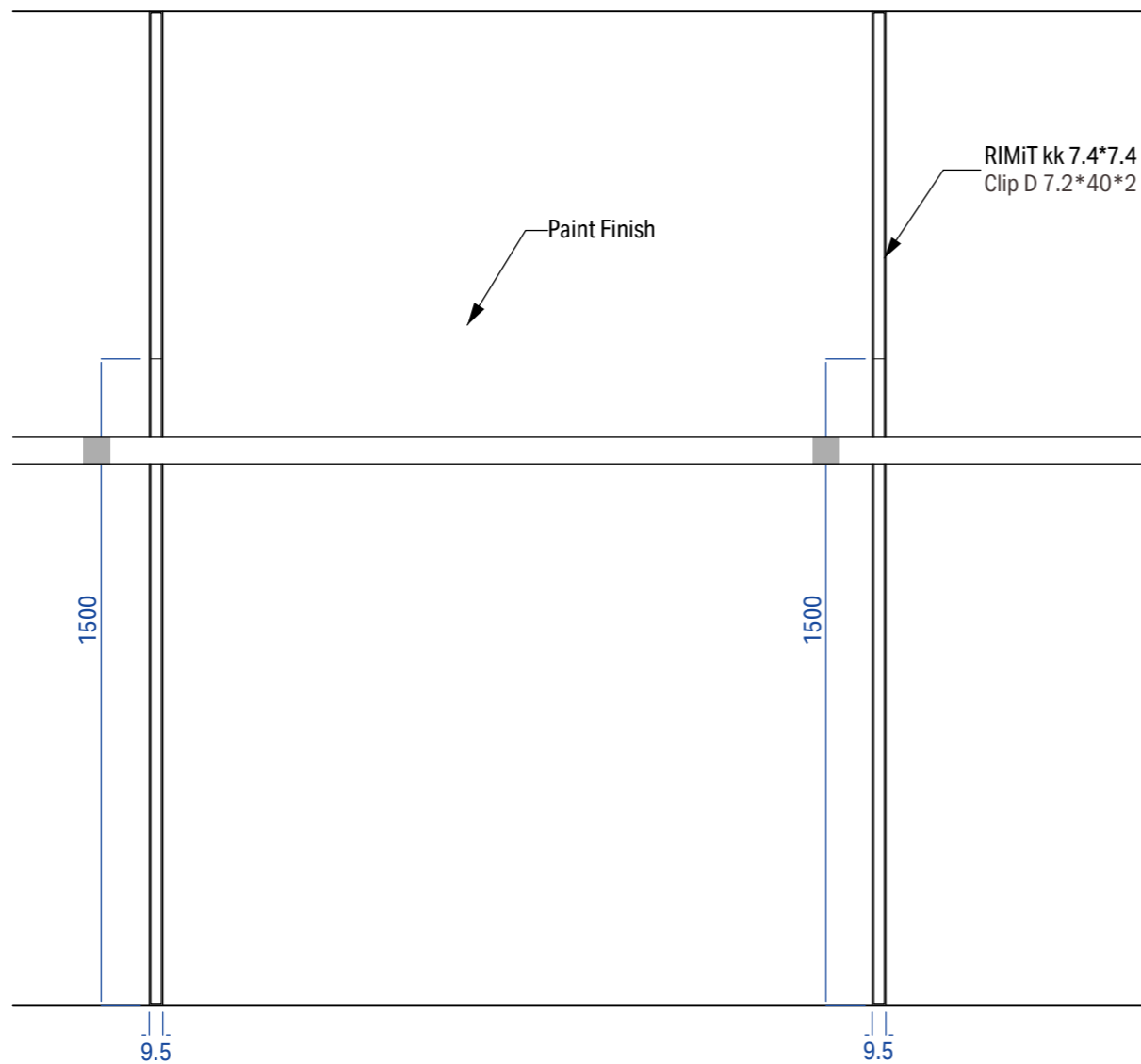
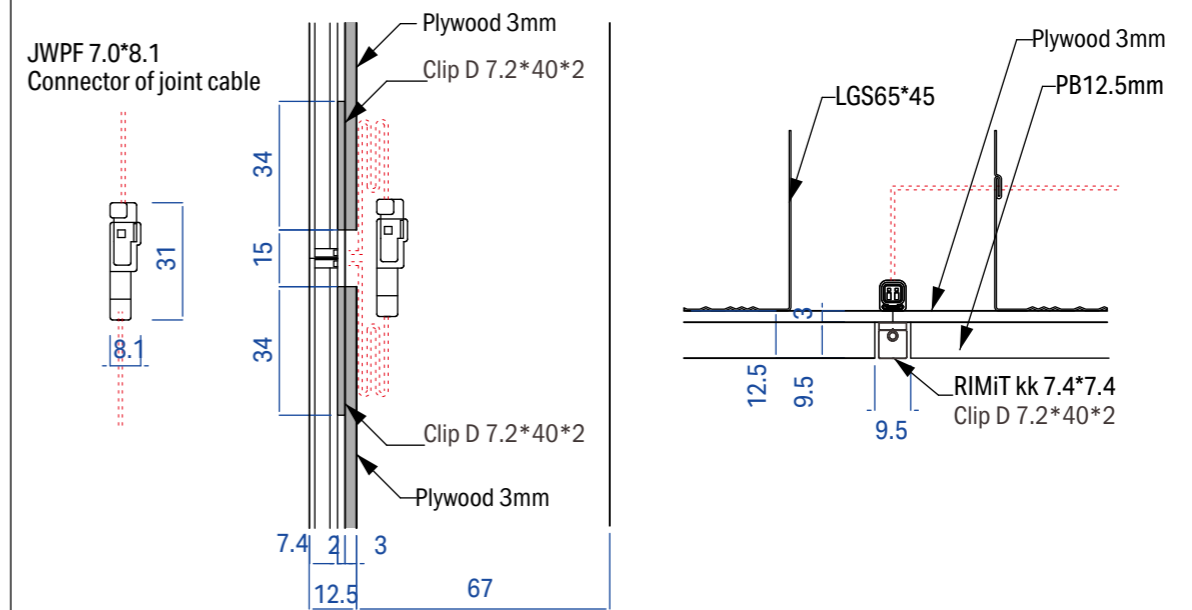


Recessed wall

Lighting installation drawing for reference

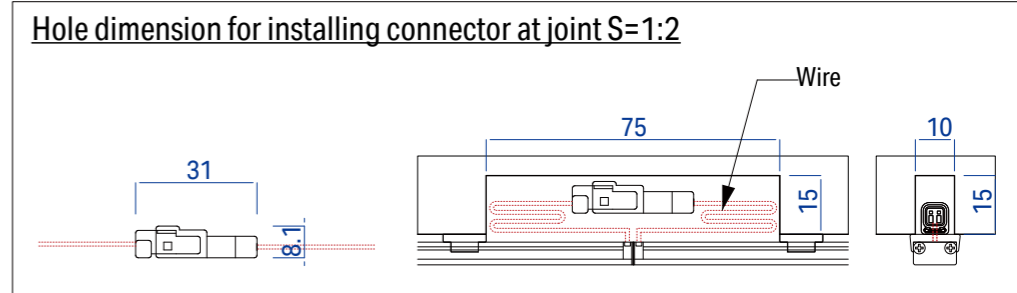
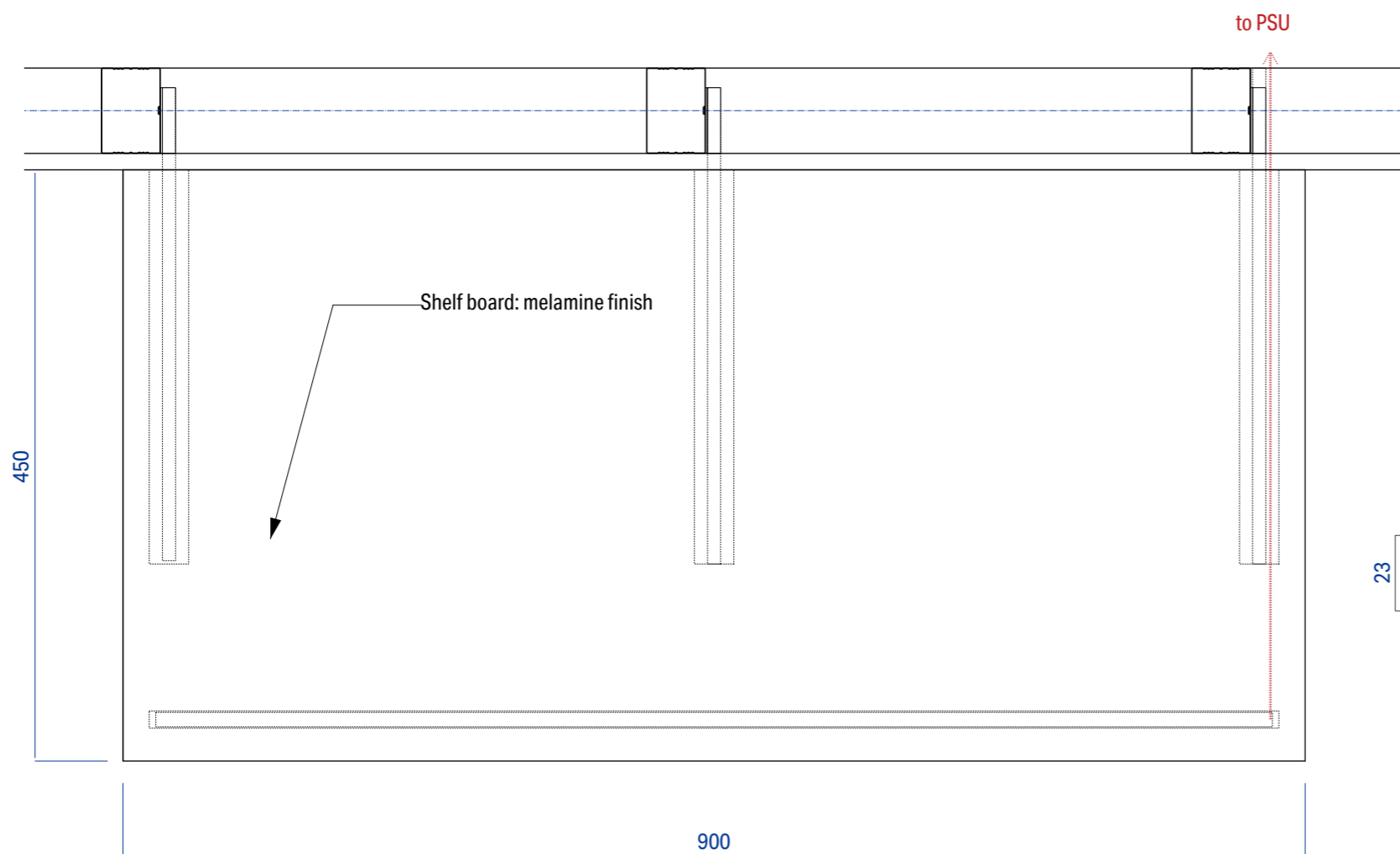


Hole dimension for installing connector at joint S=1:2

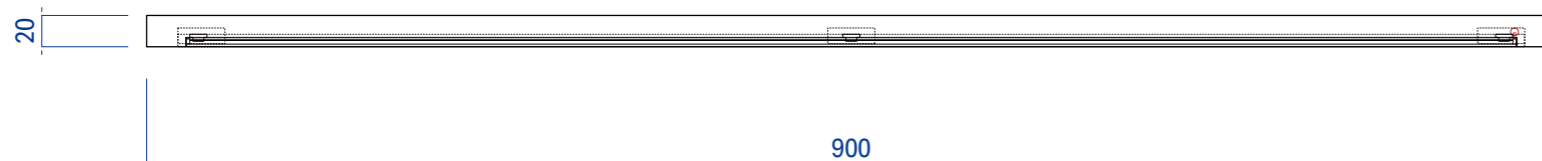
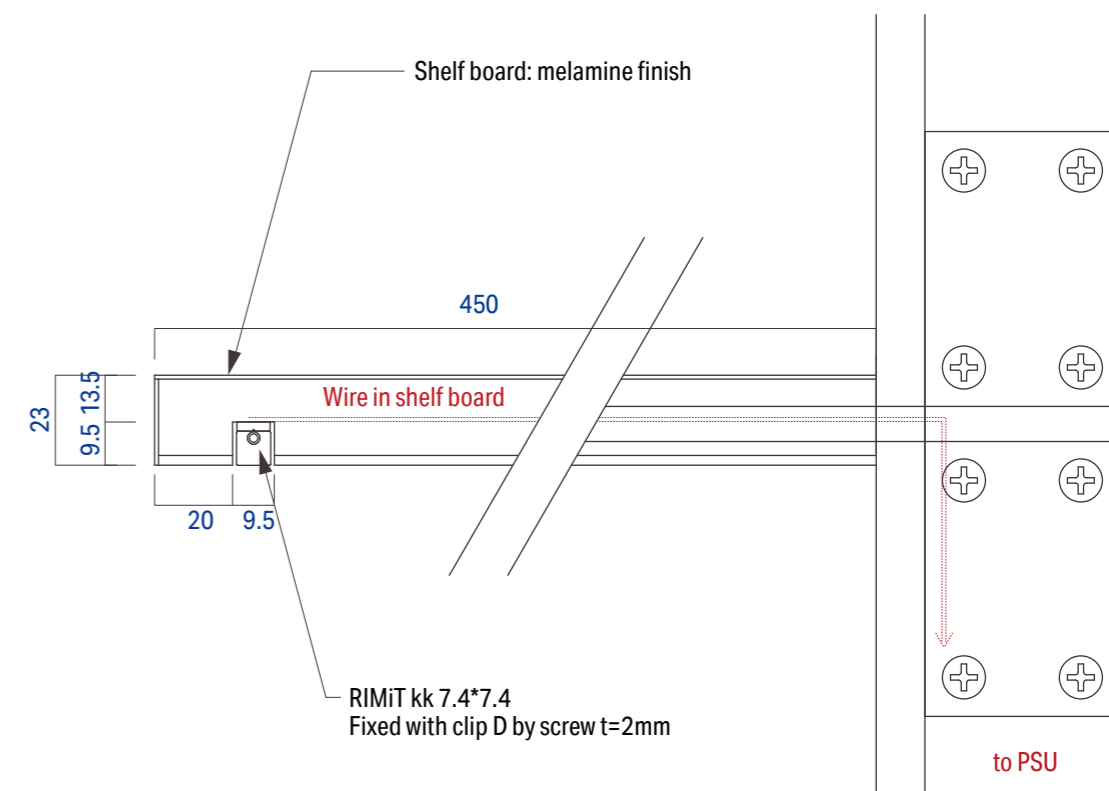


Under shelf (recessed)

Lighting installation drawing for reference

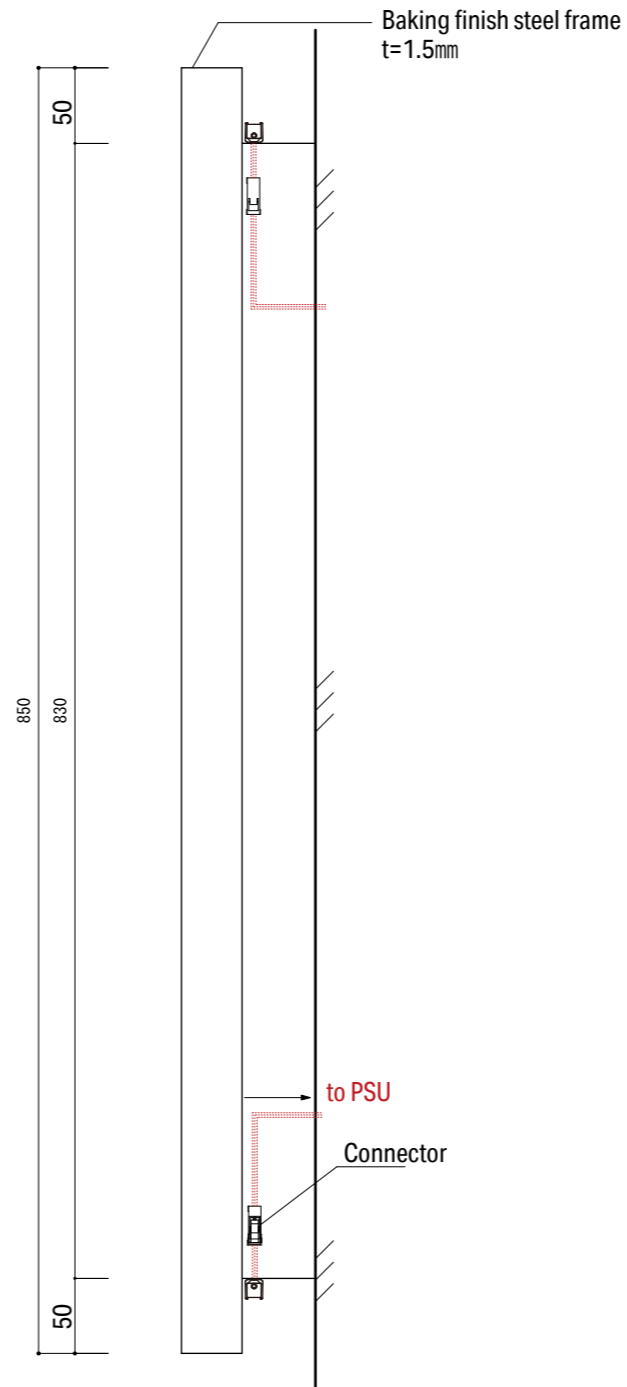
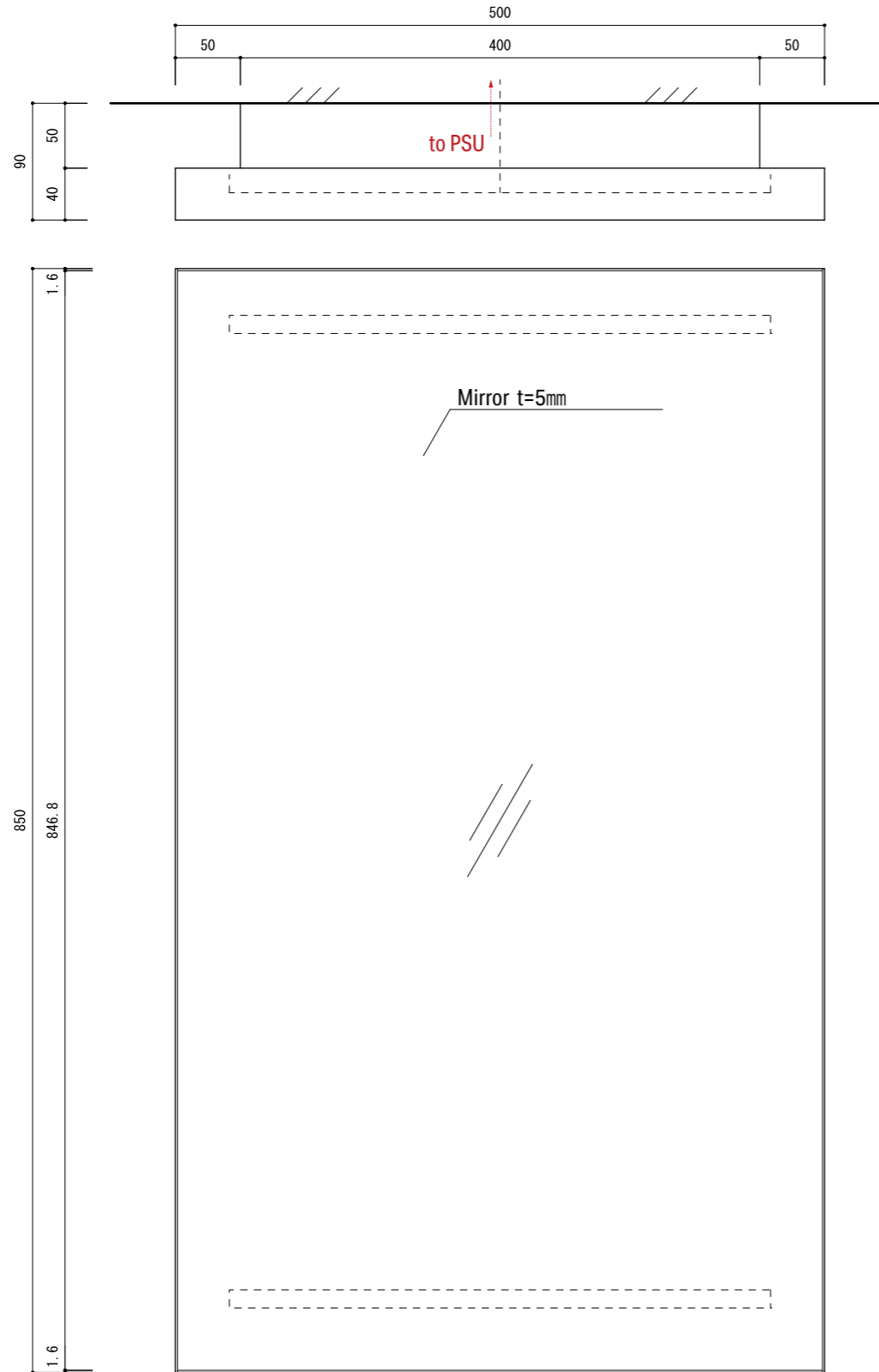


Section detail S=1:2

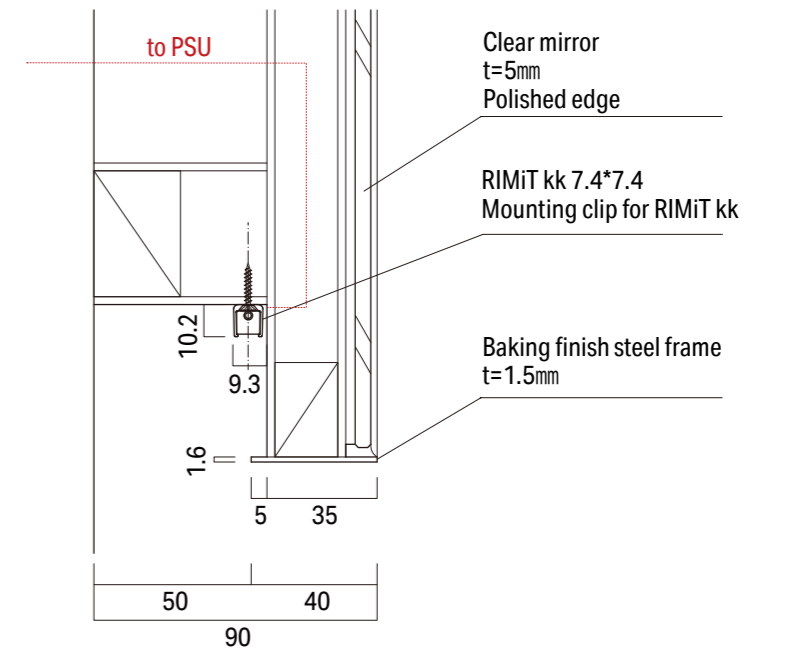


Mirror

Lighting installation drawing for reference



Section detail S=1:2



Wainscot Uplight

Lighting installation drawing for reference

