

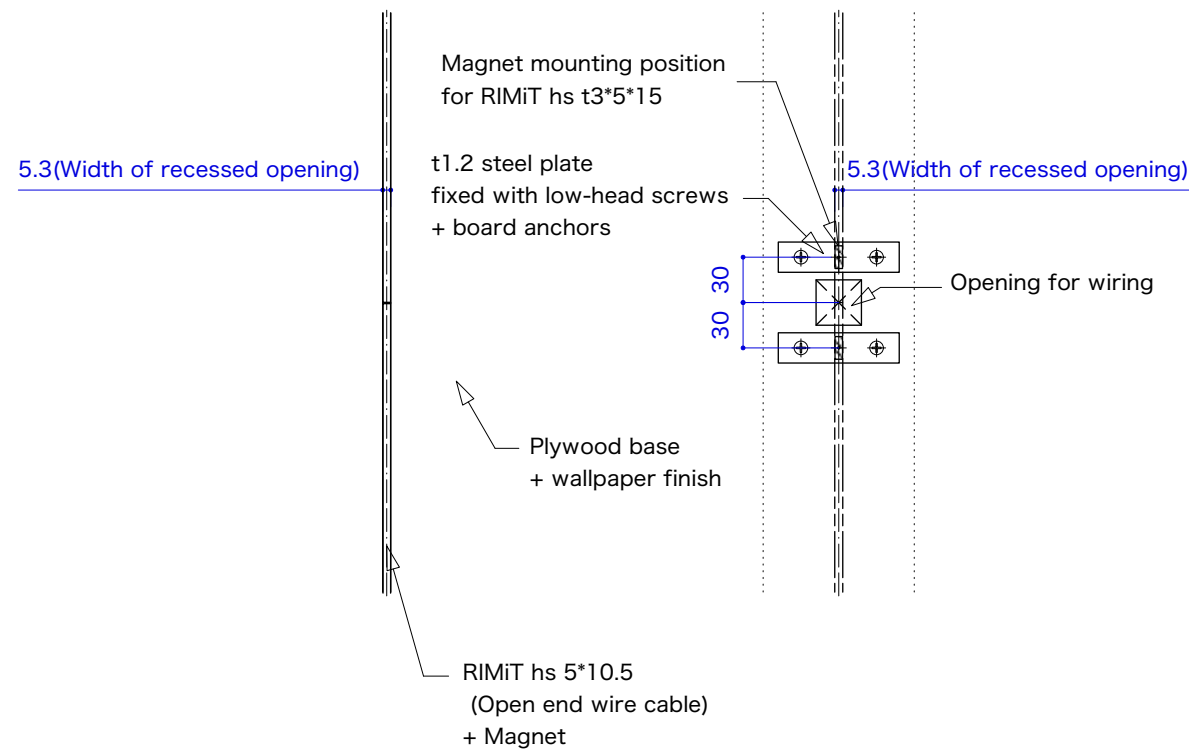
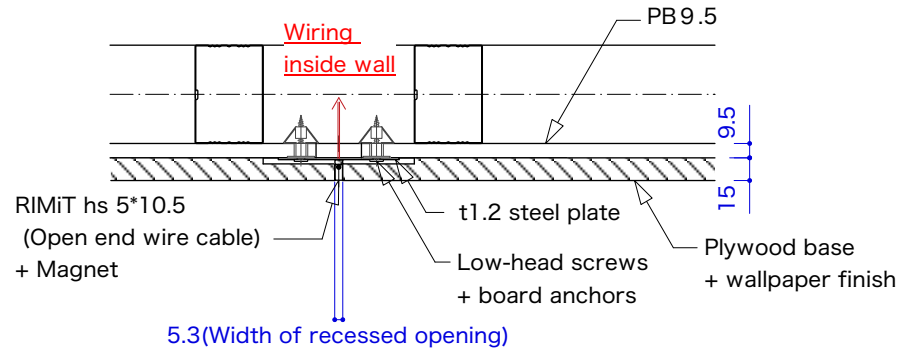
【Wall recessed lighting】

Drawing reference for fixture installation

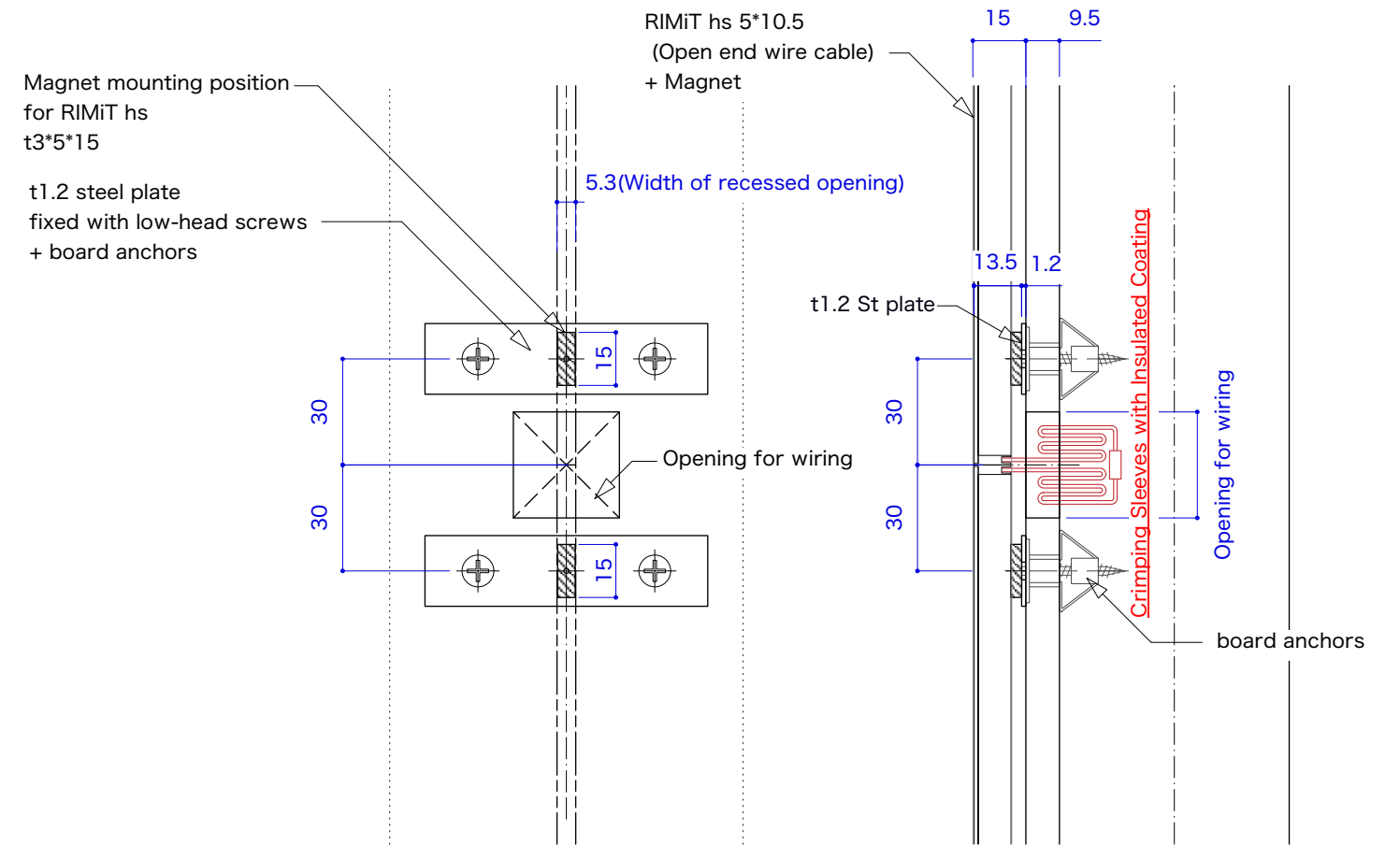
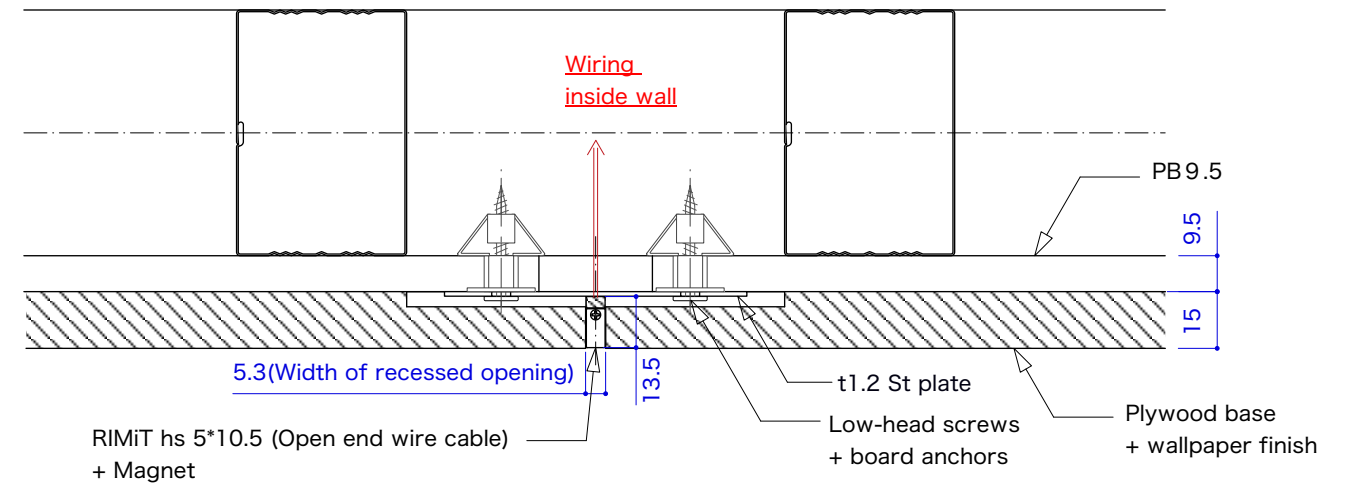
S=1/5, 1/2 (A3)

Benefits:

- Installation with magnet provide easy maintenance and allow narrow space installation.



Section detail S=1:2



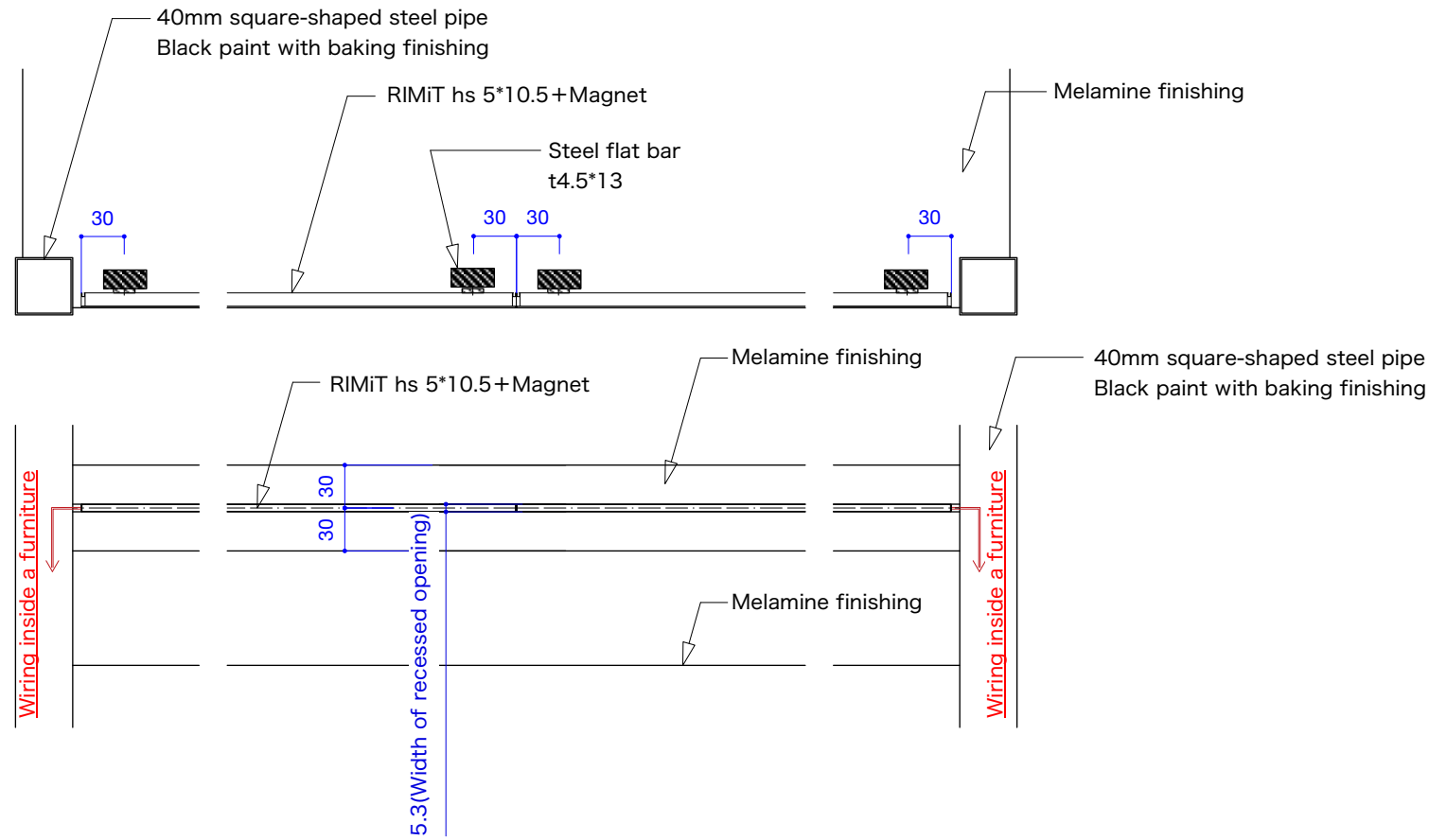
【Direct accent lighting】

Drawing reference for fixture installation

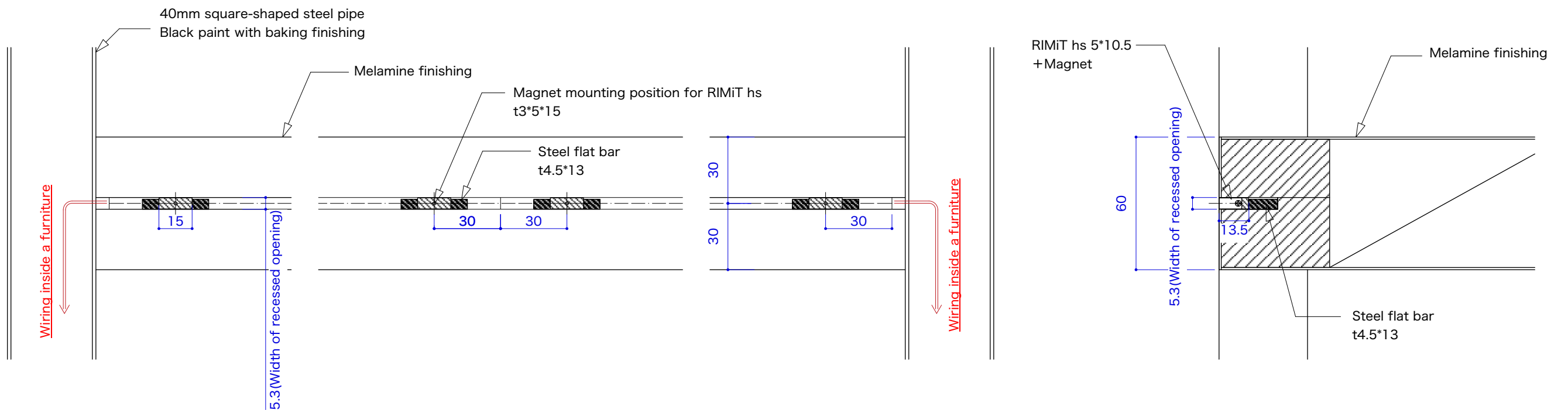
S=1/5, 1/2 (A3)

Benefits:

- Installation with magnet provide easy maintenance and allow narrow space installation.



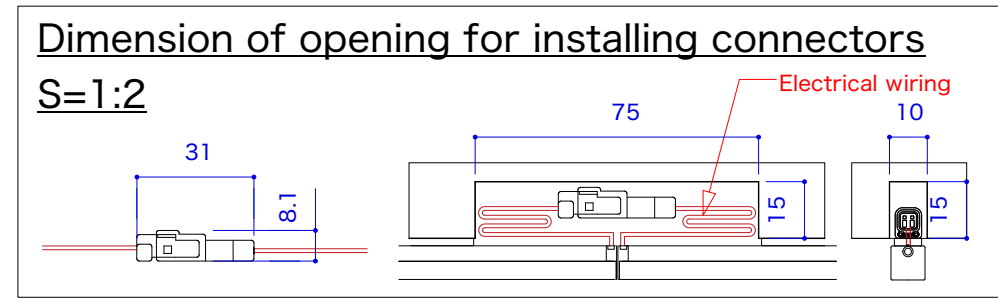
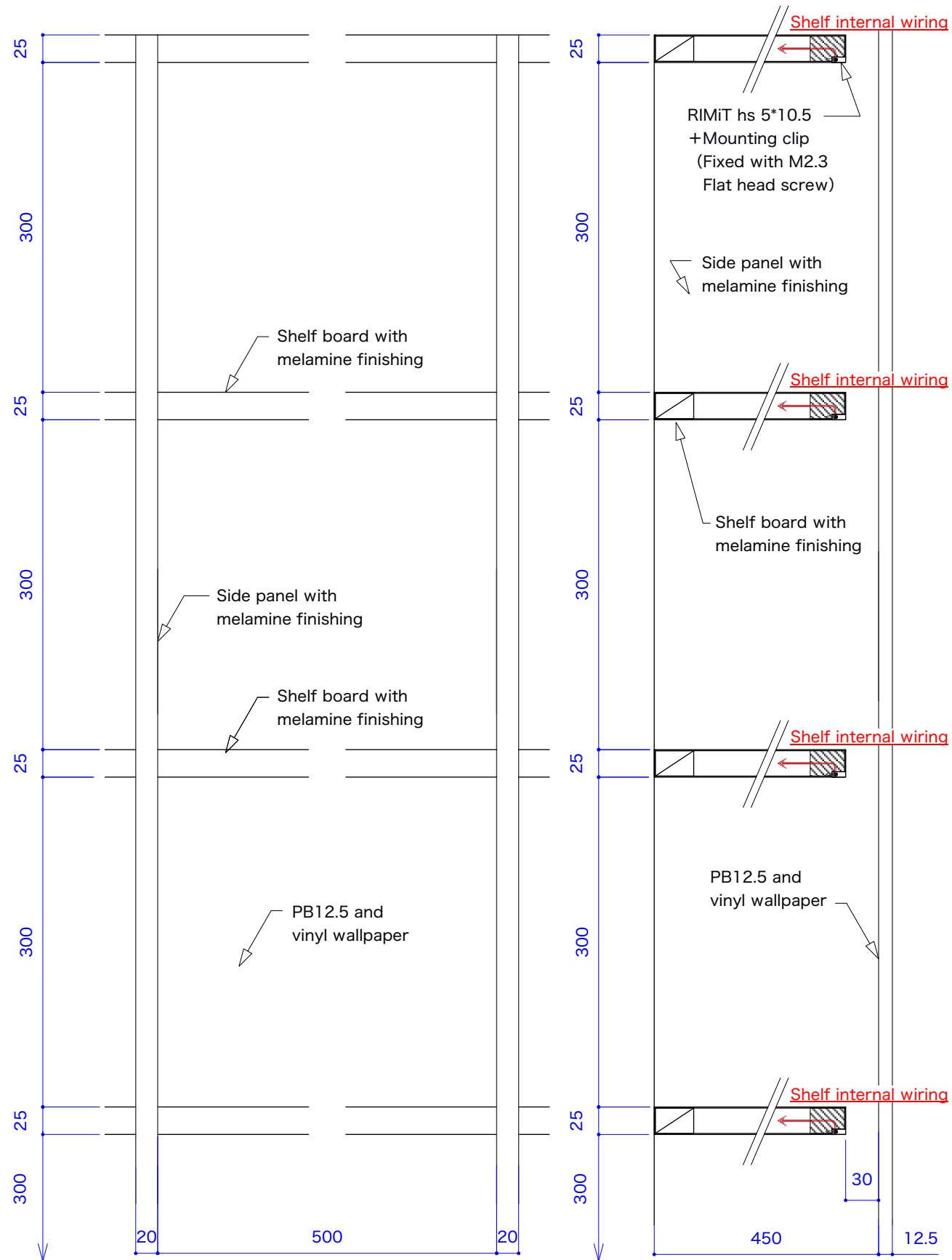
Section detail S=1:2



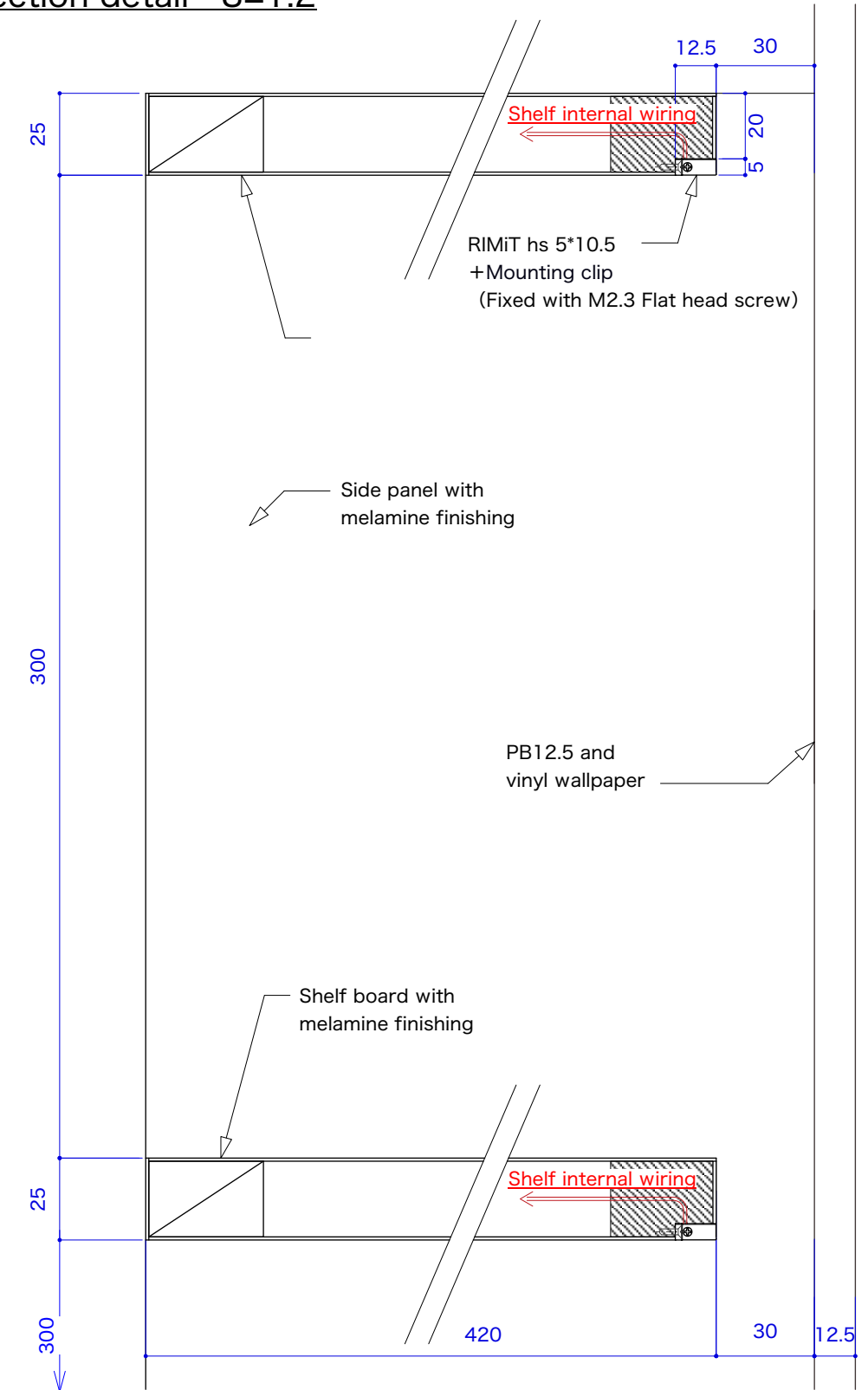
【Shelf back lighting】

Drawing reference for fixture installation S=1/5, 1/2 (A3)

- Benefits:
- Low power indirect lighting with low lumen output, providing a moderate illumination level without the need for diming.
 - Dotless and comfortable for the eyes.



Section detail S=1:2



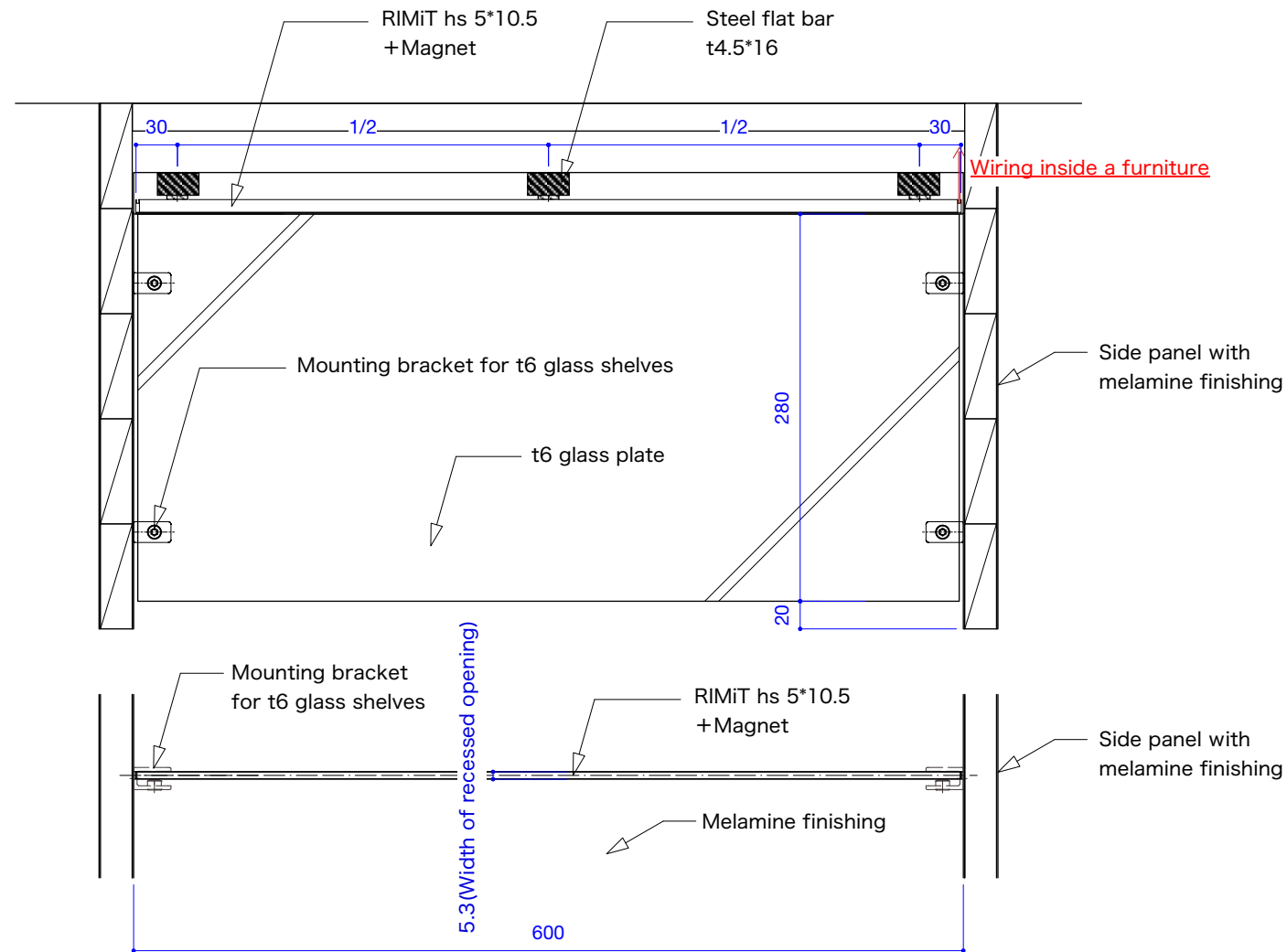
【Glass shelf lighting】

Drawing reference for fixture installation

S=1/5, 1/2 (A3)

Benefits:

- The lighting fixture has a width of 5.3mm, making it thinner than 6mm thick glass, thus preventing any light leakage.



Section detail S=1:2

