

Project Name _____
 Qty _____
 Catalog / Part Number _____

Body color
Black

White



LKF | Luci KIWA fuga™

Color management
MacAdam 3 step



1 years warranty

Model No.

LKF10 - □□□□ □ - □ - □ - □ - □ - □

Product name/LED Pitch	Length	Lead Wire	Light source color	Beam angle	Environment	Wattage	Body color
LKF10	0162 0302 0442 0582 0722 1002 1282	W : Both ends S : One end	D : 6500K L27 : 2700K N : 5000K L25 : 2500K W : 4000K L22 : 2200K WW : 3500K L20 : 2000K L30 : 3000K L18 : 1800K	25 : 25° 40 : 40°	I : Indoor	2 : 2.7 W/m 11 : 11.3 W/m 34 : 34.9 W/m	B : Black W : White

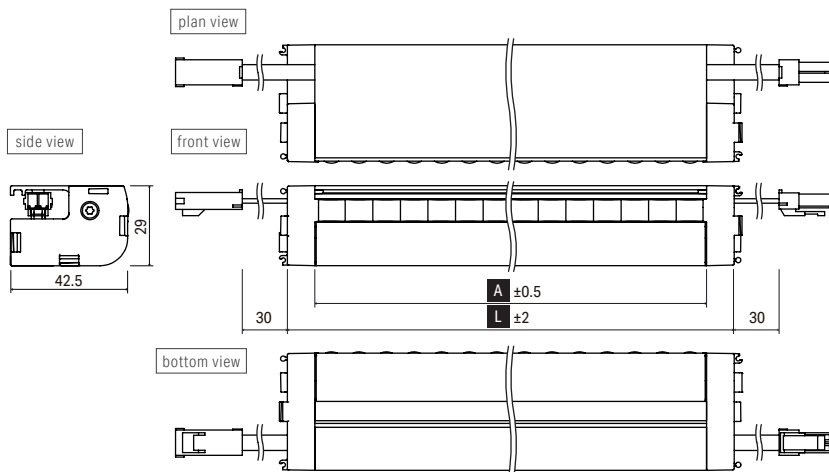
Specification

Model No.	LKF10-□□□□□-□-□-□-□-□		
Wattage Code	2	11	34
Wattage (W/m)	2.7	11.3	34.9
Fitting length (L)	162mm, 302mm, 442mm, 582mm, 722mm, 1002mm, 1282mm		
Weight	850 g / m		
Luminaire efficacy (@ 40°, 2700K)	105.2 lm/W	102.3 lm/W	95.7 lm/W
Light source color	D: 6500K, N: 5000K, W: 4000K, WW: 3500K, L30: 3000K L27: 2700K, L25: 2500K, L22: 2200K, L20: 2000K, L18: 1800K		

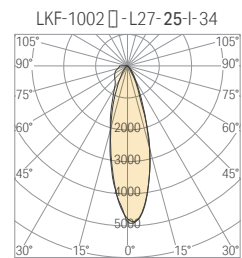
General Specification

Input voltage	DC24V
Environment	Indoor (no condensation)
Operating temperature	0°C - +35°C (no condensation)
Max. length per circuit	10 m 7 m 3 m
Material (body)	Aluminum, Polycarbonate
Attachments	① Mounting clip for KIWA fuga
Accessories	① Mounting clip for KIWA fuga ② Adjustable base for KIWA clip ③ Louver for KIWA fuga ④ Power supply cable 3M ⑤ Joint cable 1M ⑥ Magnet set L
Certification	CE
Dimmable	Yes (0-10V/1-10V, DMX, DALI, PWM, Casambi)

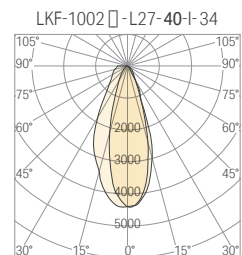
External dimensions



Light Intensity



Length	L	A
0162	162	142
0302	302	282
0442	442	422
0582	582	562
0722	722	702
1002	1002	982
1282	1282	1262

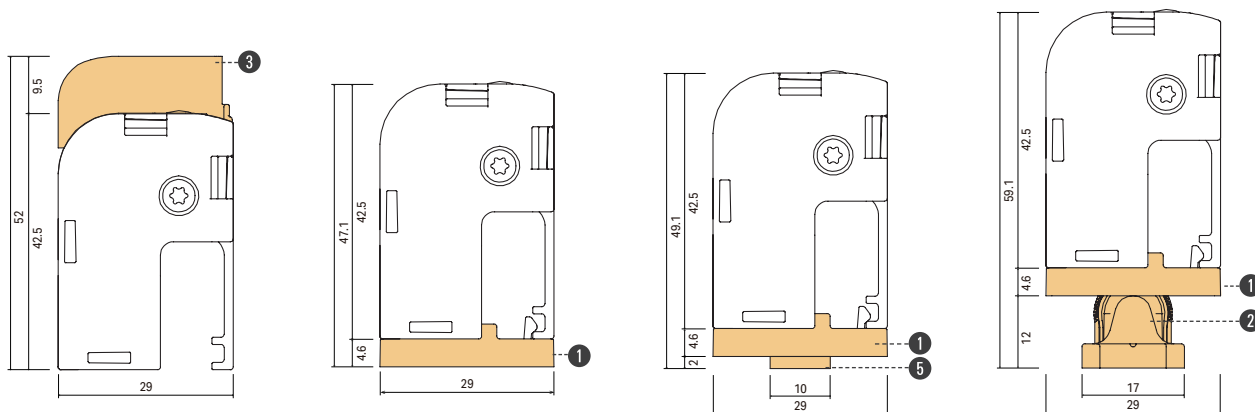


Photometric characteristics

Wattage Code				2	11	34
@25°						
D	6500K	Ra 94		314 lm/m	1267 lm/m	3692 lm/m
N	5000K	Ra 95		311 lm/m	1256 lm/m	3661 lm/m
W	4000K	Ra 94		305 lm/m	1234 lm/m	3594 lm/m
WW	3500K	Ra 95		302 lm/m	1223 lm/m	3563 lm/m
L30	3000K	Ra 94		294 lm/m	1189 lm/m	3465 lm/m
L27	2700K	Ra 94		278 lm/m	1122 lm/m	3270 lm/m
L25	2500K	Ra 94		205 lm/m	829 lm/m	2418 lm/m
L22	2200K	Ra 94		191 lm/m	773 lm/m	2254 lm/m
L20	2000K	Ra 92		174 lm/m	706 lm/m	2059 lm/m
L18	1800K	Ra 92		169 lm/m	684 lm/m	1992 lm/m
@40°						
D	6500K	Ra 94		320 lm/m	1293 lm/m	3772 lm/m
N	5000K	Ra 95		318 lm/m	1282 lm/m	3737 lm/m
W	4000K	Ra 94		312 lm/m	1260 lm/m	3671 lm/m
WW	3500K	Ra 95		309 lm/m	1248 lm/m	3640 lm/m
L30	3000K	Ra 94		301 lm/m	1214 lm/m	3538 lm/m
L27	2700K	Ra 94		284 lm/m	1145 lm/m	3339 lm/m
L25	2500K	Ra 94		210 lm/m	847 lm/m	2470 lm/m
L22	2200K	Ra 94		195 lm/m	789 lm/m	2303 lm/m
L20	2000K	Ra 92		178 lm/m	721 lm/m	2100 lm/m
L18	1800K	Ra 92		173 lm/m	698 lm/m	2034 lm/m



Cross sectional view with accessories



Accessories

1 Mounting clip for KIWA fuga **Attachment**
 Model No : LKF-PT-A
 4pcs/1bag
 Magnet mounting available
7 Magnet set L

Attachment	
Length	Number of clip
0154	1
0294	2
0434	2
0574	3
0714	3
0994	4
1274	4

2 Adjustable base for KIWA fuga
 Model No : LKW-PT-D
 4pcs/1bag

3 Louver for KIWA fuga
 Model No : LKF-PT-B-B/W
 4pcs/1bag

4 Power supply cable 3M
 Model No : CAD-3000-MCNN-I
 1 pcs per circuit for connecting the LED fixture to power supply or dimmer driver.

⚠ Check the label on the DC + side for polarity.

4 Joint cable 1M
 Model No : CAD-1000-MCFC-I
 For securing the joining of two cables

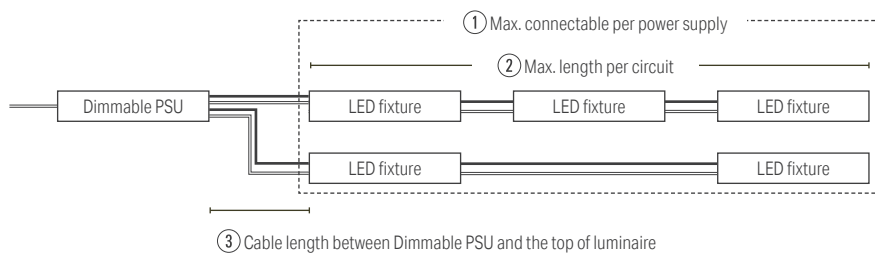
5 Magnet set L
 Model No : MG-L
 10 sets/bag
 Required 2 pcs per Clip
 Used for installing LED fixture with **1** Mounting clip on metal plate. Metal plate is required by installer.

Mounting clip positions and quantities by length

The recommended number and position of mounting clips for each length are as follows.
 The number of clips must be the same for the Mounting clip for KIWA fuga (LKF-PT-A),
2 Adjustable base for KIWA clip (LKW-PT-D).

Length	Number of clip
0154	1
0294	2
0434	2
0574	3
0714	3
0994	4
1274	4

System configuration diagram



- ① Max. connectable per Dimmable PSU depends on capacity of the Dimmable PSU. Recommended loading factor is 70% (without dimming) or 60% (with dimming).
- ② Max. length per circuit shall not exceed maximum product length per circuit. If the product length per circuit exceeds the maximum, split into multiple circuits.
- ③ To minimize voltage drop, select appropriate wire gauge/diameter and consider the cable length between Dimmable PSU and the top of luminaire referring to the following table. If longer cable distances are required, use thicker wires or reduce the loading of the LED fixtures in the circuit.

Dimmer

Model No.	Size (mm) (L × W × H)
DIM-S2L8V-0	167 × 51 × 23

Dimmable PSU

Model No.	Size (mm) (L × W × H)
PWM-200-24	195 × 68 × 39.5
PWM-120-24	191 × 63 × 37.5
PWM-90-24	171 × 63 × 37.5
PWM-60-24	150 × 53 × 35
PWM-40-24	150 × 53 × 35

Dimmer & Dimmable PSU	PX0408 (8A × 4ch)-Use 1ch only	PX0408 (8A × 4ch)-Use 1ch only	PWM-200-24	PWM-120-24	PWM-90-24	PWM-60-24	PWM-40-24
	DALI6010 (10A × 1ch)	DALI6010 (10A × 1ch)					
	DIM-S1L10V-0 (10A × 1ch)	DIM-S1L10V-0 (10A × 1ch)					
	connectable up to 5A, when using 200W DC24V PSU as 60% load factor	connectable up to 3.75A, when using 150W DC24V PSU as 60% load factor	connect up to 140W as 70% load	connect up to 84W as 70% load	connect up to 63W as 70% load	connect up to 42W as 70% load	connect up to 28W as 70% load

Model No.	Wattage (W/m)	Max. length per circuit (m)	* Split into multiple circuit	① Max. connectable per power supply (m)					
LKF10-**-*-I-2-*	2.7	10	44.4*	33.3*	51.8*	31.1*	23.3*	15.5*	10.3*
LKF10-**-*-I-11-*	11.3	7	10.6*	7.9*	12.3*	7.4*	5.5	3.7	2.4
LKF10-**-*-I-34-*	34.9	3	3.4*	2.5	4*	2.4	1.8	1.2	0.8

Model No.	Wattage (W/m)	Cross section	0.3sq	0.5sq	0.75sq
		Wiregauge	AWG22	AWG20	AWG18
		② Max. length per circuit (m)	③ Max. cable length between PSU and the top of luminaire at ② Max. length per circuit (m)		
LKF10-**-*-I-2-*	2.7	10	6.0	9.8	15.5
LKF10-**-*-I-11-*	11.3	7	2.1	3.3	5.3
LKF10-**-*-I-34-*	34.9	3	1.5	2.5	4.0

※The length of cable that can be connected varies depending on the voltage drop.