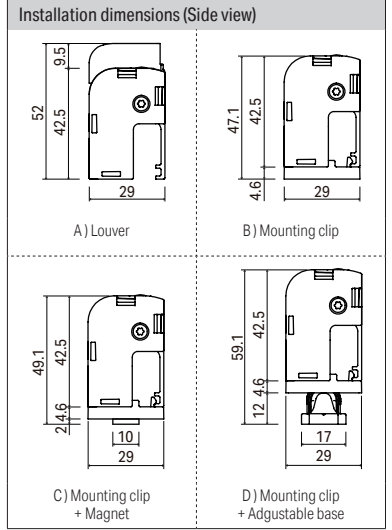


Length	L	A
0162	162	142
0302	302	282
0442	442	422
0582	582	562
0722	722	702
1002	1002	982
1282	1282	1262



**Accessories**

**Mounting clip for KIWA fuga (LKF-PT-A) (4pcs/1bag)**

Attachment

Length	Number of clip
0162	1
0302	2
0442	2
0582	3
0722	3
1002	4
1282	4

**Louver for KIWA fuga (LKF-PT-B-B/W) (4pcs/1bag)**

**Adjustable base for KIWA clip (LKW-PT-D) (4pcs/1bag)**

**Power supply cable 3M (CAD-3000-MCINN-I)**

3000<sup>+40</sup><sub>0</sub>

⚠ Check the label on the DC+ side for polarity.

**Joint cable 1M (CAD-1000-MCFC-I)**

1000±15

**Magnet set L (MG-L) (10sets/1bag)**

Magnet, Plate, Screw, Countersink for M3, M3 tap, M3

Unit Of Measure: mm The specifications and prices are subject to change without prior notice.

Part Name	Material	Note	Drawing
① Body	Aluminum		
② Side cap	Polycarbonate		
③ Cover A	Polycarbonate	Lens	
④ Cover B	Polycarbonate	Diffuser	
⑤ Lead wire		UL1007 AWG20, Black:+ White:-	
⑥ Connector			
⑦ Mounting clip for KIWA fuga	Polycarbonate	Clear	
⑧ Adjustable base for KIWA clip			
⑨ Louver for KIWA fuga	Polycarbonate	Black / White	
⑩ Power supply cable 3M		UL1007 AWG20, Black:+ White:-	
⑪ Joint cable 1M		UL1007 AWG20, Black:+ White:-	
⑫ Magnet set L		Silver	

Specifications	Light source color		Model Number					
	Daylight white	Natural white	LKF10 - Length	Lead wire	Light source color	Beam angle - I -	Wattage - Body color	
Input voltage: DC24V	Daylight white	Natural white	0162	W : Both ends	D : 6500K	25 : 25°	2 : 2.7 W/m	W : White
Wattage: 2.7W/m, 11.3W/m, 34.9W/m	White	White	0302	S : One end	N : 5000K	40 : 40°	11 : 11.3 W/m	B : Black
Max. length per circuit: 2.7W/m_10m, 11.3W/m_7m, 34.9W/m_3m	Warm white 3500K	Warm white 3000K	0442		W : 4000K		34 : 34.9 W/m	
Environment: Indoor	Warm white 2700K	Warm white 2500K	0582		WW : 3500K			
Operating temperature: 0°C ~ +35°C	L30 3000K	L27 2700K	0722		L30 : 3000K			
Attachment: Mounting clip (See Attachment column ⑦)	L22 2200K	L22 2200K	1002		L27 : 2700K			
Accessories: Mounting clip	L20 2000K	L20 2000K	1282		L25 : 2500K			
Adjustable base	L18 1800K	L18 1800K			L22 : 2200K			
Louver					L20 : 2000K			
Power supply cable, Joint cable					L18 : 1800K			
Magnet set								

Job / Project Name \_\_\_\_\_ Area / Location / Circuit No. \_\_\_\_\_

Product Code \_\_\_\_\_ Qty. \_\_\_\_\_ Length (mm) \_\_\_\_\_

Luci Pte. Ltd. <http://www.luci.co.jp> Singapore Regional HQ Hong Kong Marketing Office  
 E-mail: info@luci.co.jp Tel: +65-6291-2410 Tel: +852-2219-8462

## Specifications



### Luci KIWA fuga

LKF10 - Length / W/S - Light source color - Beam angle - I - Wattage - Body color

Luci Pte. Ltd.

<http://www.luci.co.jp>  
E-mail: [info@luci.co.jp](mailto:info@luci.co.jp)

Singapore Regional HQ  
Tel: +65-6291-2410

Hong Kong Marketing Office  
Tel: +852-2219-8462

#### Specifications by length

Length	Fitting length (mm)	Wattage (W)		
		2 : 2.7W/m	11 : 11.3W/m	34 : 34.9W/m
0162	162	0.3 W	1.5 W	4.9 W
0302	302	0.7 W	3.0 W	9.9 W
0442	442	1.0 W	4.5 W	14.8 W
0582	582	1.4 W	6.1 W	19.8 W
0722	722	1.8 W	7.6 W	24.7 W
1002	1002	2.7 W	11.3 W	34.9 W
1282	1282	3.2 W	13.7 W	44.5 W

#### Photometric characteristics

Wattage Code				2	11	34
<b>@25°</b>						
D	6500K	Ra 94		314 lm/m	1267 lm/m	3692 lm/m
N	5000K	Ra 95		311 lm/m	1256 lm/m	3661 lm/m
W	4000K	Ra 94		305 lm/m	1234 lm/m	3594 lm/m
WW	3500K	Ra 95		302 lm/m	1223 lm/m	3563 lm/m
L30	3000K	Ra 94		294 lm/m	1189 lm/m	3465 lm/m
L27	2700K	Ra 94		278 lm/m	1122 lm/m	3270 lm/m
L25	2500K	Ra 94		205 lm/m	829 lm/m	2418 lm/m
L22	2200K	Ra 94		191 lm/m	773 lm/m	2254 lm/m
L20	2000K	Ra 92		174 lm/m	706 lm/m	2059 lm/m
L18	1800K	Ra 92		169 lm/m	684 lm/m	1992 lm/m
<b>@40°</b>						
D	6500K	Ra 94		320 lm/m	1293 lm/m	3772 lm/m
N	5000K	Ra 95		318 lm/m	1282 lm/m	3737 lm/m
W	4000K	Ra 94		312 lm/m	1260 lm/m	3671 lm/m
WW	3500K	Ra 95		309 lm/m	1248 lm/m	3640 lm/m
L30	3000K	Ra 94		301 lm/m	1214 lm/m	3538 lm/m
L27	2700K	Ra 94		284 lm/m	1145 lm/m	3339 lm/m
L25	2500K	Ra 94		210 lm/m	847 lm/m	2470 lm/m
L22	2200K	Ra 94		195 lm/m	789 lm/m	2303 lm/m
L20	2000K	Ra 92		178 lm/m	721 lm/m	2100 lm/m
L18	1800K	Ra 92		173 lm/m	698 lm/m	2034 lm/m