

Luci FLEX α F IP65

LFXF-0

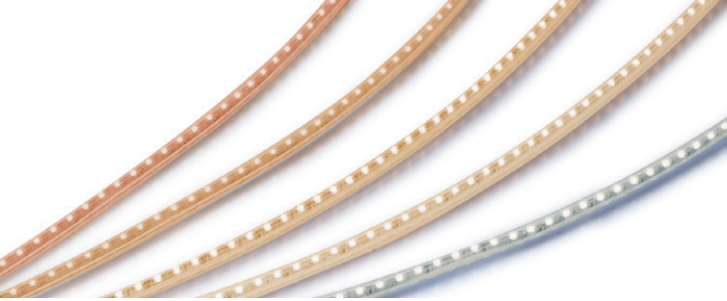


Panorama
Location: Singapore
Photo: Robert Such



The Prince Gallery Tokyo Kioicho
Location: Japan
Architect Office: Nikken Sekkei Ltd
Interior Design: Rockwell Group, Europe

Lighting Design: Lighting Planners Associates
Construction: KA JIMA CORPORATION / TEKKEN CORPORATION / Kumagai Gumi Co.,Ltd. Consortium
Photo: TOSHIO KANEKO



Luci FLEX α F IP65

Side bend flexible strip with clear or diffused soft acrylic tube
 Only 4mm thickness with side view LED package,
 suitable for limited space installation
 Customized length available up to 5m per roll

Outdoor

Strip Light

LFX-F-0

Vivoxyl FLEX IP67

UQ Sauna

UQ FLEX/UQ FLEX α IP67

Power FLEX EX IP65

Power FLEX I IP65

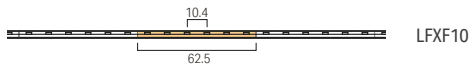
Flat FLEX F IP65

FLEX α F IP65

Specifications

Dimensions

LED pitch and unit length (mm)



Cross section W 10 x H 4 mm
Standard length 1m with both ends IP67 connector
Custom order up to 5m length at every unit length with both ends or one end feed cable with IP67 connector
 Do not allow to cut the LED fixture and cable at site.

Electrical & Output

Model	LFXF10
Power Consumption (W/m)	4.2
Luminous flux @ 3000K (lm/m)	292

Color temperature



Min Bending radius

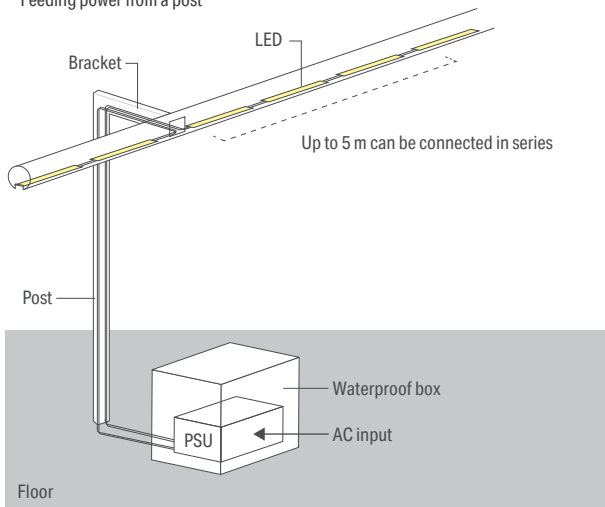
R 50mm in side (horizontal) bend direction



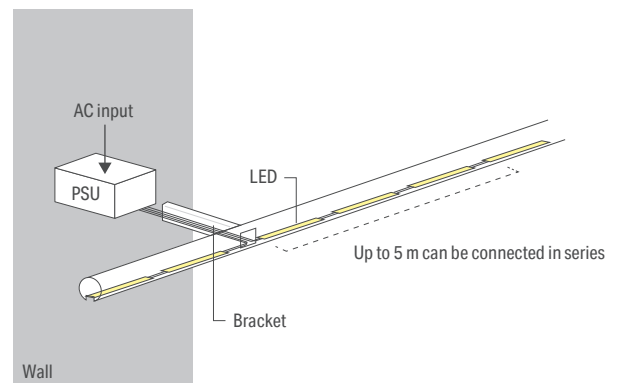
TIPS: Handrail

With the cross section of 4 x 10 mm, it is ideal for handrail lighting.
 The luminaires can be connected in series for up to 5 m. For installation through cables in posts or walls, the cable length can be customised according to site requirements.

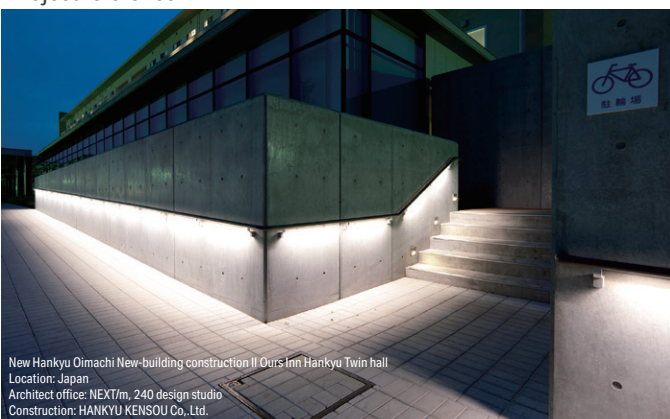
Feeding power from a post



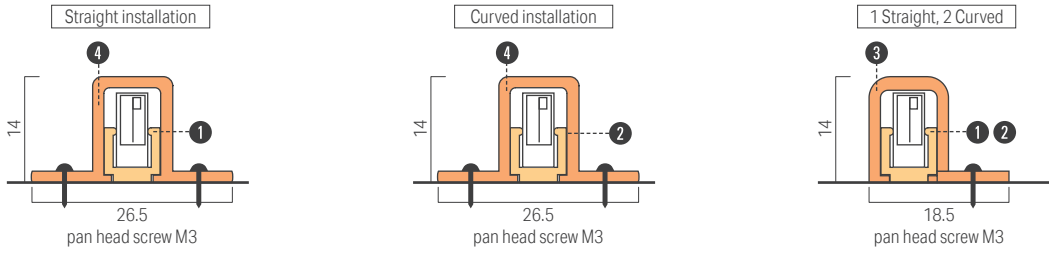
Feeding power from a wall



Project reference



Cross sectional view when installing optional items



Option parts

1 Mounting rail 1000 for FLEX α
 Model No : LFX-RL1000
 Mounting clip for FLEX α rail (10 pcs / bag) is included.

2 Mounting parts for FLEX α
 Model No : LFX-RL0015
 10 pcs / bag
 Mounting clip for FLEX α rail (10 pcs / bag) is included.
 For curved installation

3 Mounting clip B for FLEX α
 Model No : LFX-RC-B
 10 pcs / bag
 Narrower clip used with rail 1 or parts 2

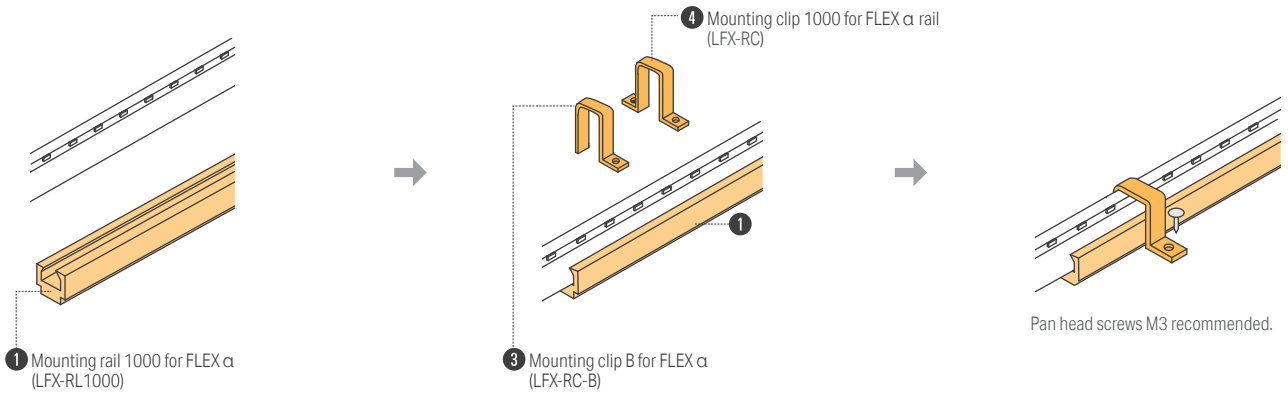
4 Mounting clip 1000 for FLEX α rail **Attachments for 1 & 2**
 Model No : LFX-RC
 for extra order, 10 pcs / bag

5 Outdoor cable 3M TR connector for FLEX **Required**
 Model No : CAD-3000-MEFE-O
 1 pc per circuit for connecting the LED fixture to power supply or dimmer driver.

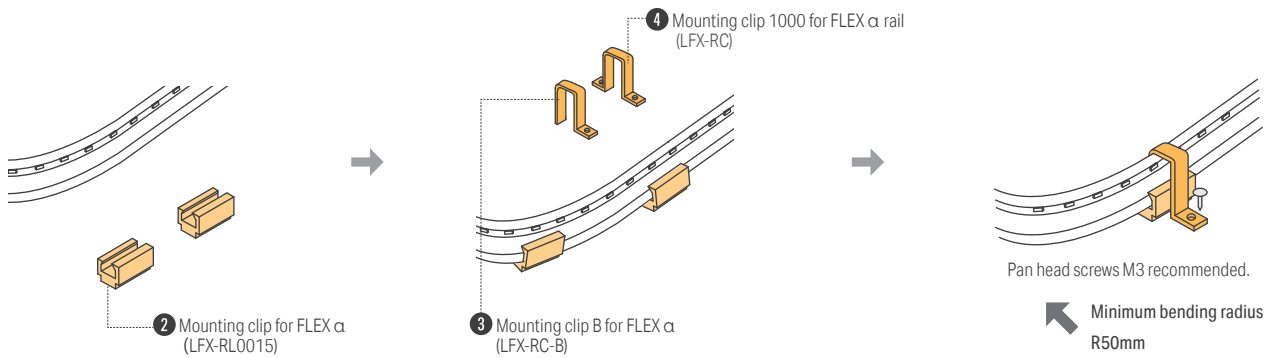
Luci FLEX α F IP65

Installing the product

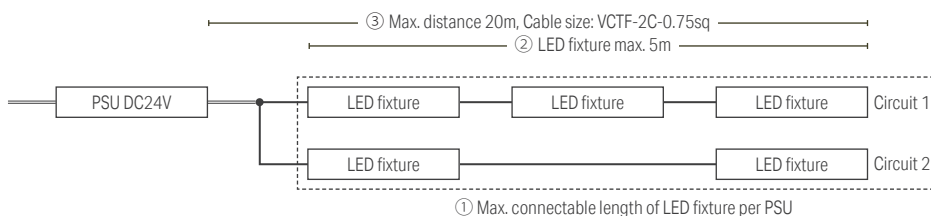
Straight installation



Curved installation



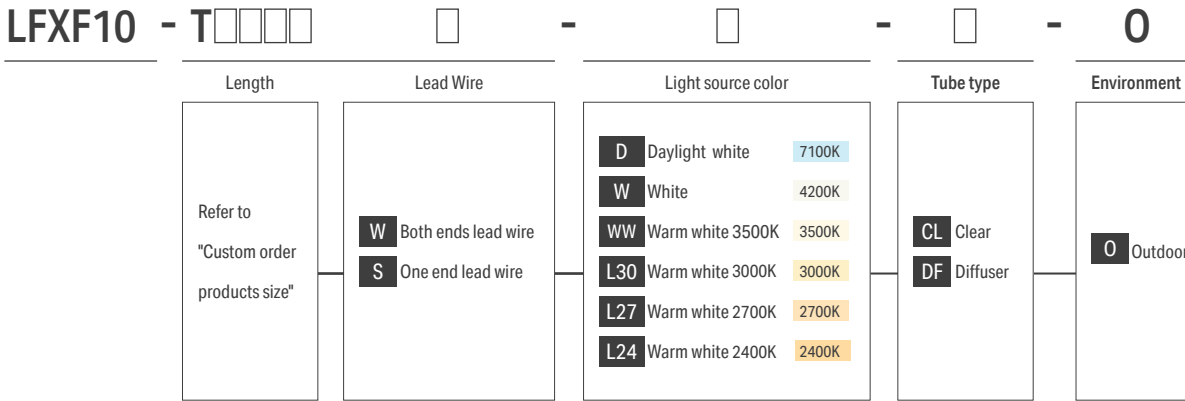
System configuration diagram



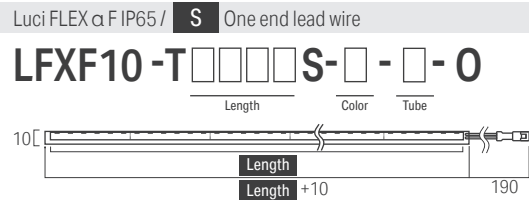
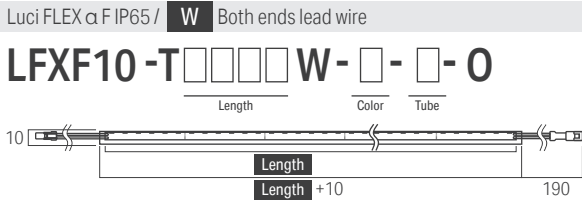
- ① Max. connectable total length of LED fixture per power supply depends on capacity of power supply. Recommended loading factor: 70% (without dimming) or 60% (with dimming)
- ② If connectable length of LED fixture per circuit exceeds the maximum, please split into multiple circuit.
- ③ To avoid voltage drop, please consider the max. distance from power supply to the end of LED fixture. (i.e. total cable length plus LED fixture length)

Luci FLEX α F IP65 -Custom order-

Model No.



External dimension



Custom order products size

Luci FLEX α F IP65 10mm pitch (4.2 W/m)				
Corresponds to Length of Model No. and External dimensions				
0063	1063	2063	3063	4063
0125	1125	2125	3125	4125
0188	1188	2188	3188	4188
0250	1250	2250	3250	4250
0313	1313	2313	3313	4313
0375	1375	2375	3375	4375
0438	1438	2438	3438	4438
0500	1500	2500	3500	4500
0563	1563	2563	3563	4563
0625	1625	2625	3625	4625
0688	1688	2688	3688	4688
0750	1750	2750	3750	4750
0813	1813	2813	3813	4813
0875	1875	2875	3875	4875
0938	1938	2938	3938	4938
1000	2000	3000	4000	5000

Color temperature of diffuser tube type

Nominal light source color temperature(clear tube)	Color temperature through diffuser tube *1	
D	7100 K	5600 K
W	4200 K	3800 K
WW	3500 K	3300 K
L30	3000 K	2900 K
L27	2700 K	2500 K
L24	2400 K	2200 K

*1: The optical data provided on the above is for reference only. Due to the tolerances of the production process, values for color temperature can vary ±10%. The lumen output value of diffuser tube type is 20~30% less than clear tube type.

