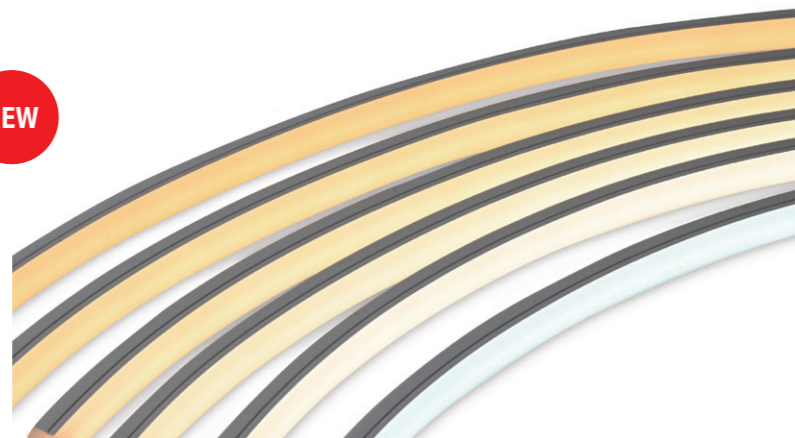


LFUY-O SHIN series NEW

Color management
MacAdam 3 step

- Updated with low wattage high lumen LED series
- Available 4 different wattage variations
- Top bend dot-free flexible strip
- IP67, max custom length 2m for outdoor usage, up to 7.5m (19.8W/m), 10m (Others)



Model No. **LFUY - T** **- DF - O -**

Product Name	Length	Lead wire	Lead wire	Light source color	Tube type	Environment	Wattage
LFUY	Custom order length	W : Both ends S : One ends	B : Back feed R : Side(Right) feed S : Straight	D : 6500K N : 5000K W : 4000K WW : 3500K L30 : 3000K L27 : 2700K L25 : 2500K L22 : 2200K L20 : 2000K	DF : Diffuser	O : Outdoor	5 : 5.9 W/m 9 : 9.9 W/m 14 : 14.9 W/m 19 : 19.8 W/m

Specification

Model No.	LFUY-T1000S/WB/R-DF-O-5	LFUY-T1000S/WB/R-DF-O-9	LFUY-T1000S/WB/R-DF-O-14	LFUY-T1000S/WB/R-DF-O-19
Wattage	5.9 W/m	9.9 W/m	14.9 W/m	19.8 W/m
Fitting length	Refer to Custom order length			
Weight				
Luminaire efficacy(2700K)	79.9 lm/W	79.2 lm/W	77.8 lm/W	75.2 lm/W
Light source color	○ = Device inventory * = Please contact us since it's built to order			
D 6500K	Ra96 * 536 lm	* 886 lm	* 1306 lm	* 1683 lm
N 5000K	Ra93 ○ 532 lm	○ 878 lm	○ 1294 lm	○ 1668 lm
W 4000K	Ra97 ○ 522 lm	○ 862 lm	○ 1271 lm	○ 1638 lm
WW 3500K	Ra97 ○ 517 lm	○ 855 lm	○ 1259 lm	○ 1623 lm
L30 3000K	Ra95 ○ 503 lm	○ 831 lm	○ 1225 lm	○ 1578 lm
L27 2700K	Ra94 ○ 475 lm	○ 784 lm	○ 1155 lm	○ 1489 lm
L25 2500K	Ra94 ○ 351 lm	○ 580 lm	○ 855 lm	○ 1102 lm
L22 2200K	Ra93 * 328 lm	* 541 lm	* 797 lm	* 1027 lm
L20 2000K	Ra91 * 299 lm	* 494 lm	* 728 lm	* 938 lm

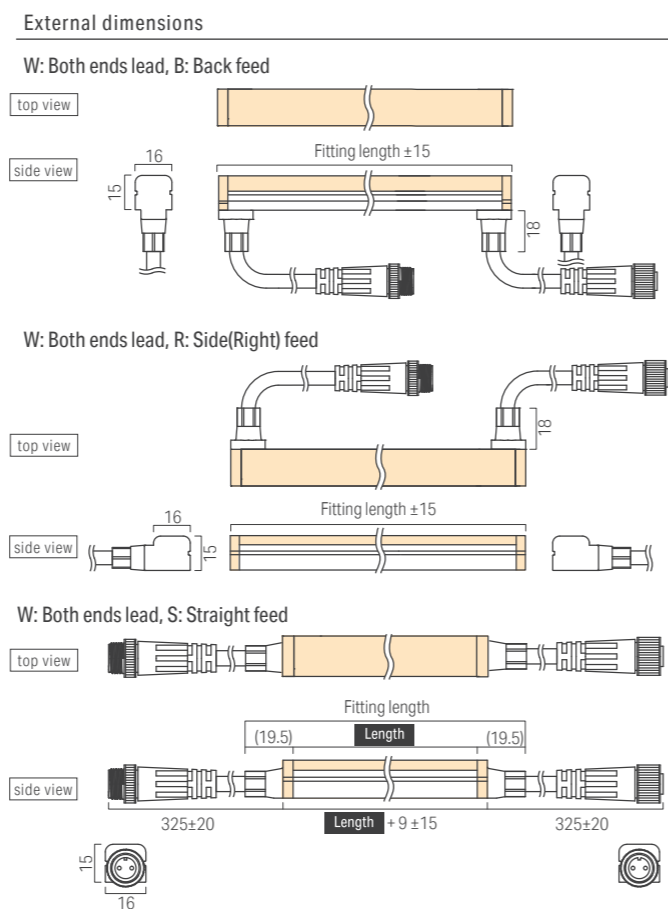
Please contact our sales staff regarding the delivered CCT. Specification may be subject to change without announcement. The optical data provided on the each product pages are for reference only; the data values are not guaranteed. Please use as reference materials for your planning.

General Specification

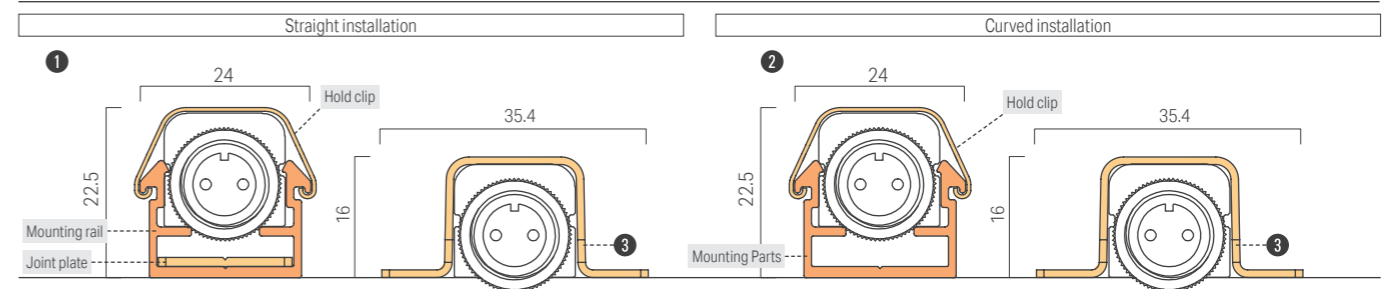
Input voltage	DC24V
Environment	Outdoor IP67, Indoor
Max. fixture length	2m
Max. length Per circuit	7.5m (19.8W/m), 10m (Others)
Min. bending range	R150mm
Material	Silicone
Attachments	-
Accessories	① Mounting rail set ② Mounting parts set ③ Mounting Clip ④ Power supply cable ⑤ Joint cable
Certification	CE
Dimmable	Yes (0-10V/1-10V, DMX, DALI, PWM, Casambi)

Max. connectable length per PSU

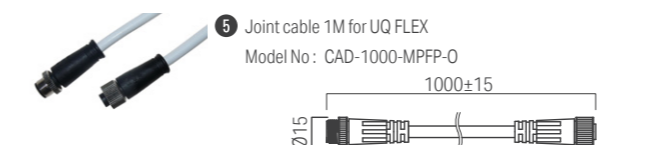
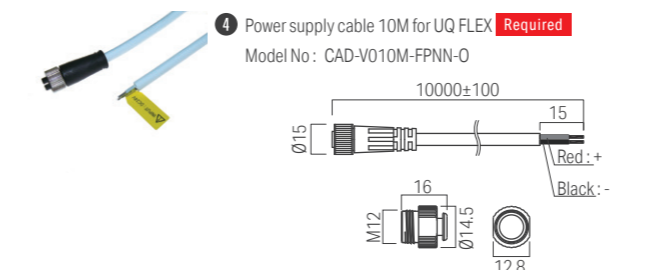
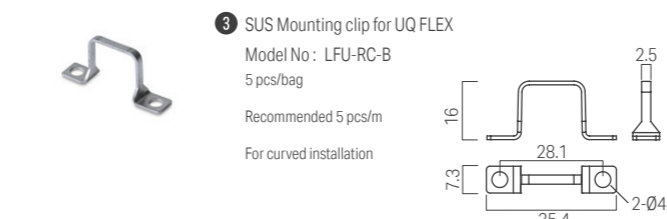
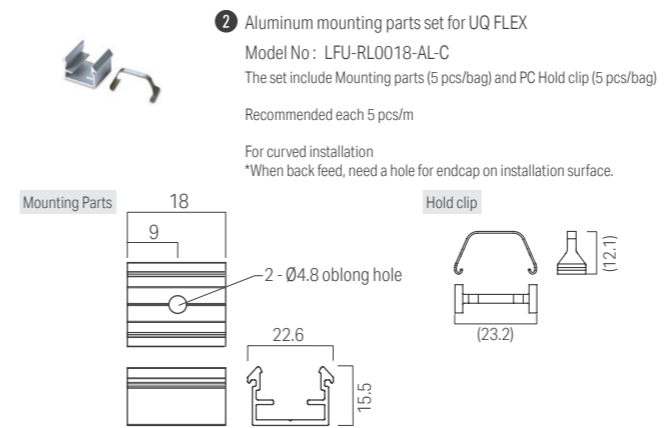
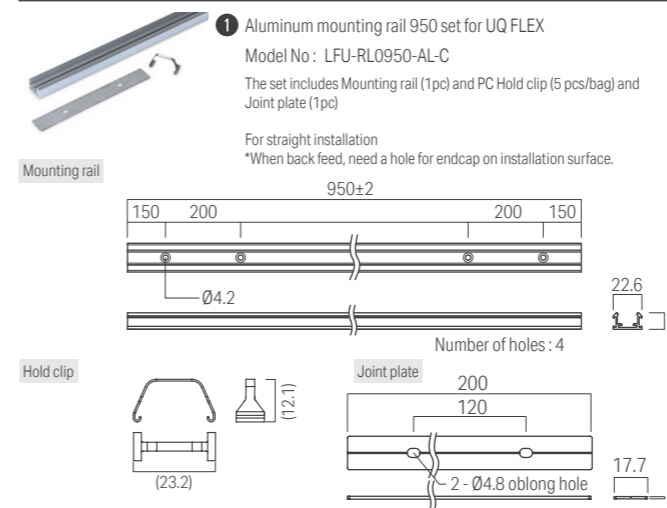
Length of light fixture (70% loading factor) *: split into multiple circuits				PSU
5.9 W/m	9.9 W/m	14.9 W/m	19.8 W/m	
~5.9m	~3.5m	~2.4m	~1.8m	50W
~11.8m*	~7.1m	~4.7m	~3.5m	100W
~17.7m*	~10.6m*	~7.1m	~5.3m	150W



Cross sectional view with accessories



Accessories



Custom order length

Luci SHIN UQ FLEX IP67 (5.9 W/m, 9.9 W/m, 14.9 W/m, 19.8 W/m)

Corresponds to Length of Model No. and External dimensions

Length	Fitting length (mm)				
	WR/WB	WS	SB	SR	SS
0050	59	90	56.5	56.5	72
0100	109	140	106.5	106.5	122
0150	159	190	156.5	156.5	172
0200	209	240	206.5	206.5	222
0250	259	290	256.5	256.5	272
0300	309	340	306.5	306.5	322
0350	359	390	356.5	356.5	372
0400	409	440	406.5	406.5	422
0450	459	490	456.5	456.5	472
0500	509	540	506.5	506.5	522
0550	559	590	556.5	556.5	572
0600	609	640	606.5	606.5	622
0650	659	690	656.5	656.5	672
0700	709	740	706.5	706.5	722
0750	759	790	756.5	756.5	772
0800	809	840	806.5	806.5	822
0850	859	890	856.5	856.5	872
0900	909	940	906.5	906.5	922
0950	959	990	956.5	956.5	972
1000	1009	1040	1006.5	1006.5	1022
1050	1059	1090	1056.5	1056.5	1072
1100	1109	1140	1106.5	1106.5	1122
1150	1159	1190	1156.5	1156.5	1172
1200	1209	1240	1206.5	1206.5	1222
1250	1259	1290	1256.5	1256.5	1272
1300	1309	1340	1306.5	1306.5	1322
1350	1359	1390	1356.5	1356.5	1372
1400	1409	1440	1406.5	1406.5	1422
1450	1459	1490	1456.5	1456.5	1472
1500	1509	1540	1506.5	1506.5	1522
1550	1559	1590	1556.5	1556.5	1572
1600	1609	1640	1606.5	1606.5	1622
1650	1659	1690	1656.5	1656.5	1672
1700	1709	1740	1706.5	1706.5	1722
1750	1759	1790	1756.5	1756.5	1772
1800	1809	1840	1806.5	1806.5	1822
1850	1859	1890	1856.5	1856.5	1872
1900	1909	1940	1906.5	1906.5	1922
1950	1959	1990	1956.5	1956.5	1972
2000	2009	2040	2006.5	2006.5	2022

Prohibited installation places

- pooling water
 - liquids including chlorine or chemicals
 - high temperature and high humidity such as saunas
 - coastal areas which are affected by sea spray
- Do not cut the outdoor light and the lead wire at a job site. Please do appropriate waterproof treatment for the outdoor lead wire and connector according to product manuals.

