

Luci SHIN UQ FLEX  $\alpha$  mini IP67

# LFUMAY-0 NEW SHIN series



9 Penang Road  
Location: Singapore  
Lighting Design: Arup Singapore



The Prince Gallery Tokyo Kioicho  
Location: Japan  
Architect Office: Nikken Sekkei Ltd  
Interior Design: Rockwell Group, Europe

Lighting Design: Lighting Planners Associates  
Construction: KAJIMA CORPORATION / TEKKEN CORPORATION / Kumagai Gumi Co.,Ltd. Consortium  
Photo: TOSHIO KANEKO

# Luci UQ FLEX mini α IP67

Compact, side-bended homogenize bendable linear light, Ideal for big scale projects such as landscape, handrail lighting as PSU can be placed in long distance away from light fixture.

## Specifications

### Dimensions

Cross section W 10 x H 12 mm  
 Custom order up to 2 m at every 50 mm length with both ends or one end feed cable  
**Up to 2 m in 50 mm increment**

Feed cables are available in two directions: side and back.  
 Do not allow to cut the LED fixture and cable at site.

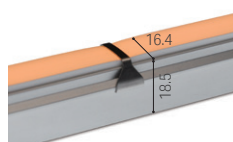
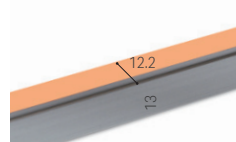
### Electrical & Output

Model	14	9	5	4	2
Power Consumption (W/m)	14.9	9.9	5.9	4.0	2.1
Luminous flux @ 3000K (lm/m)	741	475	293	191	93

### Accessories

For minimum size installation  
 LFUMY-RL0950-AL-L

For down-wards or vertical installation  
 LFUMY-RL0950-AL-H

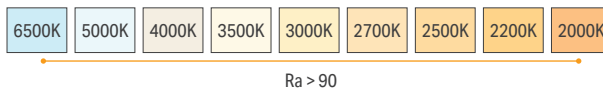


For curved installation

LFUMY-RL0018-AL-H / LFUMY-RL0018-AL-L

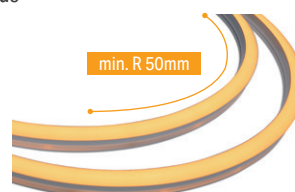


### Color temperature



Please refer to the product specification page for the delivered CCT.

### Min Bending radius



### Cable feed directions

#### Back feed

For direct view  
 Required a hole/depth for cable on installation surface.



#### Side(Right) feed

For indirect cove

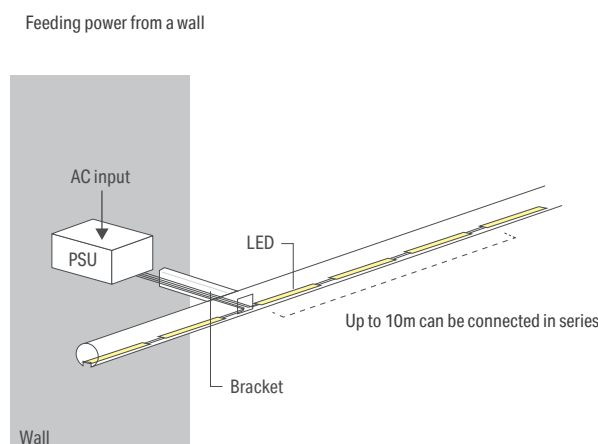
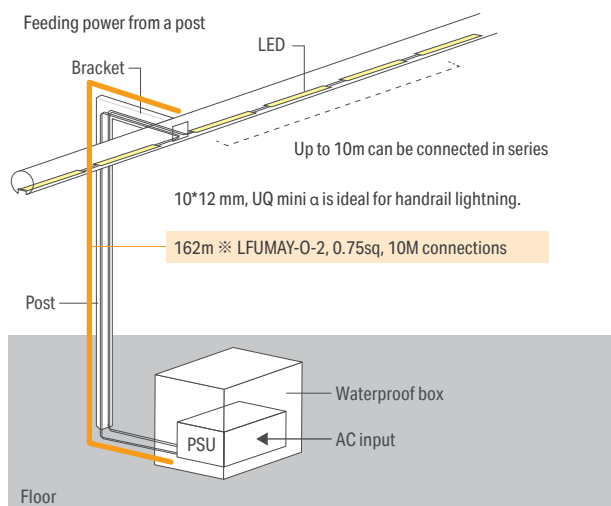


### Max cable length between PSU and the top of illuminaire at 10m

Model No.	Wattage	Max cable length between PSU and the top of illuminaire at Max length per circuit		
		0.3 sq	0.5 sq	0.75 sq
LFUMAY-T1000**.-DF-O-2	2.1 W/m	64 m	103 m	162 m
LFUMAY-T1000**.-DF-O-4	4.0 W/m	30 m	49 m	77 m
LFUMAY-T1000**.-DF-O-5	5.9 W/m	18 m	29 m	45 m
LFUMAY-T1000**.-DF-O-9	9.9 W/m	8 m	13 m	20 m
LFUMAY-T1000**.-DF-O-14	14.9 W/m	3.1 m	5 m	7.8 m

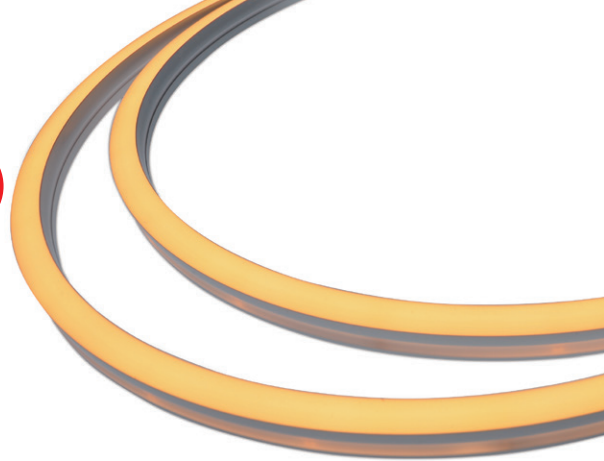
### Handrail application

With the cross section of 10\*12mm, UQ mini α is ideal for handrail lighting.  
 The luminaires can be connected in series for up to 10 m.  
 For installation through cables in posts or walls, the cable length can be customised according to site requirements.





# LFUMAY-0 SHIN series NEW



Color management  
MacAdam 3 step CE

- Thanks to the design of constant current circuit board, distance from PSU to the fixture can be max 162m for 2W/m product. Ideal for big scale projects.
- Suitable for landscape, canopy area, toilet area.
- Customisable up to 2m, connectable 10m per circuit.

Model No.

**LFUMAY - T**               **-**   **- DF - 0 -**  

Product Name	Length	Lead wire	Lead wire	Light source color	Tube type	Environment	Wattage
LFUMAY	Custom order length	W: Both ends S: One end	B: Back feed R: Side(Right) feed	D : 6500K N : 5000K W : 4000K WW : 3500K L30 : 3000K L27 : 2700K L25 : 2500K L22 : 2500K L20 : 2000K	DF : Diffuser	O : IP67	2 : 2.1W 4 : 4.0W 5 : 5.9W 9 : 9.9W 14 : 14.9W

### Specification

Model No.	LFUMAY-T1000S/WB/R-DF-O-14	LFUMAY-T1000S/WB/R-DF-O-9	LFUMAY-T1000S/WB/R-DF-O-5	LFUMAY-T1000S/WB/R-DF-O-4	LFUMAY-T1000S/WB/R-DF-O-2
Wattage	14.9 W/m	9.9 W/m	5.9 W/m	4.0 W/m	2.1 W/m
Fitting length	1009mm (Refer to Custom order length)				
Weight	-				
Luminaire efficacy(2700K)	44 lm/W	45.3 lm/W	46.5 lm/W	45.5 lm/W	42.6 lm/W
Light source color	Delivered CCT ○ = Device inventory				
D 6500K Ra95	6100K ○ 790lm	○ 507lm	○ 312lm	○ 204lm	○ 100lm
N 5000K Ra92	4600K ○ 783lm	○ 502lm	○ 309lm	○ 202lm	○ 99lm
W 4000K Ra96	3600K ○ 769 lm	○ 493 lm	○ 304 lm	○ 198 lm	○ 97 lm
WW 3500K Ra96	3200K ○ 762 lm	○ 489 lm	○ 301 lm	○ 196 lm	○ 96 lm
L30 3000K Ra94	2700K ○ 741 lm	○ 475 lm	○ 293 lm	○ 191 lm	○ 93 lm
L27 2700K Ra93	2500K ○ 699 lm	○ 448 lm	○ 276 lm	○ 180 lm	○ 88 lm
L25 2500K Ra93	2300K ○ 517 lm	○ 332 lm	○ 204 lm	○ 133 lm	○ 65 lm
L22 2200K Ra92	2000K ○ 482 lm	○ 309 lm	○ 191 lm	○ 124 lm	○ 61 lm
L20 2000K Ra90	1800K ○ 440 lm	○ 283 lm	○ 174 lm	○ 114 lm	○ 56 lm

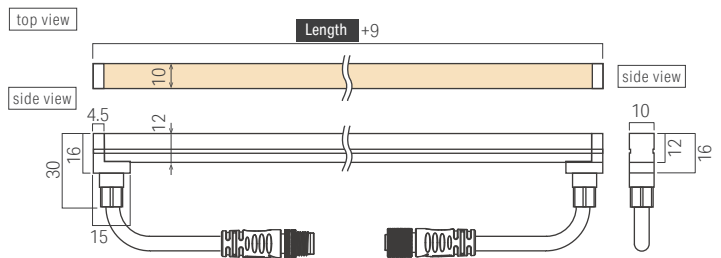
Specification may be subject to change without announcement. The optical data provided on the each product pages are for reference only; the data values are not guaranteed. Please use as reference materials for your planning.

### General Specification

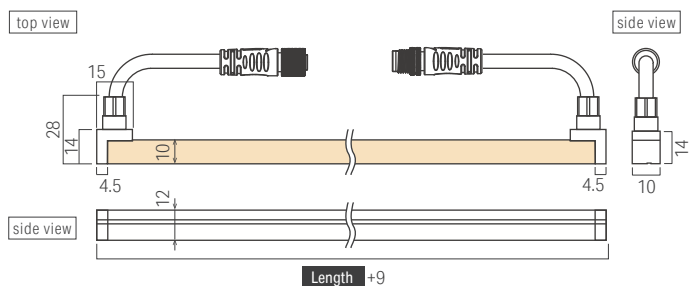
Input voltage	DC24V
Environment	Outdoors (no condensation)
Max. length	2m
Max. length Per circuit	10m
Min. bending range	R50mm
Material (body)	Silicone
Attachments	-
Accessories	① Mounting rail set ② Mounting parts set ③ Mounting rail ④ Mounting parts ⑤ Power supply cable ⑥ Joint cable
Certification	CE
Dimmable	Yes (0-10V/1-10V, DMX, DALI, PWM)
Power Supplies	Required

### External dimensions

W: Both ends lead, B: Back feed



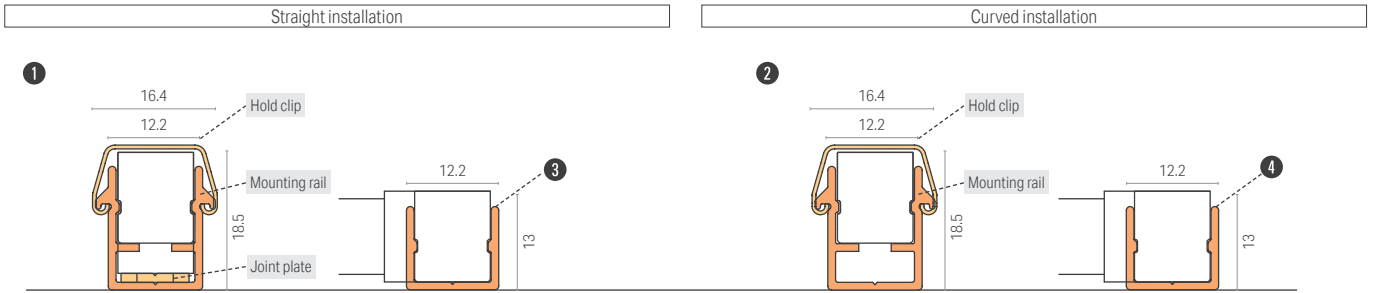
W: Both ends lead, R: Side(Right) feed



### Max. connectable length per PSU

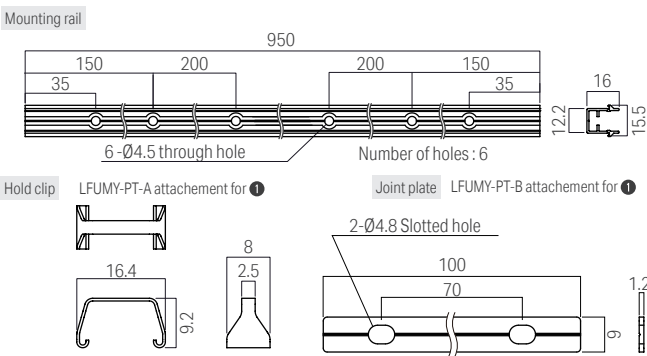
Length of LED fixture (70% loading factor) *: split into multiple circuits					PSU
14.9 W/m	9.9 W/m	5.9 W/m	4.0 W/m	2.1 W/m	
~2.4m	~3.5m	~5.9m	~8.8m	~16.9m*	50W
~4.7m	~7.1m	~11.8m*	~17.7m*	~33.8m*	100W
~7.1m	~10.6m*	~17.7m*	~26.5m*	~50.7m*	150W

## Cross sectional view with accessories

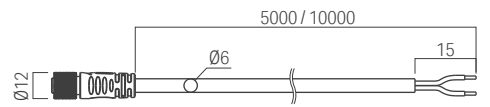


## Accessories

**1** Aluminium mounting rail High 950 set for UQ FLEX mini  
 Model No : LFUMY-RL0950-AL-H  
 The set include Mounting rail (1pc) and Hold clip (5 pcs/bag) and Joint plate (1pc)  
 For downwards and vertical installation.

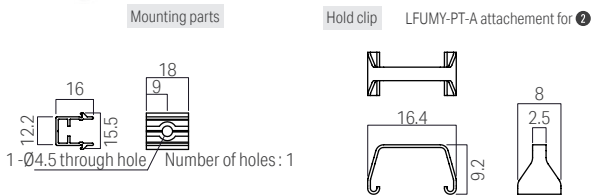


- 5** Power supply cable 5M for UQ Flex mini IP67  
 Model No : CAD-V5000-FGNN-O
- 5** Power supply cable 10M for UQ Flex mini IP67  
 Model No : CAD-V010M-FGNN-O



**6** Joint cable 1M for UQ FLEX mini IP67  
 Model No : CAD-V1000-MGFG-O

**2** Aluminium mounting parts High 18 set for UQ FLEX mini  
 Model No : LFUMY-RL0018-AL-H  
 The set include Mounting parts (5 pcs/bag) and Hold clip (5 pcs/bag)  
 Recommended each 5 pcs/m  
 For curved installation (Back feed)



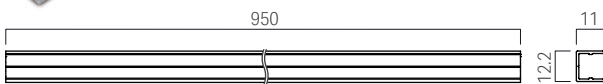
## Custom order length

Luci SHIN UQ FLEX mini α IP67 (2.1 W/m, 4.0 W/m, 5.9 W/m, 9.9 W/m, 14.9 W/m)

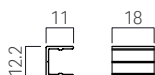
Corresponds to Length of Model No. and External dimensions

Length	Fitting length (mm)	Length	Fitting length (mm)
0050	59	1050	1059
0100	109	1100	1109
0150	159	1150	1159
0200	209	1200	1209
0250	259	1250	1259
0300	309	1300	1309
0350	359	1350	1359
0400	409	1400	1409
0450	459	1450	1459
0500	509	1500	1509
0550	559	1550	1559
0600	609	1600	1609
0650	659	1650	1659
0700	709	1700	1709
0750	759	1750	1759
0800	809	1800	1809
0850	859	1850	1859
0900	909	1900	1909
0950	959	1950	1959
1000	1009	2000	2009

**3** Aluminium mounting rail Low 950 for UQ FLEX mini  
 Model No : LFUMY-RL0950-AL-L  
 For upwards installation.



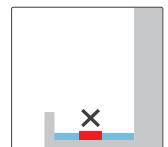
**4** Aluminium mounting parts Low 18 for UQ FLEX mini  
 Model No : LFUMY-RL0018-AL-L  
 5pcs/bag  
 For curved installation (Side feed)



## Prohibited installation places

Do not cut the LED fixture and the lead wire of outdoor product at a job site. Please do appropriate treatment for the lead wire and connector of the terminal of outdoor LED fixture.

- pooling water
- liquids including choline or chemicals
- high temperature and high humidity such as saunas
- coastal areas which are affected by sea spray



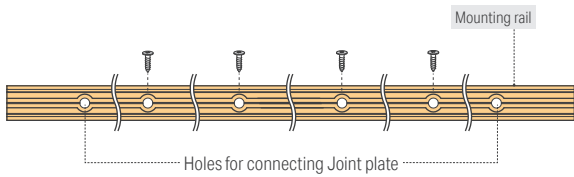
# Luci SHIN UQ FLEX mini α IP67

## Installing the product

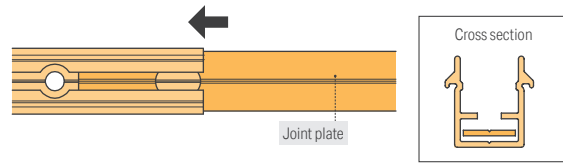
### Installation with Rail

1 Aluminium mounting rail High 950 set for UQ FLEX mini (LFUMY-RL0950-AL-H)

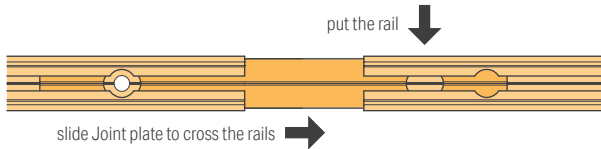
1 Fix the aluminium rail by screws (pan head screw M4 recommended) supplied by installer. The screw holes at both ends should be left unused for installing with the Joint.



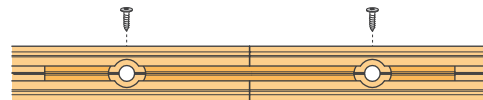
2 When two or more rails are installed in a straight line, insert the Joint plate (LFUMY-PT-B) into bottom of the rail.



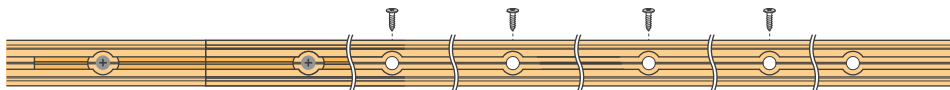
3 Put the second rail and slide the Joint plate as below.



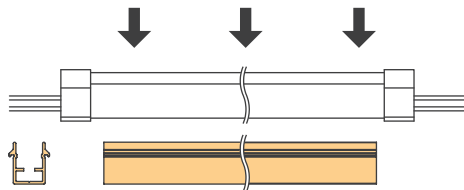
4 Fix the holes of rails and plate altogether by screws.



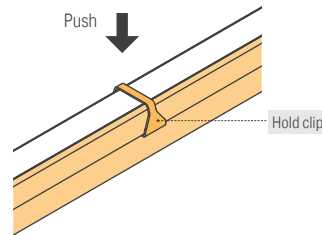
5 Fix the holes of second rail for installation like 1...



6 When installing LFUMAY on the mounting rail high, the light fixture shall first be placed horizontally on the rail and the entire light fixture shall be pushed gradually down into the rail so that the light fixture does not bend vertically.



7 Push the SUS hold clip (LFUMY-PT-A) until click sound and make sure it is securely locked. SUS hold clip is recommended in the environment where requires durability or downwards installation. Recommended number of LFUMY-PT-A is minimum 3 pcs / m.

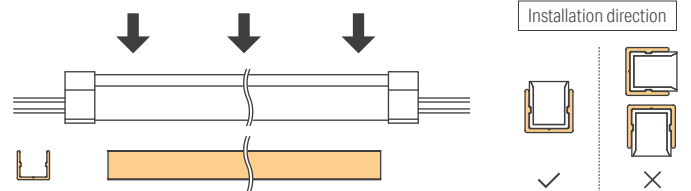


### Installation with Rail

3 Aluminium mounting rail Low 950 for UQ FLEX mini (LFUMY-RL0950-AL-L)

1 Fix the aluminium rail Low by double-sided tape.

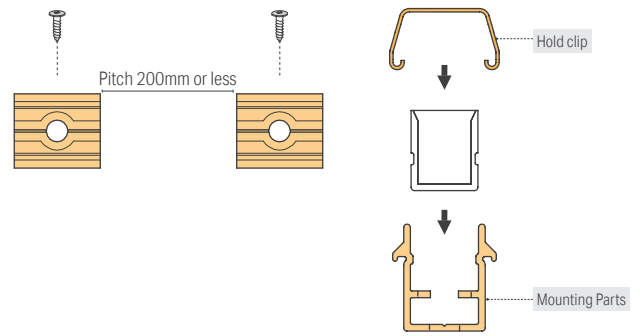
2 When installing LFUMAY on the mounting rail Low, the light fixture shall first be placed horizontally on the rail and the entire light fixture shall be pushed gradually down into the rail so that the light fixture does not bend vertically. There is no Hold clip for rail Low. Therefore, when using rail Low, do not mount the light surface sideways or downward.



## Installation with parts

### ② Aluminium mounting parts High 18 set for UQ FLEX mini (LFUMY-RL0018-AL-H)

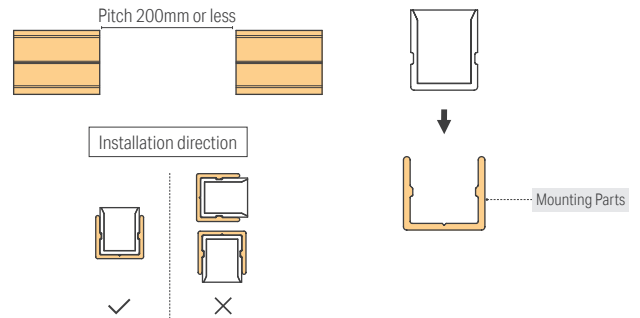
- Fix the aluminum mounting parts by 1 pc of screw to the points where the light fixture is to be installed. (pan head screw M4 recommended).  
The recommended distance between clips is 200 mm or less. The mounting parts at both ends should be 50 mm away from the ends of the light fixture to prevent it from lifting.
- Push the light fixture into the clip while keeping the correct bending direction.  
Caution: Do not bend the light fixture in the wrong direction.
- Put the SUS hold clip (LFUMY-PT-A) until click sound and make sure it is securely locked. The hold clips should be used if the light fixture is easily dislodged or installed downward.



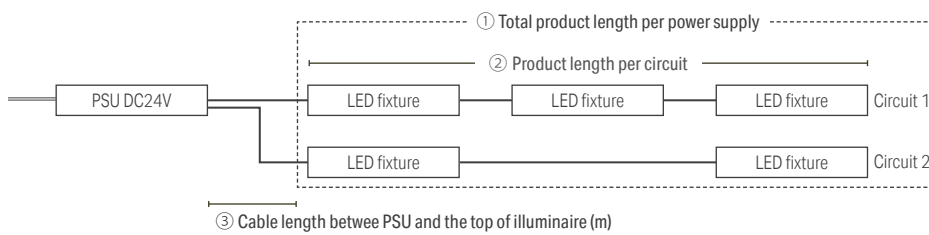
## Installation with parts

### ④ Aluminium mounting parts Low 18 for UQ FLEX mini (LFUMY-RL0018-AL-L)

- Fix the aluminum mounting parts Low by double sided-tape.
- Push the light fixture into the clip while keeping the correct bending direction.  
Caution: Do not bend the light fixture in the wrong direction.  
There is no Hold clip for rail Low.
- Therefore, when using rail Low, do not mount the light surface sideways or downward.



## System configuration diagram



- Total product length per power supply depends on capacity of the power supply. Recommended loading factor is 70% (without dimming) or 60% (with dimming).
- Product length per circuit shall not exceed maximum product length per circuit. If the product length per circuit exceeds the maximum, split into multiple circuits.
- To minimize voltage drop, select appropriate wire gauge / diameter and consider the cable length between PSU and the top of luminaire referring to the following table. If longer cable distances are required, use thicker wires or reduce the loading of the lighting fixtures in the circuit.

### ① Max. connectable length per PSU

Length of LED fixture (70% loading factor) *: split into multiple circuits					PSU
14.9 W/m	9.9 W/m	5.9 W/m	4.0 W/m	2.1 W/m	
~2.4m	~3.5m	~5.9m	~8.8m	~16.9m*	50W
~4.7m	~7.1m	~11.8m*	~17.7m*	~33.8m*	100W
~7.1m	~10.6m*	~17.7m*	~26.5m*	~50.7m*	150W

Model No.	Wattage	Wire gauge			
		Cross section	0.3 sq	0.5 sq	0.75 sq
		Wire gauze	AWG 22	AWG 20	AWG 18
		② Max length per circuit	③ Max cable length between PSU and the top of luminaire at		② Max length per circuit
LFUMAY-T1000**.-DF-O-2	2.1 W/m	10 m	64 m	103 m	162 m
LFUMAY-T1000**.-DF-O-4	4.0 W/m	10 m	30 m	49 m	77 m
LFUMAY-T1000**.-DF-O-5	5.9 W/m	10 m	18 m	29 m	45 m
LFUMAY-T1000**.-DF-O-9	9.9 W/m	10 m	8 m	13 m	20 m
LFUMAY-T1000**.-DF-O-14	14.9 W/m	10 m	3.1 m	5 m	8 m

※ The length of cable that can be connected varies depending on the voltage drop.

# Luci SHIN UQ FLEX mini α IP67

Luci SHIN UQ FLEX mini α IP67 -Custom order-

Model No.

**LFUMAY - T**           **-**   **-** **DF** **-** **O** **-**

Product name	Length	Lead Wire	Light source color	Tube type	Environment	Wattage
Refer to "Custom order products size"		<b>W</b> Both ends lead wire <b>S</b> One end lead wire	<b>D</b> Daylight white 6500K <b>N</b> Natural white 5000K <b>W</b> White 4000K <b>WW</b> Warm white 3500K 3500K <b>L30</b> Warm white 3000K 3000K <b>L27</b> Warm white 2700K 2700K <b>L25</b> Warm white 2500K 2500K <b>L22</b> Warm white 2200K 2200K <b>L20</b> Warm white 2000K 2000K	<b>DF</b> Diffuser	<b>O</b> Outdoor	<b>14</b> 14.9W
		<b>B</b> Back feed <b>R</b> Side(Right) feed				<b>9</b> 9.9W
						<b>5</b> 5.9W
						<b>4</b> 4.0W
						<b>2</b> 2.1W

## External dimension

Luci SHIN UQ FLEX mini α IP67 / **W** Both ends lead wire, **B** Back feed

**LFUMAY - T**       **WB -**  **- DF - O -**

Luci SHIN UQ FLEX mini α IP67 / **S** One end lead wire, **B** Back feed

**LFUMAY - T**       **SB -**  **- DF - O -**

Luci SHIN UQ FLEX mini α IP67 / **W** Both ends lead wire, **R** Side(Right) feed

**LFUMAY - T**       **WR -**  **- DF - O -**

Luci SHIN UQ FLEX mini α IP67 / **S** One end lead wire, **R** Side(Right) feed

**LFUMAY - T**       **SR -**  **- DF - O -**

## Custom order products size

Luci SHIN UQ FLEX α mini IP67 (14.9 W/m, 9.9 W/m, 5.9 W/m, 4.0 W/m, 2.1 W/m)									
Corresponds to Length of Model No. and External dimensions									
0050	0250	0450	0650	0850	1050	1250	1450	1650	1850
1000	0300	0500	0700	0900	1100	1300	1500	1700	1900
0150	0350	0550	0750	0950	1150	1350	1550	1750	1950
0200	0400	0600	0800	1000	1200	1400	1600	1800	2000





# Luci SHIN UQ FLEX mini α IP67

## Illuminance data



### LFUMAY-O Luci SHIN UQ FLEX mini α IP67

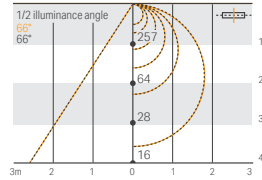
Color temperature

6500K 5000K 4000K 3500K 3000K 2700K 2500K 2200K 2000K

#### Direct horizontal surface light intensity distribution chart

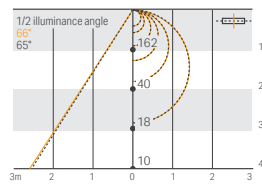
##### LFUMAY-T1000\*\*-L30-DF-O-14

Light source color 3000K  
 Brightness 257 cd  
 Luminous flux 741 lm  
 Color rendering index Ra 94



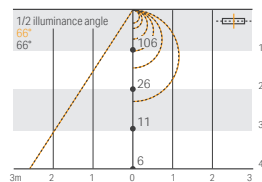
##### LFUMAY-T1000\*\*-L30-DF-O-9

Light source color 3000K  
 Brightness 162 cd  
 Luminous flux 475 lm  
 Color rendering index Ra 94



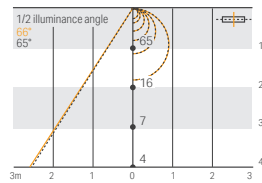
##### LFUMAY-T1000\*\*-L30-DF-O-5

Light source color 3000K  
 Brightness 106 cd  
 Luminous flux 293 lm  
 Color rendering index Ra 94



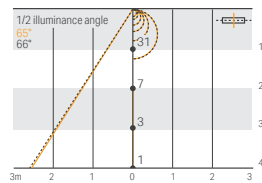
##### LFUMAY-T1000\*\*-L30-DF-O-4

Light source color 3000K  
 Brightness 79 cd  
 Luminous flux 191 lm  
 Color rendering index Ra 94



##### LFUMAY-T1000\*\*-L30-DF-O-2

Light source color 3000K  
 Brightness 31 cd  
 Luminous flux 93 lm  
 Color rendering index Ra 94

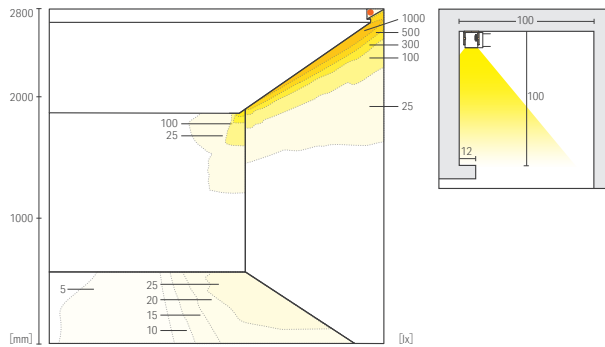


## 14W

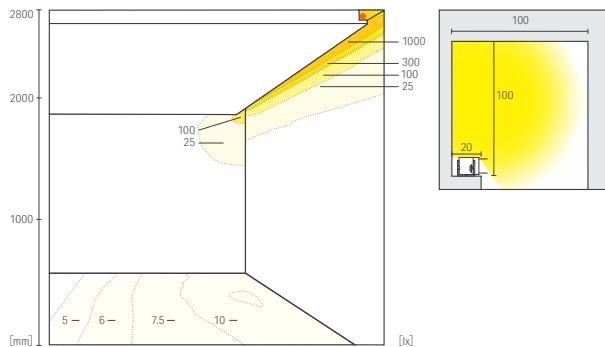
#### Recommend dimensions and illumination distributions @2700K

@2700K

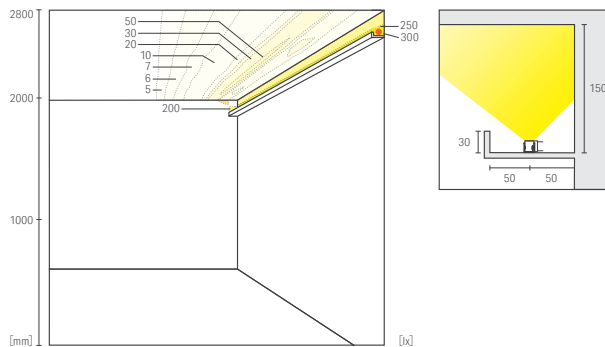
##### Cornice lighting-1 CH=2800



##### Cornice lighting-2 CH=2800



##### Cove lighting CH=2800



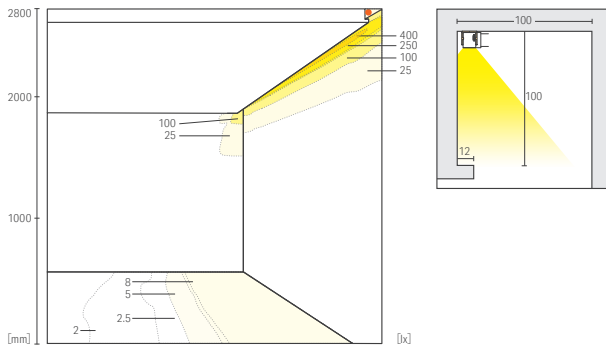
5W

2W

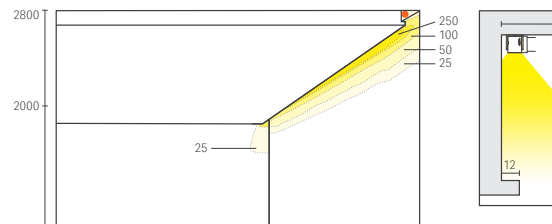
Recommend dimensions and illumination distributions

@2700K

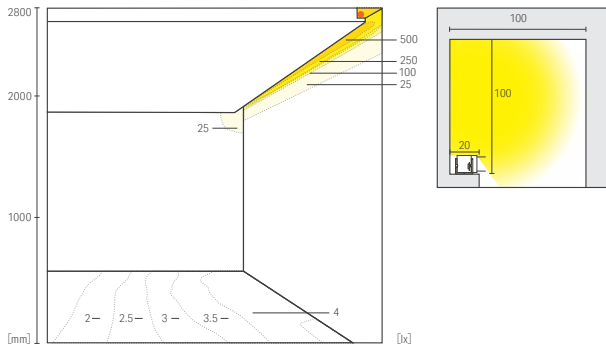
Cornice lighting-1 CH=2800



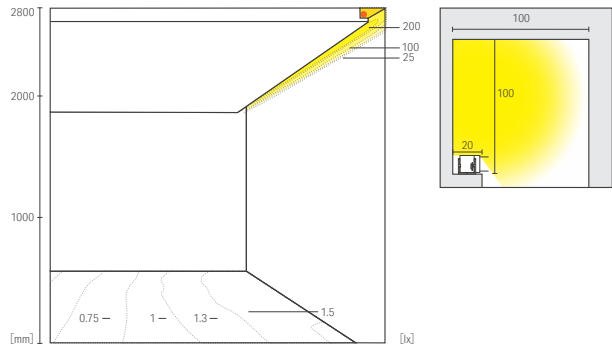
Cornice lighting-1 CH=2800



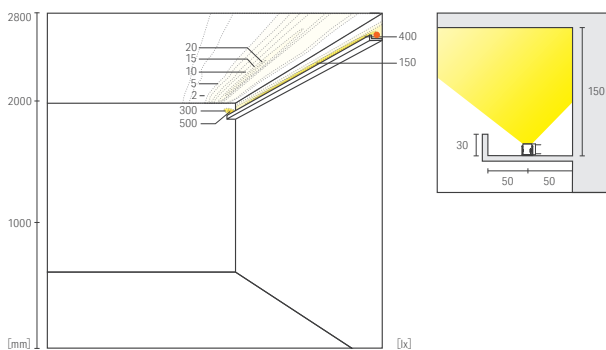
Cornice lighting-2 CH=2800



Cornice lighting-2 CH=2800



Cove lighting CH=2800



Cove lighting CH=2800

