

Luci SHIN UQ FLEX mini α Indoor

# LFUMAY-I NEW SHIN series



Sheraton Baku Airport Hotel  
Location: Azerbaijan  
Interior Architects and Designers: Alex Kravetz Design

Lighting design: Elektra Lighting Design  
Photo: Alex Kravetz



Samantha Thavasa Harbour City  
Location: Hong Kong  
Interior design: ROOTS,inc

Lighting design: Y-LIGHTS Inc.  
Construction: SOGO DESIGN HONG KONG CO.,LTD.



# Luci SHIN UQ FLEX mini α Indoor

Compact, side-bended homogenize bendable linear light  
cuttable every 50mm at site.  
Ideal choice to avoid unpleasant dot reflection  
for curved lighting.

Indoor  
Strip Light

LFUMAY-I  
SHIN UQ FLEX mini α Indoor

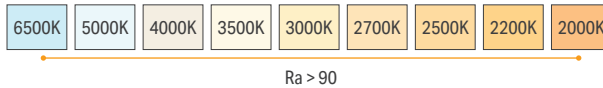
## Specifications

### Dimensions

Cross section W 10 x H 12 mm  
Custom order up to 3 m at every 50 mm length with both ends or one end feed cable  
**Up to 3 m in 50 mm increment**

Feed cables are available in two directions: side or back feed  
Light fixture cuttable every 50mm at site. If a luminaire with both-side feed cable is cut, the left and right sides of the luminaire can be used separately, as a one-sided feed fixture.

### Color temperature

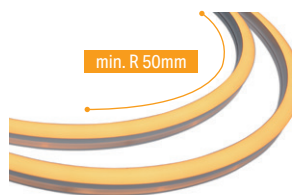


Please refer to the product specification page for the delivered CCT.

### Electrical & Output

Model	15	10	6	4	2
Power Consumption (W/m)	15.9	10.8	6.4	4.2	2.1
Luminous flux @ 3000K (lm/m)	911	635	364	263	131

### Min Bending radius

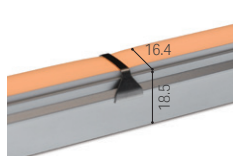
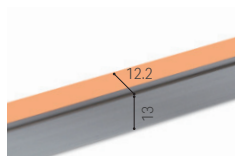


### Accessories

For minimum size installation  
LFUMY-RL0950-AL-L

For downwards or vertical installation  
LFUMY-RL0950-AL-H

For curved installation  
LFUMY-RL0018-AL-H / LFUMY-RL0018-AL-L

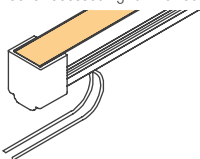


## Features

### Cable feed directions

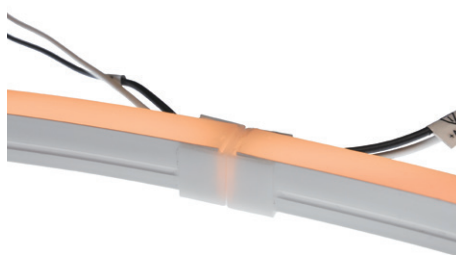
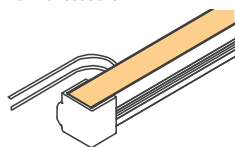
#### Back feed

For cove/recessed light in various cable outgoing directions



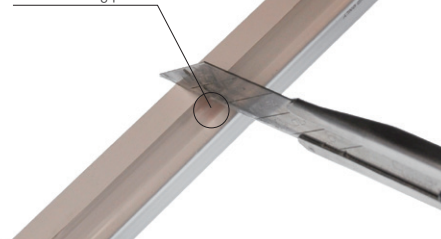
#### Side(Right) feed

For indirect cove

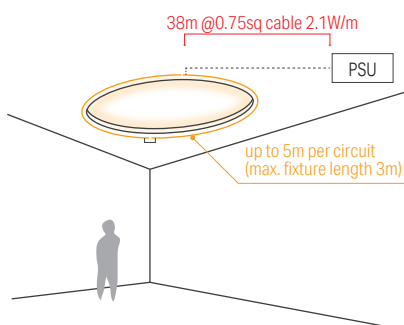


Less visible dark spot at joint  
Easy and safe connection of two fixtures  
with attached connector

Visible cutting point



Customizable and cuttable at site every 50mm length  
Suitable for project with complex length requirements which  
accurate length cannot be confirmed upon ordering



# LFUMAY-I SHIN series NEW

Color management  
MacAdam 3 step



- Suitable for carpentry, handrail and steps
- Side bend dot-free flexible light, cuttable every 50mm at site
- Indoor usage only, custom length max.3m per roll, connectable 5m in circuit

Model No.

LFUMAY - T             -    - DF - I -   

Product Name	Length	Lead wire	Lead wire	Light source color	Tube type	Environment	Wattage
LFUMAY	Custom order length	W: Both ends S: One end	B: Back feed R: Side(Right) feed	D : 6500K N : 5000K W : 4000K WW : 3500K L30 : 3000K L27 : 2700K L25 : 2500K L22 : 2500K L20 : 2000K	DF: Diffuser	I: Indoor	2 : 2.1W 4 : 4.2W 6 : 6.4W 10 : 10.8W 15 : 15.9W

## Specification

Model No.	LFUMAY-T1000S/WB/R-DF-I-15	LFUMAY-T1000S/WB/R-DF-I-10	LFUMAY-T1000S/WB/R-DF-I-6	LFUMAY-T1000S/WB/R-DF-I-4	LFUMAY-T1000S/WB/R-DF-I-2
Wattage	15.9 W/m	10.8 W/m	6.4 W/m	4.2 W/m	2.1 W/m
Fitting length	1002mm (Refer to Custom order length)				
Weight	-	-	-	-	-
Luminaire efficacy(2700K)	54.1 lm/W	55.3 lm/W	56.9 lm/W	58.5 lm/W	58.1 lm/W
Light source color	Delivered CCT ○ = Device inventory				
D 6500K Ra95	6100K ○ 971 lm	○ 677 lm	○ 411 lm	○ 281 lm	○ 139 lm
N 5000K Ra92	4600K ○ 963 lm	○ 671 lm	○ 407 lm	○ 278 lm	○ 138 lm
W 4000K Ra96	3600K ○ 945 lm	○ 659 lm	○ 400 lm	○ 273 lm	○ 136 lm
WW 3500K Ra96	3200K ○ 937 lm	○ 653 lm	○ 396 lm	○ 271 lm	○ 135 lm
L30 3000K Ra94	2700K ○ 911 lm	○ 635 lm	○ 385 lm	○ 263 lm	○ 131 lm
L27 2700K Ra93	2500K ○ 859 lm	○ 599 lm	○ 364 lm	○ 249 lm	○ 123 lm
L25 2500K Ra93	2300K ○ 636 lm	○ 443 lm	○ 269 lm	○ 184 lm	○ 91 lm
L22 2200K Ra92	2000K ○ 593 lm	○ 413 lm	○ 251 lm	○ 171 lm	○ 85 lm
L20 2000K Ra90	1800K ○ 541 lm	○ 378 lm	○ 229 lm	○ 157 lm	○ 78 lm

Specification may be subject to change without announcement. The optical data provided on the each product pages are for reference only; the data values are not guaranteed. Please use as reference materials for your planning.

## General Specification

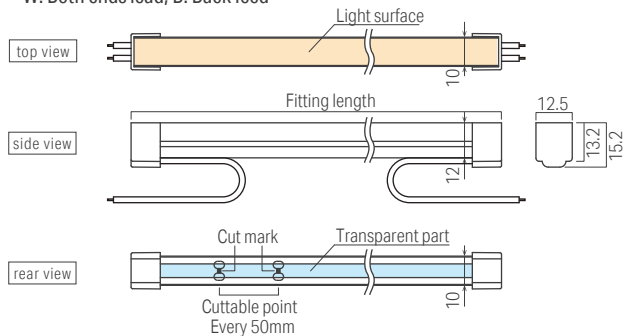
Input voltage	DC24V
Environment	Indoors (no condensation)
Max. length	3m
Max. length Per circuit	5m
Min. bending range	R50mm
Material	Silicone
Attachments	⑤ End cap 2pcs
Accessories	① Mounting rail set ② Mounting parts set ③ Mounting rail ④ Mounting parts ⑤ End cap
Certification	CE
Dimmable	Yes (0-10V/1-10V, DMX, DALI, PWM)

## Max. connectable length per PSU

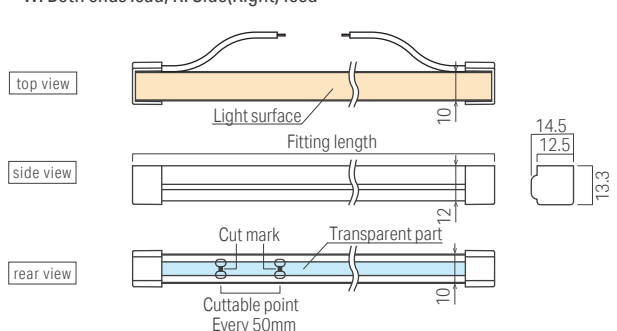
Length of light fixture (70% loading factor) *: split into multiple circuits					PSU
15.9 W/m	10.8 W/m	6.4 W/m	4.2 W/m	2.1 W/m	
~2.2m	~3.2m	~5.5m*	~8.2m*	~16.5m*	50W
~4.4m	~6.5m*	~11.0m*	~16.5m*	~33.0m*	100W
~6.6m*	~9.7m*	~16.4m*	~24.7m*	~49.4m*	150W

## External dimensions

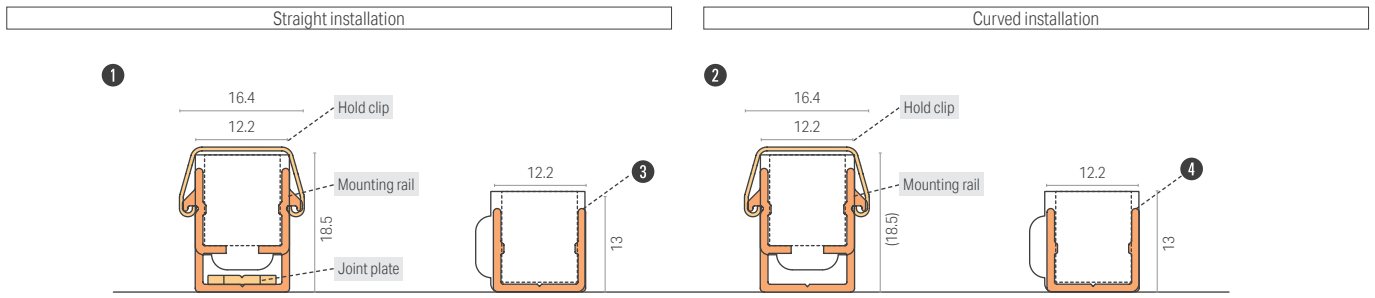
W: Both ends lead, B: Back feed



W: Both ends lead, R: Side(Right) feed



## Cross sectional view with accessories

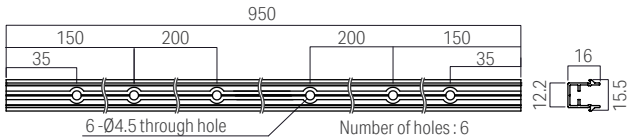


## Accessories

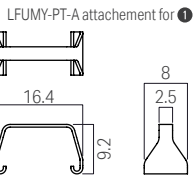


- 1** Aluminium mounting rail High 950 set for UQ FLEX mini  
 Model No : LFUMY-RL0950-AL-H  
 The set include Mounting rail (1pc) and Hold clip (5 pcs/bag) and Joint plate (1pc)  
 For downwards and vertical installation.

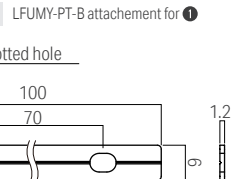
Mounting rail



Hold clip

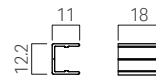


Joint plate



- 4** Aluminium mounting parts Low 18 for UQ FLEX mini  
 Model No : LFUMY-RL0018-AL-L  
 5pcs/bag  
 For curved installation (Side feed)

side view top view

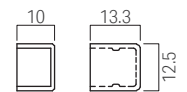


- 5** End cap for UQ FLEX mini **Attachments**  
 Model No : LFUMY-EC  
 Attached with light fixture on request  
 2 pcs / bag per light fixture

For extra order, 2 pcs / bag

For sealing the open end of light fixture after cutting. Sealing glue is required to supply by installer. Acrylic glue is recommended.

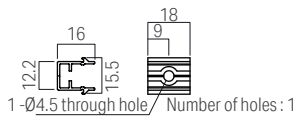
top view side view



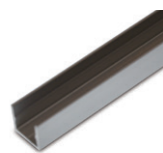
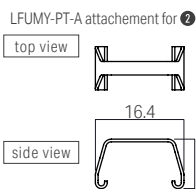
- 2** Aluminium mounting parts High 18 set for UQ FLEX mini  
 Model No : LFUMY-RL0018-AL-H  
 The set include Mounting parts (5 pcs/bag) and Hold clip (5 pcs/bag)  
 Recommended 5 sets/m  
 For curved installation (Back feed)

Mounting parts

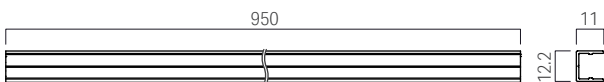
side view top view



Hold clip



- 3** Aluminium mounting rail Low 950 for UQ FLEX mini  
 Model No : LFUMY-RL0950-AL-L  
 For upwards installation.



## Custom order length

Luci SHIN UQ FLEX mini α Indoor (2.1 W/m, 4.2 W/m, 6.4 W/m, 10.8 W/m, 15.9 W/m)

Corresponds to Length of Model No. and External dimensions

Length	Fitting length (mm)	Length	Fitting length (mm)
0050	52	1550	1552
0100	102	1600	1602
0150	152	1650	1652
0200	202	1700	1702
0250	252	1750	1752
0300	302	1800	1802
0350	352	1850	1852
0400	402	1900	1902
0450	452	1950	1952
0500	502	2000	2002
0550	552	2050	2052
0600	602	2100	2102
0650	652	2150	2152
0700	702	2200	2202
0750	752	2250	2252
0800	802	2300	2302
0850	852	2350	2352
0900	902	2400	2402
0950	952	2450	2452
1000	1002	2500	2502
1050	1052	2550	2552
1100	1102	2600	2602
1150	1152	2650	2652
1200	1202	2700	2702
1250	1252	2750	2752
1300	1302	2800	2802
1350	1352	2850	2852
1400	1402	2900	2902
1450	1452	2950	2952
1500	1502	3000	3002

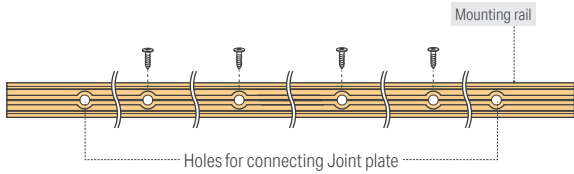
# Luci SHIN UQ FLEX mini α Indoor

## Installing the product

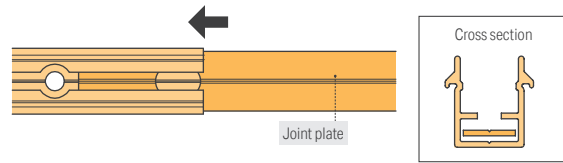
### Installation with Rail

1 Aluminium mounting rail High 950 set for UQ FLEX mini (LFUMY-RL0950-AL-H)

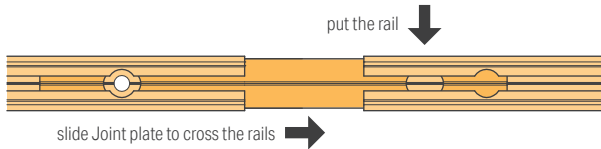
1 Fix the aluminium rail by screws (pan head screw M4 recommended) supplied by installer. The screw holes at both ends should be left unused for installing with the Joint.



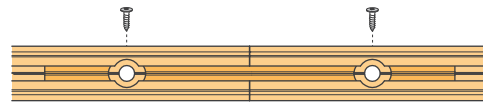
2 When two or more rails are installed in a straight line, insert the Joint plate (LFUMY-PT-B) into bottom of the rail.



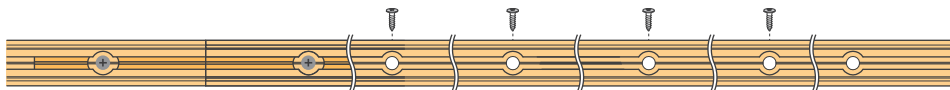
3 Put the second rail and slide the Joint plate as below.



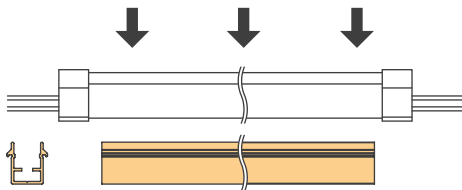
4 Fix the holes of rails and plate altogether by screws.



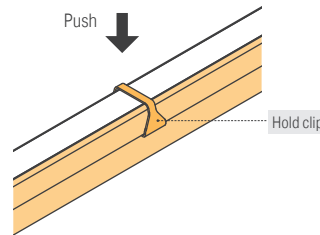
5 Fix the holes of second rail for installation like 1...



6 When installing LFUMAY on the mounting rail high, the light fixture shall first be placed horizontally on the rail and the entire light fixture shall be pushed gradually down into the rail so that the light fixture does not bend vertically.



7 Push the SUS hold clip (LFUMY-PT-A) until click sound and make sure it is securely locked. SUS hold clip is recommended in the environment where requires durability or downwards installation. Recommended number of LFUMY-PT-A is minimum 3 pcs / m.

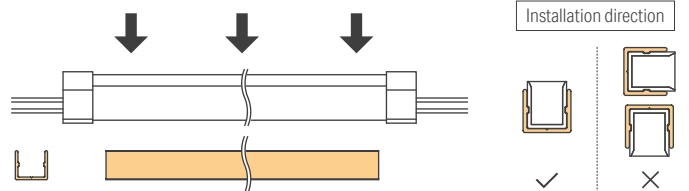


### Installation with Rail

3 Aluminium mounting rail Low 950 for UQ FLEX mini (LFUMY-RL0950-AL-L)

1 Fix the aluminium rail Low by double-sided tape.

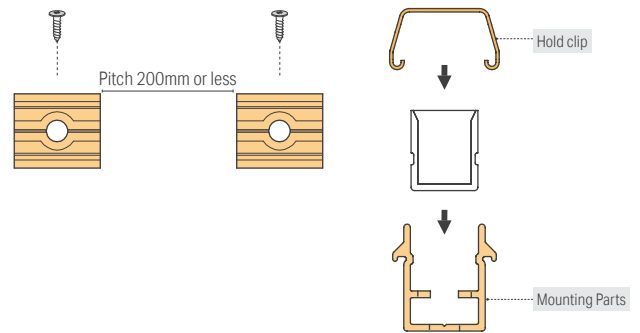
2 When installing LFUMAY on the mounting rail Low, the light fixture shall first be placed horizontally on the rail and the entire light fixture shall be pushed gradually down into the rail so that the light fixture does not bend vertically. There is no Hold clip for rail Low. Therefore, when using rail Low, do not mount the light surface sideways or downward.



## Installation with parts

### ② Aluminium mounting parts High 18 set for UQ FLEX mini (LFUMY-RL0018-AL-H)

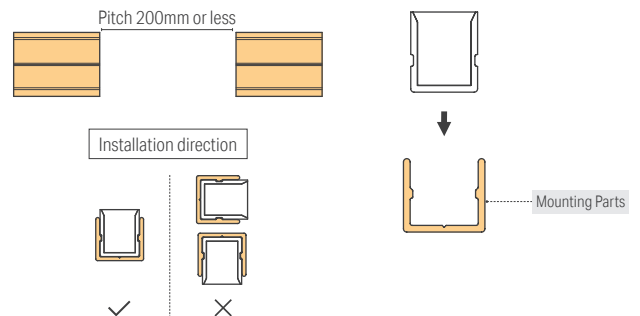
- Fix the aluminum mounting parts by 1 pc of screw to the points where the light fixture is to be installed. (pan head screw M4 recommended).  
The recommended distance between clips is 200 mm or less. The mounting parts at both ends should be 50 mm away from the ends of the light fixture to prevent it from lifting.
- Push the light fixture into the clip while keeping the correct bending direction.  
Caution: Do not bend the light fixture in the wrong direction.
- Put the SUS hold clip ( LFUMY-PT-A ) until click sound and make sure it is securely locked. The hold clips should be used if the light fixture is easily dislodged or installed downward.



## Installation with parts

### ④ Aluminium mounting parts Low 18 for UQ FLEX mini (LFUMY-RL0018-AL-L)

- Fix the aluminum mounting parts Low by double sided-tape.
- Push the light fixture into the clip while keeping the correct bending direction.  
Caution: Do not bend the light fixture in the wrong direction.  
There is no Hold clip for rail Low.
- Therefore, when using rail Low, do not mount the light surface sideways or downward.



## Cutting and terminal sealing

Wipe off any dirt, etc. from the adhesive area.

Use a thin blade such as a Pen knife/Box cutter for cutting.  
Use of thick blades, scissors, nippers, etc. will bend the board and cause malfunctions.

When cutting the light fixture, be sure to cut at the cutting marks shown above. If anywhere other than the cut mark is cut, the light fixture will not turn on. When cutting, push the blade straight down along the cutting mark. Pulling the blade back and forth like a saw may cause the circuit board to fold, resulting in malfunction.

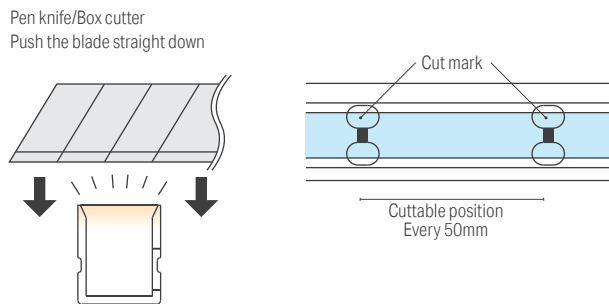
Cutting should always be done on a flat, stable surface.

The cut and insulated light fixture with end cap can only be used indoors. Do not install the products in wet or humid places.

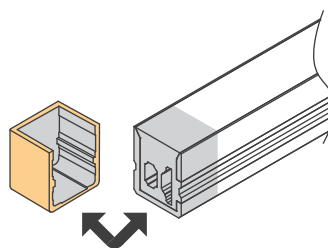
Before installation and lighting, check that the cap adheres properly.

### About Adhesives

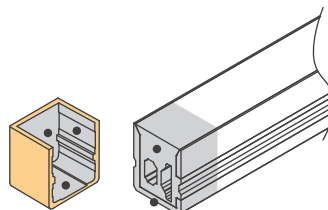
Use a suitable instant adhesives and primers etc. specially designed for difficult-to-bond materials such as polyethylene, polypropylene and silicone rubber.  
Recommended adhesive: Cemedine Corporation CA-522



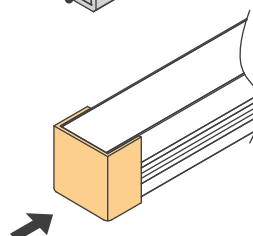
### ⑤ End cap for UQ FLEX mini (LFUMY-EC)



Apply primer on the cut area of the light fixture and the inside of the cap (gray area in the figure).



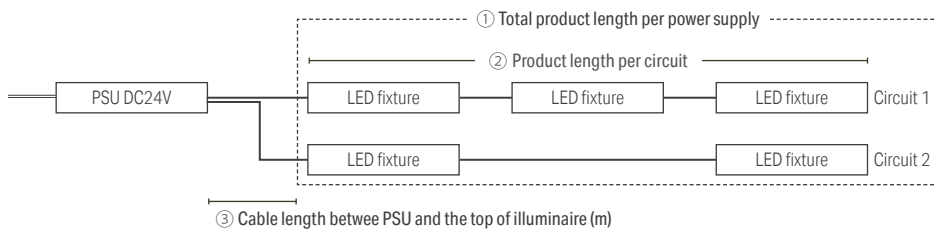
Apply sufficient adhesive on the cut area of the light fixture and the inside of the cap (gray area in the figure).



Immediately attach the end cap to the light fixture and dry it for at least 30 minutes.

# Luci SHIN UQ FLEX α mini Indoor

## System configuration diagram



- ① Total product length per power supply depends on capacity of the power supply. Recommended loading factor is 70% (without dimming) or 60% (with dimming).
- ② Product length per circuit shall not exceed maximum product length per circuit. If the product length per circuit exceeds the maximum, split into multiple circuits.
- ③ To minimize voltage drop, select appropriate wire gauge / diameter and consider the cable length between PSU and the top of luminaire referring to the following table. If longer cable distances are required, use thicker wires or reduce the loading of the lighting fixtures in the circuit.

### ① Max. connectable length per PSU

Length of light fixture (70% loading factor) *: split into multiple circuits					PSU
15.9 W/m	10.8 W/m	6.4 W/m	4.2 W/m	2.1 W/m	
~2.2m	~3.2m	~5.5m*	~8.2m*	~16.5m*	50W
~4.4m	~6.5m*	~11.0m*	~16.5m*	~33.0m*	100W
~6.6m*	~9.7m*	~16.4m*	~24.7m*	~49.4m*	150W

Model No.	Wattage	② Max length per circuit	③ Max cable length between PSU and the top of luminaire at ② Max length per circuit			
			Cross section	0.3 sq	0.5 sq	0.75 sq
LFUMAY-T1000**.-DF-I-2	2.1 W/m	5 m	Wire gauze	AWG 22	AWG 20	AWG 18
LFUMAY-T1000**.-DF-I-4	4.2 W/m	5 m		15 m	24 m	38 m
LFUMAY-T1000**.-DF-I-6	6.4 W/m	5 m		7.7 m	12.3 m	19.5 m
LFUMAY-T1000**.-DF-I-10	10.8 W/m	5 m		5.1 m	8.2 m	12.8 m
LFUMAY-T1000**.-DF-I-15	15.9 W/m	5 m		3 m	4.9 m	7.6 m
				2 m	3.3 m	5.2 m

※ The length of cable that can be connected varies depending on the voltage drop.

Luci SHIN UQ FLEX mini α Indoor -Custom order-

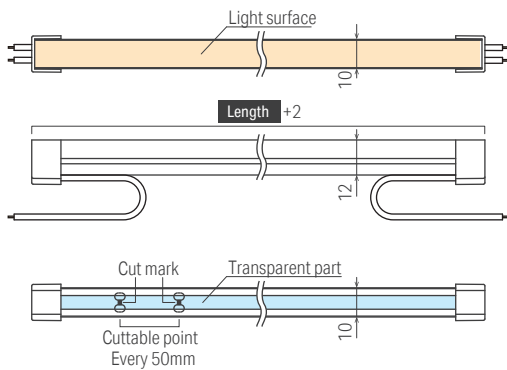
Model No.

**LFUMAY - T**            **-**   **-** **DF** **-**  **-**   **-**

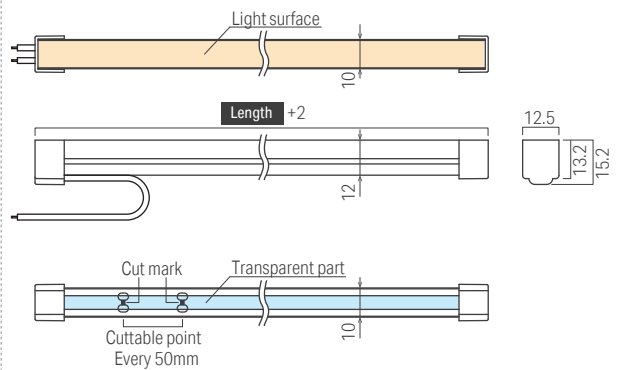
Product name	Length	Lead Wire	Light source color	Tube type	Environment	Wattage
Refer to "Custom order products size"		<b>W</b> Both ends lead wire <b>S</b> One end lead wire	<b>D</b> Daylight white 6500K <b>N</b> Natural white 5000K <b>W</b> White 4000K <b>WW</b> Warm white 3500K 3500K <b>L30</b> Warm white 3000K 3000K <b>L27</b> Warm white 2700K 2700K <b>L25</b> Warm white 2500K 2500K <b>L22</b> Warm white 2200K 2200K <b>L20</b> Warm white 2000K 2000K	<b>DF</b> Diffuser	<b>I</b> Indoor	<b>15</b> 15.9W <b>10</b> 10.8W <b>6</b> 6.4W <b>4</b> 4.2W <b>2</b> 2.1W
		<b>B</b> Back feed <b>R</b> Side(Right) feed				

### External dimension

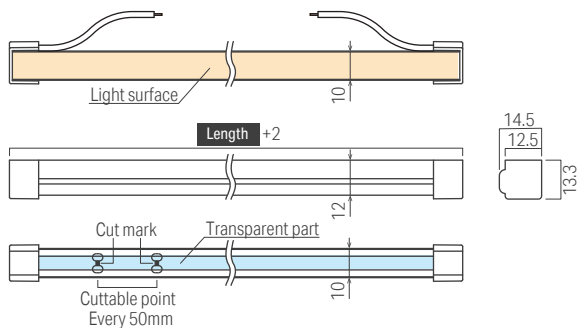
Luci SHIN UQ FLEX mini α Indoor / **W** Both ends lead wire, **B** Back feed  
**LFUMAY - T**       **WB** -  - **DF** -  -



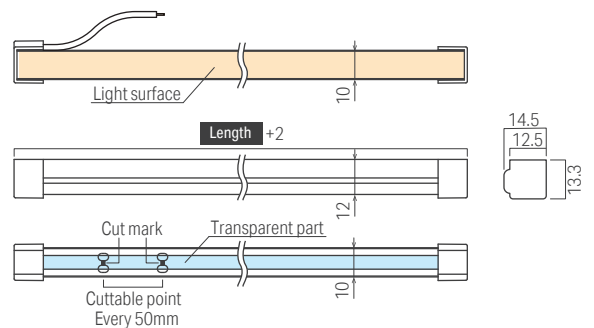
Luci SHIN UQ FLEX mini α Indoor / **S** One end lead wire, **B** Back feed  
**LFUMAY - T**       **SB** -  - **DF** -  -



Luci SHIN UQ FLEX mini α Indoor / **W** Both ends lead wire, **R** Side(Right) feed  
**LFUMAY - T**       **WR** -  - **DF** -  -



Luci SHIN UQ FLEX mini α Indoor / **S** One end lead wire, **R** Side(Right) feed  
**LFUMAY - T**       **SR** -  - **DF** -  -



### Custom order products size

Luci SHIN UQ FLEX mini α Indoor (15.9 W/m, 10.8 W/m, 6.4 W/m, 4.2 W/m, 2.1 W/m)														
Corresponds to Length of Model No. and External dimensions														
0050	0250	0450	0650	0850	1050	1250	1450	1650	1850	2050	2250	2450	2650	2850
1000	0300	0500	0700	0900	1100	1300	1500	1700	1900	2100	2300	2500	2700	2900
0150	0350	0550	0750	0950	1150	1350	1550	1750	1950	2150	2350	2550	2750	2950
0200	0400	0600	0800	1000	1200	1400	1600	1800	2000	2200	2400	2600	2800	3000



# Luci SHIN UQ FLEX mini α Indoor

## Illuminance data



### LFUMAY-I Luci SHIN UQ FLEX mini α Indoor

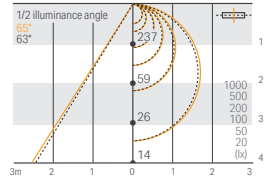
Color temperature

6500K 5000K 4000K 3500K 3000K 2700K 2500K 2200K 2000K

#### Direct horizontal surface light intensity distribution chart

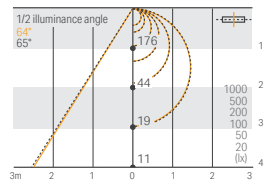
##### LFUMAY-T1000\*\*-L30-DF-I-15

Light source color 3000K  
Brightness 237 cd  
Luminous flux 911 lm  
Color rendering index Ra 94



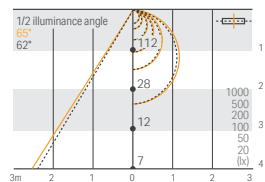
##### LFUMAY-T1000\*\*-L30-DF-I-10

Light source color 3000K  
Brightness 176 cd  
Luminous flux 635 lm  
Color rendering index Ra 94



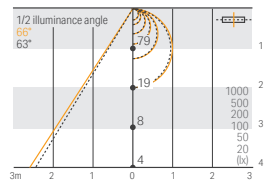
##### LFUMAY-T1000\*\*-L30-DF-I-6

Light source color 3000K  
Brightness 112 cd  
Luminous flux 385 lm  
Color rendering index Ra 94



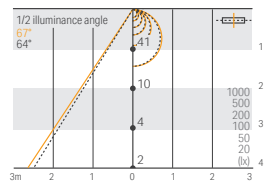
##### LFUMAY-T1000\*\*-L30-DF-I-4

Light source color 3000K  
Brightness 79 cd  
Luminous flux 263 lm  
Color rendering index Ra 94



##### LFUMAY-T1000\*\*-L30-DF-I-2

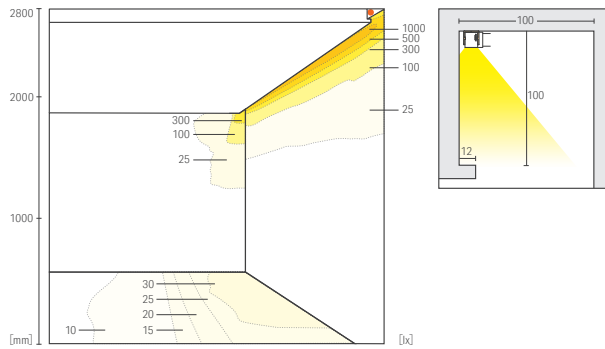
Light source color 3000K  
Brightness 41 cd  
Luminous flux 131 lm  
Color rendering index Ra 94



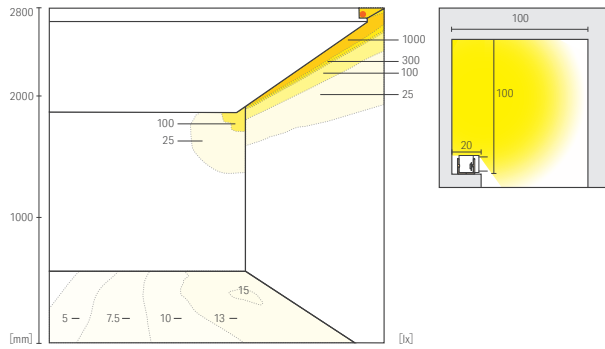
## 15W

#### Recommend dimensions and illumination distributions @2700K

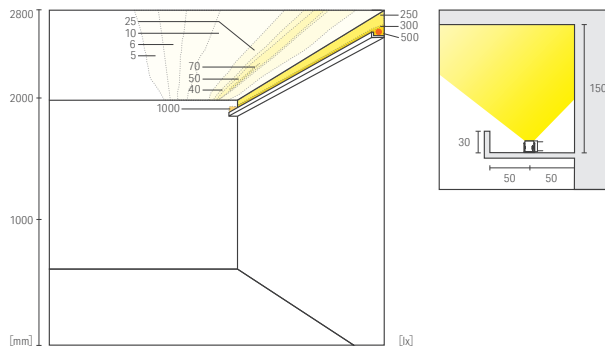
##### Cornice lighting-1 CH=2800



##### Cornice lighting-2 CH=2800



##### Cove lighting CH=2800



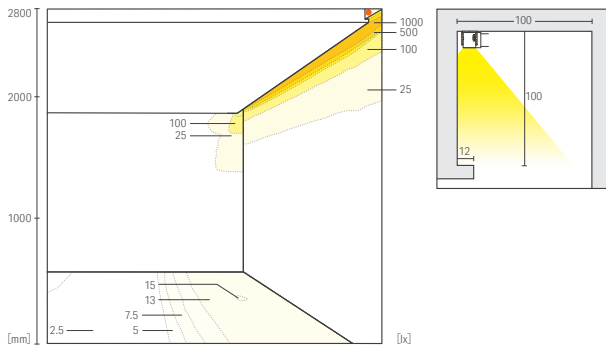
6W

2W

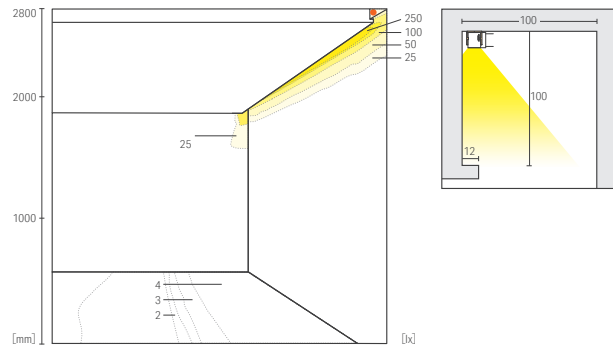
Recommend dimensions and illumination distributions

@2700K

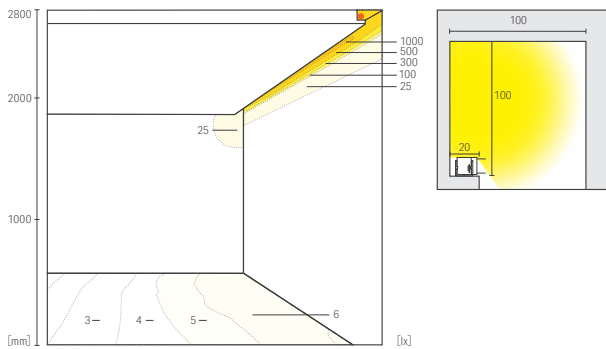
Cornice lighting-1 CH=2800



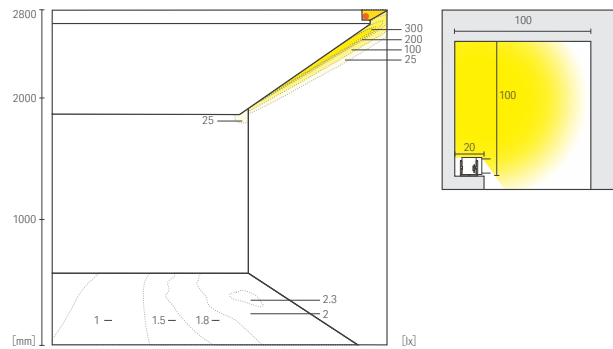
Cornice lighting-1 CH=2800



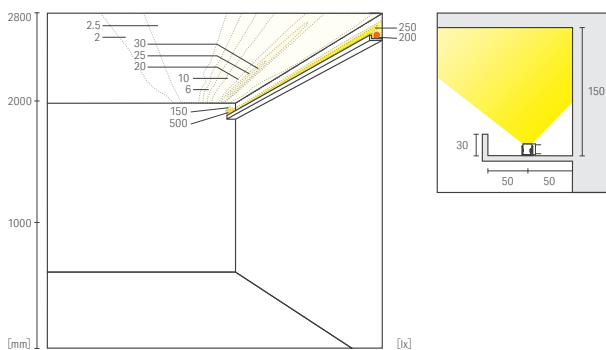
Cornice lighting-2 CH=2800



Cornice lighting-2 CH=2800



Cove lighting CH=2800



Cove lighting CH=2800

