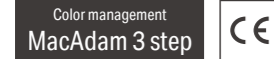


# LFUAY-0 SHIN series NEW



- Updated with low wattage high lumen LED series
- Available 4 different wattage variations
- Side bend dot-free flexible strip
- IP67, max custom length 2m for outdoor usage, up to 10m per circuit

Model No. **LFUAY - T**      **DF - O**

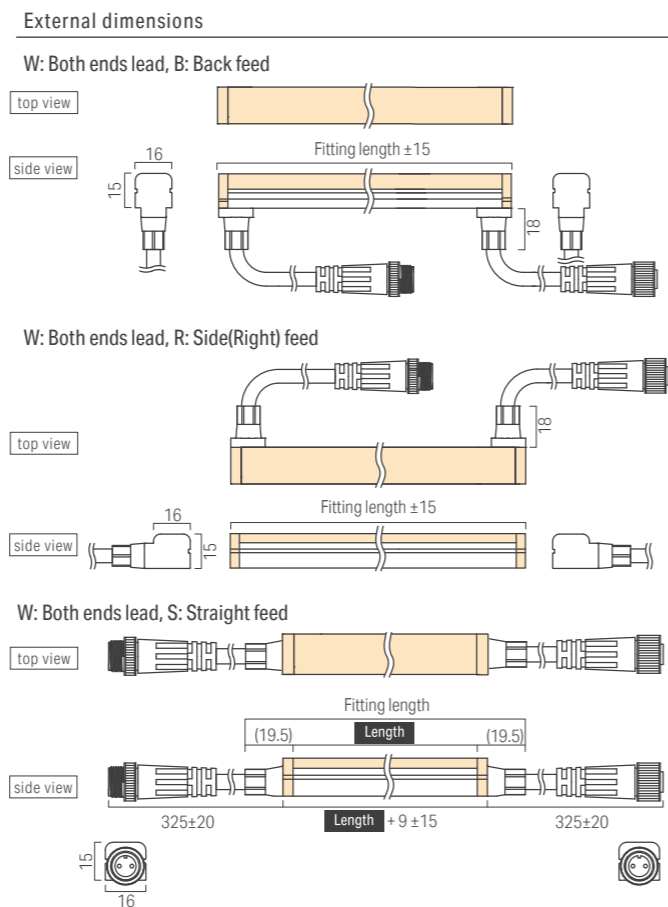
Product Name	Length	Lead wire	Lead wire	Light source color	Tube type	Environment	Wattage
LFUAY	Custom order length	W : Both ends S : One ends	B : Back feed R : Side(Right) feed S : Straight	D : 6500K L30 : 3000K N : 5000K L27 : 2700K W : 4000K L25 : 2500K WW : 3500K L22 : 2200K L20 : 2000K	DF : Diffuser	O : Outdoor	5 : 5.9 W/m 9 : 9.9 W/m 14 : 14.9 W/m 19 : 19.8 W/m

Model No.	LFUAY-T1000S/WB/R-DF-O-5	LFUAY-T1000S/WB/R-DF-O-9	LFUAY-T1000S/WB/R-DF-O-14	LFUAY-T1000S/WB/R-DF-O-19
Wattage	5.9 W/m	9.9 W/m	14.9 W/m	19.8 W/m
Fitting length	Refer to Custom order length			
Weight				
Luminaire efficacy(2700K)	63.7 lm/W	64.2 lm/W	62.6 lm/W	61.2 lm/W
Light source color	○ = Device inventory * = Please contact us since it's built to order			
D 6500K	Ra96 * 428 lm	* 718 lm	* 1050 lm	* 1369 lm
N 5000K	Ra93 ○ 424 lm	○ 712 lm	○ 1041 lm	○ 1357 lm
W 4000K	Ra97 ○ 416 lm	○ 699 lm	○ 1023 lm	○ 1333 lm
WW 3500K	Ra97 ○ 412 lm	○ 693 lm	○ 1013 lm	○ 1321 lm
L30 3000K	Ra95 ○ 401 lm	○ 674 lm	○ 985 lm	○ 1284 lm
L27 2700K	Ra94 ○ 378 lm	○ 636 lm	○ 930 lm	○ 1212 lm
L25 2500K	Ra94 ○ 280 lm	○ 470 lm	○ 688 lm	○ 897 lm
L22 2200K	Ra93 * 261 lm	* 439 lm	* 641 lm	* 836 lm
L20 2000K	Ra91 * 238 lm	* 400 lm	* 586 lm	* 763 lm

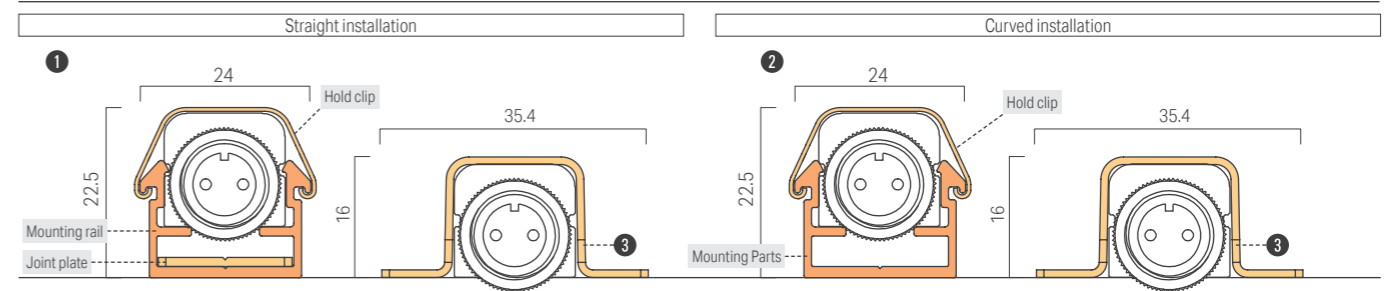
Please contact our sales staff regarding the delivered CCT. Specification may be subject to change without announcement. The optical data provided on the each product pages are for reference only; the data values are not guaranteed. Please use as reference materials for your planning.

General Specification	
Input voltage	DC24V
Environment	Outdoor IP67, Indoor
Max. fixture length	2m
Max. length Per circuit	10m
Min. bending range	R150mm
Material	Silicone
Attachments	-
Accessories	① Mounting rail set ② Mounting parts set ③ Mounting Clip ④ Power supply cable ⑤ Joint cable
Certification	CE
Dimmable	Yes (0-10V/1-10V, DMX, DALI, PWM, Casambi)

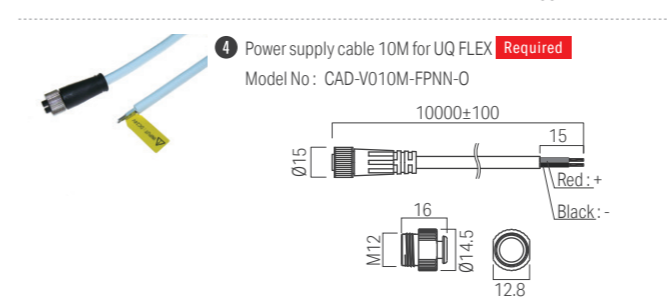
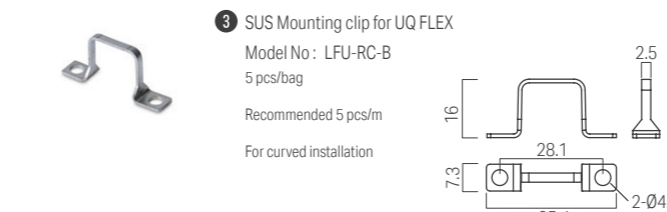
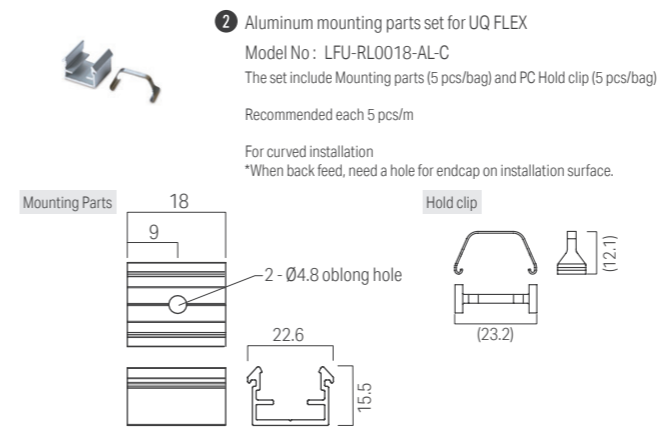
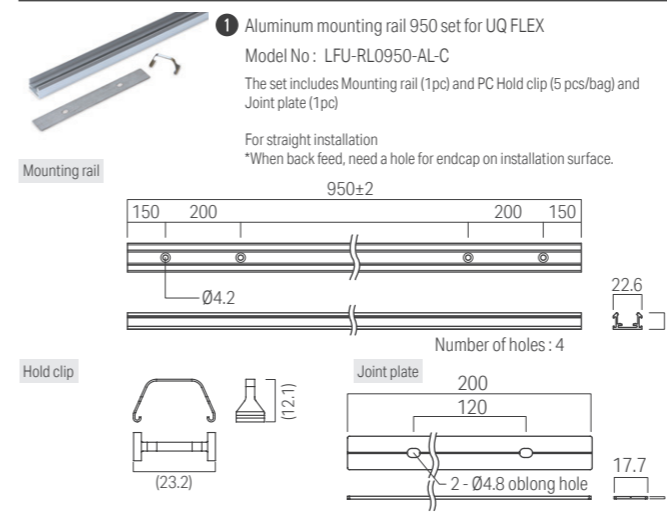
Max. connectable length per PSU				
Length of light fixture (70% loading factor) *: split into multiple circuits				PSU
5.9 W/m	9.9 W/m	14.9 W/m	19.8 W/m	50W
~5.9m	~3.5m	~2.4m	~1.8m	
~11.8m*	~7.1m	~4.7m	~3.5m	
~17.7m*	~10.6m*	~7.1m	~5.3m	
				100W
				150W



### Cross sectional view with accessories



### Accessories



### Custom order length

Luci SHIN UQ FLEX α IP67 (5.9 W/m, 9.9 W/m, 14.9 W/m, 19.8 W/m)					
Corresponds to Length of Model No. and External dimensions					
Length	Fitting length (mm)				
	WR/WB	WS	SB	SR	SS
0050	59	90	56.5	56.5	72
0100	109	140	106.5	106.5	122
0150	159	190	156.5	156.5	172
0200	209	240	206.5	206.5	222
0250	259	290	256.5	256.5	272
0300	309	340	306.5	306.5	322
0350	359	390	356.5	356.5	372
0400	409	440	406.5	406.5	422
0450	459	490	456.5	456.5	472
0500	509	540	506.5	506.5	522
0550	559	590	556.5	556.5	572
0600	609	640	606.5	606.5	622
0650	659	690	656.5	656.5	672
0700	709	740	706.5	706.5	722
0750	759	790	756.5	756.5	772
0800	809	840	806.5	806.5	822
0850	859	890	856.5	856.5	872
0900	909	940	906.5	906.5	922
0950	959	990	956.5	956.5	972
1000	1009	1040	1006.5	1006.5	1022
1050	1059	1090	1056.5	1056.5	1072
1100	1109	1140	1106.5	1106.5	1122
1150	1159	1190	1156.5	1156.5	1172
1200	1209	1240	1206.5	1206.5	1222
1250	1259	1290	1256.5	1256.5	1272
1300	1309	1340	1306.5	1306.5	1322
1350	1359	1390	1356.5	1356.5	1372
1400	1409	1440	1406.5	1406.5	1422
1450	1459	1490	1456.5	1456.5	1472
1500	1509	1540	1506.5	1506.5	1522
1550	1559	1590	1556.5	1556.5	1572
1600	1609	1640	1606.5	1606.5	1622
1650	1659	1690	1656.5	1656.5	1672
1700	1709	1740	1706.5	1706.5	1722
1750	1759	1790	1756.5	1756.5	1772
1800	1809	1840	1806.5	1806.5	1822
1850	1859	1890	1856.5	1856.5	1872
1900	1909	1940	1906.5	1906.5	1922
1950	1959	1990	1956.5	1956.5	1972
2000	2009	2040	2006.5	2006.5	2022

### Prohibited installation places

- pooling water
  - liquids including chlorine or chemicals
  - high temperature and high humidity such as saunas
  - coastal areas which are affected by sea spray
- Do not cut the outdoor light and the lead wire at a job site. Please do appropriate waterproof treatment for the outdoor lead wire and connector according to product manuals.

