

# LCETHY SHIN series **NEW**

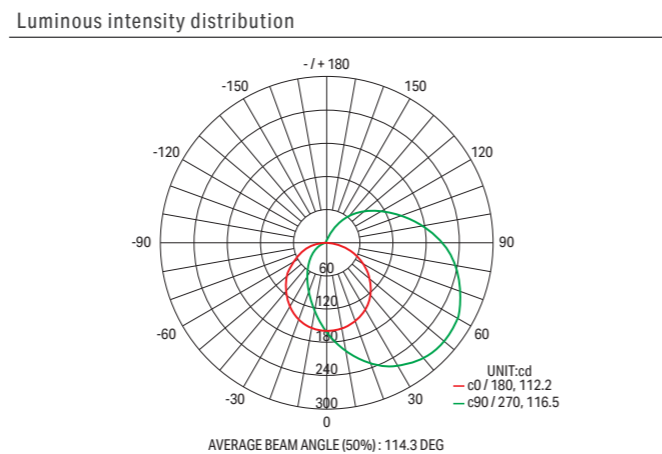
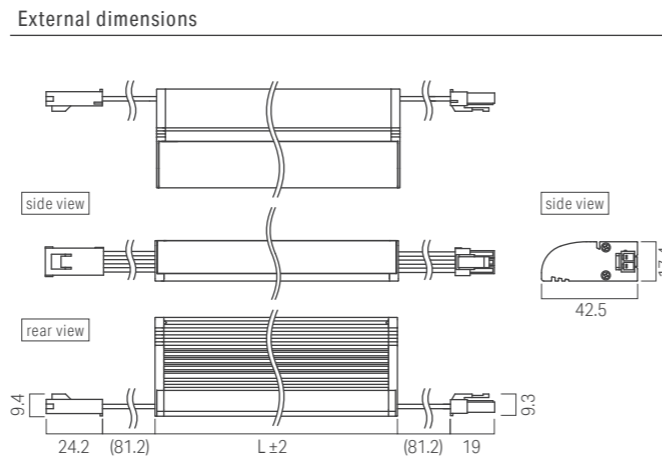
Color management  
MacAdam 3 step

- Tunable options for cove with high lumen low wattage series
- For cove and wall grazer light with only 17.4mm height easy to be hidden
- 2 types of wattage

Model No. **LCETHY** -  Higher CCT  Lower CCT - **DF** - **I** -

Product Name	Length	Light source color	Cover Type	Environment	Wattage
LCETHY	0110 0810 0210 0910 0310 1010 0410 1110 0510 1210 0610 1310 0710 1410	Select 2 CCTs D : 6500K N : 5000K W : 4000K WW : 3500K L30 : 3000K L27 : 2700K L25 : 2500K L22 : 2200K L20 : 2000K	DF : Diffuser	I : Indoor	10 : 10.7 W/m 21 : 21.5 W/m

Length	Fitting length	Weight	Wattage	
			10.7 W/m	21.5 W/m
0110	110.6 mm	45 g	1.1 W	2.1 W
0210	210.6 mm	90 g	2.1 W	4.3 W
0310	310.6 mm	135 g	3.2 W	6.4 W
0410	410.6 mm	175 g	4.3 W	8.6 W
0510	510.6 mm	215 g	5.4 W	10.7 W
0610	610.6 mm	255 g	6.4 W	12.9 W
0710	710.6 mm	295 g	7.5 W	15.0 W
0810	810.6 mm	335 g	8.6 W	17.2 W
0910	910.6 mm	375 g	9.7 W	19.3 W
1010	1010.6 mm	415 g	10.7 W	21.5 W
1110	1110.6 mm	455 g	11.8 W	23.6 W
1210	1210.6 mm	495 g	12.9 W	25.8 W
1310	1310.6 mm	535 g	14.0 W	27.9 W
1410	1410.6 mm	575 g	15.0 W	30.1 W



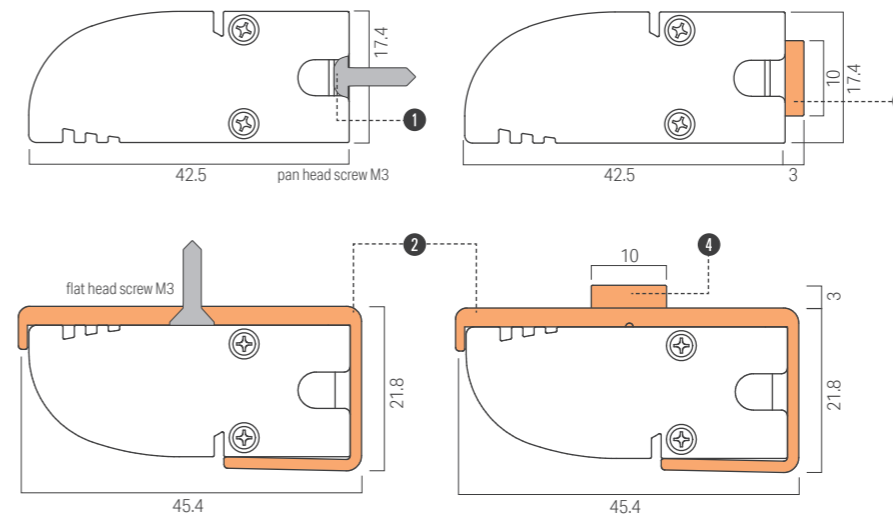
**General Specification**

Input voltage	DC24V
Environment	Indoors (no condensation)
Max. length per circuit	5m
Material	Body : aluminum , Cover : polycarbonate
Attachments	① Mounting clip 1pc - 0110, 0210 2pcs - 0310, 0410, 0510, 0610, 0710 3pcs - 0810, 0910, 1010, 1110 4pcs - 1210, 1310, 1410
Accessories	① Mounting clip ② Outerclip ③ ④ Magnet set ⑤ Power supply cable
Certification	CE, PBT Free
Dimmable	Yes (Tunable white driver is required)

**Max. connectable length per PSU**

Length of LED fixture (70% loading factor) During dimmer use*: split into multiple circuits	PSU
10.7 W/m	21.5 W/m
~3.3m	~1.6m
~6.5m*	~3.3m
~9.8m*	~4.9m

**Cross sectional view with accessories**



**Accessories**

- Mounting clip A for Creide Attachments**

Model No : LCE-PT-A  
Attached with light fixture  
1pc - 0110, 0210  
2pcs - 0310, 0410, 0510, 0610, 0710  
3pcs - 0810, 0910, 1010, 1110  
4pcs - 1210, 1310, 1410

For extra order  
2 pcs / bag

For magnet installation,  
please refer to the required number  
of clips in the product catalog.
- Outer clip for Creide**

Model No : LCE-PT-B  
2 pcs/bag  
Recommended number  
1pc - 0110, 0210  
2pcs - 0310, 0410  
3pcs - 0510, 0610, 0710  
4pcs - 0810, 0910, 1010, 1110, 1110, 1210  
5pcs - 1310, 1410

For magnet installation,  
please refer to the required number  
of clips in the product catalog.
- Magnet Set L**

Model No : MG-L  
10 sets/bag

Required 2 pcs per Mounting clip A

Used for installing light fixture with ① Mounting clip A on metal plate.  
Metal plate is required by installer.
- Magnet Set A**

Model No : MG-A  
5 sets/bag

Required 2 pcs per Outer clip

Used for installing light fixture with ② Outer clip for Creide on metal plate.  
Metal plate is required by installer.
- Power supply cable 500mm for THOF**

Model No : CAD-0500-MDFD-I  
1 pc per circuit for connecting the light fixture  
to power supply or dimmer driver.

Black : +  
White : 1ch- (light source color: white)  
Brown : 2ch- (light source color: warm white)

**Recommended No. of clips & magnets**

Length	0110	0210	0310	0410	0510	0610	0710	0810	0910	1010	1110	1210	1310	1410	
<b>Attachments</b>															
Mounting clip A	1 pc	1 pc	2 pcs	2 pcs	2 pcs	2 pcs	2 pcs	3 pcs	3 pcs	3 pcs	3 pcs	4 pcs	4 pcs	4 pcs	Unit of order
Recommended No. of ① Mounting clip A	1 pc	1 pc	2 pcs	2 pcs	2 pcs	2 pcs	2 pcs	3 pcs	3 pcs	3 pcs	3 pcs	4 pcs	4 pcs	4 pcs	2 pcs/bag
<b>Extra</b>															
① Mounting clip A for magnet installation	0 pc	0 pc	0 pc	0 pc	1 pc	1 pc	1 pc	1 pc	1 pc	1 pc	1 pc	1 pc	1 pc	1 pc	2 pcs/bag
③ Magnet set L	2 pcs	2 pcs	4 pcs	4 pcs	6 pcs	6 pcs	6 pcs	8 pcs	8 pcs	8 pcs	8 pcs	10 pcs	10 pcs	10 pcs	10 pcs/bag
Recommended No. of ② Outer clip	1 pc	1 pc	2 pcs	2 pcs	3 pcs	3 pcs	3 pcs	4 pcs	4 pcs	4 pcs	4 pcs	4 pcs	5 pcs	5 pcs	2 pcs/bag
④ Magnet set A	2 pcs	2 pcs	4 pcs	4 pcs	6 pcs	6 pcs	6 pcs	8 pcs	8 pcs	8 pcs	8 pcs	8 pcs	10 pcs	10 pcs	5 pcs/bag

CRI and luminous flux data for each CCT combination

Light source color	Inventory	Ratio of output		CRI	10.7W/m		21.5W/m	
					lm/m	lm/W	lm/m	lm/W
D N	*	D	100% N 0%	94	537	1117		
			100% 100%	92	1070	99.5	2225 103.5	
			0% 100%	93	533		1108	
D W	*	D	100% W 0%	94	537	1117		
			100% 100%	95	1060	98.7	2205 102.6	
			0% 100%	95	523		1088	
D WW	*	D	100% WW 0%	94	537	1117		
			100% 100%	96	1056	98.2	2195 102.1	
			0% 100%	95	518		1078	
D L30	*	D	100% L30 0%	94	537	1117		
			100% 100%	94	1041	96.9	2166 100.7	
			0% 100%	96	504		1048	
D L27	○	D	100% L27 0%	94	537	1117		
			100% 100%	94	1013	94.2	2106 98	
			0% 100%	96	476		989	
D L25	*	D	100% L25 0%	94	537	1117		
			100% 100%	94	889	82.7	1849 86	
			0% 100%	96	352		732	
D L22	*	D	100% L22 0%	94	537	1117		
			100% 100%	93	865	80.5	1800 83.7	
			0% 100%	96	328		682	
D L20	○	D	100% L20 0%	94	537	1117		
			100% 100%	92	837	77.9	1741 81	
			0% 100%	95	300		623	
N W	*	N	100% W 0%	92	533	1108		
			100% 100%	95	1056	98.2	2195 102.1	
			0% 100%	93	523		1088	
N WW	*	N	100% WW 0%	92	533	1108		
			100% 100%	96	1051	97.8	2186 101.7	
			0% 100%	93	518		1078	
N L30	*	N	100% L30 0%	92	533	1108		
			100% 100%	94	1037	96.4	2156 100.3	
			0% 100%	94	504		1048	
N L27	○	N	100% L27 0%	92	533	1108		
			100% 100%	94	1008	93.8	2097 97.5	
			0% 100%	95	476		989	
N L25	*	N	100% L25 0%	92	533	1108		
			100% 100%	94	885	82.3	1839 85.6	
			0% 100%	95	352		732	
N L22	*	N	100% L22 0%	92	533	1108		
			100% 100%	93	861	80.1	1790 83.3	
			0% 100%	96	328		682	
N L20	○	N	100% L20 0%	92	533	1108		
			100% 100%	92	832	77.4	1731 80.5	
			0% 100%	97	300		623	
W WW	*	W	100% WW 0%	95	523	1088		
			100% 100%	96	1041	96.9	2166 100.7	
			0% 100%	95	518		1078	
W L30	*	W	100% L30 0%	95	523	1088		
			100% 100%	94	1027	95.6	2136 99.4	
			0% 100%	95	504		1048	
W L27	*	W	100% L27 0%	95	523	1088		
			100% 100%	94	999	92.9	2077 96.6	
			0% 100%	96	476		989	
W L25	*	W	100% L25 0%	95	523	1088		
			100% 100%	94	875	81.4	1820 84.6	
			0% 100%	96	352		732	
W L22	*	W	100% L22 0%	95	523	1088		
			100% 100%	93	851	79.2	1770 82.3	
			0% 100%	97	328		682	
W L20	*	W	100% L20 0%	95	523	1088		
			100% 100%	92	823	76.5	1711 79.6	
			0% 100%	96	300		623	

○ = Device inventory  
 \* = Please contact us since it is made-to-order products.

CRI and luminous flux data for each CCT combination

Light source color	Inventory	Ratio of output		CRI	10.7W/m		21.5W/m	
					lm/m	lm/W	lm/m	lm/W
WW L30	*	WW	100% L30 0%	96	518	1078		
			100% 100%	94	1022	95.1	2126 98.9	
			0% 100%	95	504		1048	
WW L27	*	WW	100% L27 0%	96	518	1078		
			100% 100%	94	994	92.5	2067 96.1	
			0% 100%	95	476		989	
WW L25	*	WW	100% L25 0%	96	518	1078		
			100% 100%	94	870	81	1810 84.2	
			0% 100%	96	352		732	
WW L22	*	WW	100% L22 0%	96	518	1078		
			100% 100%	93	846	78.8	1760 81.9	
			0% 100%	96	328		682	
WW L20	*	WW	100% L20 0%	96	518	1078		
			100% 100%	92	818	76.1	1701 79.1	
			0% 100%	95	300		623	
L30 L27	*	L30	100% L27 0%	94	504	1048		
			100% 100%	94	980	91.1	2037 94.8	
			0% 100%	94	476		989	
L30 L25	*	L30	100% L25 0%	94	504	1048		
			100% 100%	94	856	79.6	1780 82.8	
			0% 100%	94	352		732	
L30 L22	*	L30	100% L22 0%	94	504	1048		
			100% 100%	93	832	77.4	1731 80.5	
			0% 100%	94	328		682	
L30 L20	*	L30	100% L20 0%	94	504	1048		
			100% 100%	92	804	74.8	1671 77.7	
			0% 100%	95	300		623	
L27 L25	*	L27	100% L25 0%	94	476	989		
			100% 100%	94	827	77	1721 80	
			0% 100%	94	352		732	
L27 L22	*	L27	100% L22 0%	94	476	989		
			100% 100%	93	804	74.8	1671 77.7	
			0% 100%	94	328		682	
L27 L20	*	L27	100% L20 0%	94	476	989		
			100% 100%	92	775	72.1	1612 75	
			0% 100%	94	300		623	
L25 L22	*	L25	100% L22 0%	94	352	732		
			100% 100%	93	680	63.3	1414 65.8	
			0% 100%	94	328		682	
L25 L20	*	L25	100% L20 0%	94	352	732		
			100% 100%	92	651	60.6	1355 63	
			0% 100%	94	300		623	
L22 L20	*	L22	100% L20 0%	93	328	682		
			100% 100%	92	628	58.4	1305 60.7	
			0% 100%	93	300		623	

○ = Device inventory  
 \* = Please contact us since it is made-to-order products.