

Luci SHIN Creide® THOF

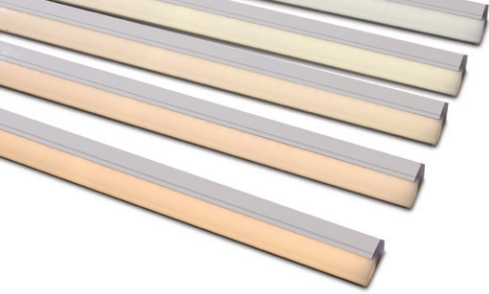
LCETHY **SHIN** series **NEW**



Medical Corporation Sankei-kai HORAC Grand Front Osaka Clinic
Architect office, Lighting Design: NIKKEN SEKKEI LTD / Nikken Space Design Ltd.
Construction: SHIMIZU CORPORATION
Photo: yasutake kondo



AKEBONO HOSPITAL Dialysis room
Location: Japan
Owner: Medical Corporation Association SANYUKAI
Architect office / Construction: KAJIMA CORPORATION



Luci SHIN Creide® THOF

Tunable options for cove with high lumen low wattage series
For cove and wall grazer light with only 17.4mm height easy to be hidden
2 types of wattage

Indoor

Rigid light

LCETHY

SHIN Creide® THOF

Specifications

Dimensions

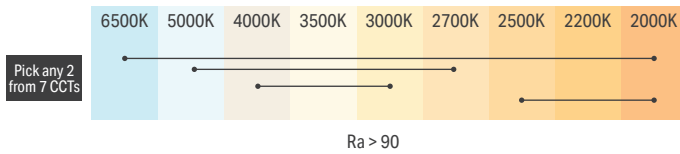
Cross section W 42.5 x H 17.4 mm
Length 14 types of fixed length

1410	1310	1210	1110	1010	910
810	710	610	510	410	310
210	110	(mm)			

Electrical & Output @5000K 100%, 2700K 100%

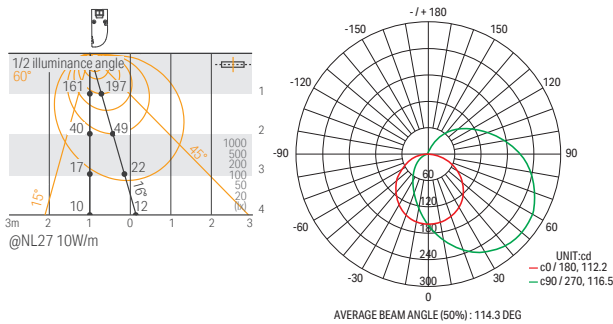
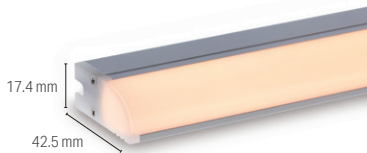
	SHIN series LCETHY		
	W/m	lm/m	lm/W
	10.7 W/m	1008 lm/m	94 lm/W
5000K 100%, 2700K 100%	21.5 W/m	2097 lm/m	98 lm/W
5000K 100%, 2700K 0%		1108 lm/m	
5000K 0%, 2700K 100%		989 lm/m	

Color temperature

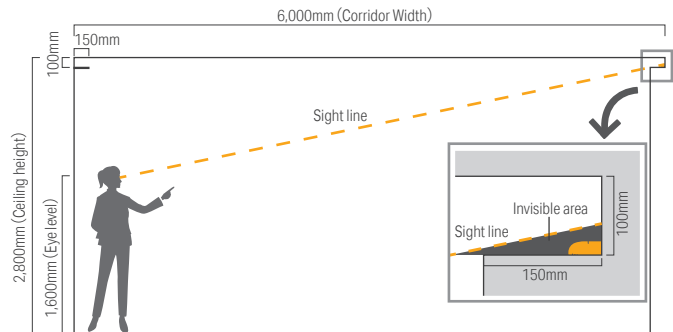


Light distribution

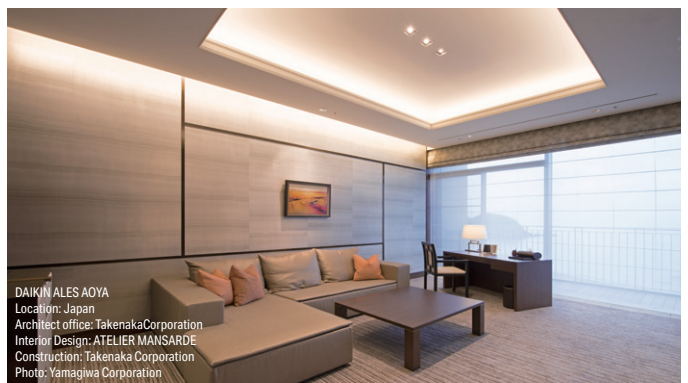
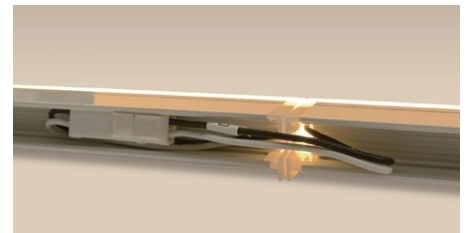
Luci SHIN Creide® THOF



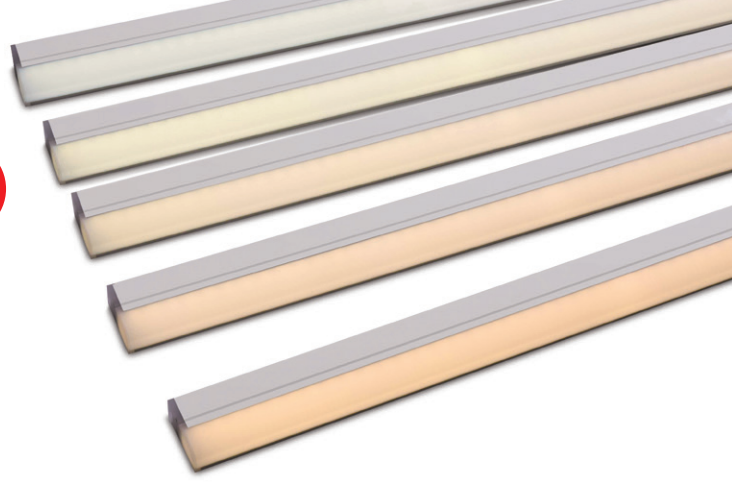
Features



Connectors are concealed behind lighting fixtures



LCETHY **SHIN** series NEW



Color management
MacAdam 3 step CE

- Tunable options for cove with high lumen low wattage series
- For cove and wall grazer light with only 17.4mm height easy to be hidden
- 2 types of wattage

Model No.

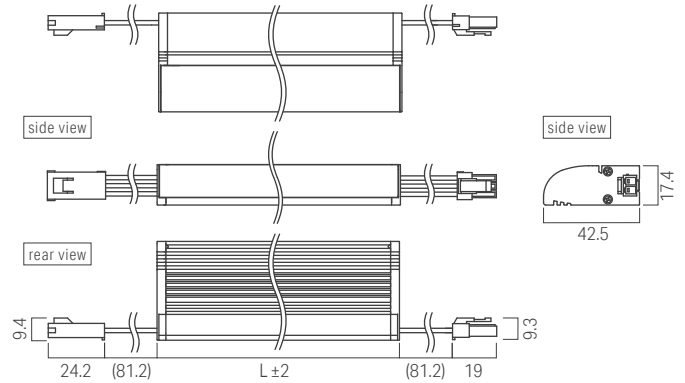
LCETHY - - Higher CCT Lower CCT - **DF** - **I** -

Product Name	Length	Light source color	Cover Type	Environment	Wattage
LCETHY	0110 0810 0210 0910 0310 1010 0410 1110 0510 1210 0610 1310 0710 1410	Select 2 CCTs D : 6500K N : 5000K W : 4000K WW : 3500K L30 : 3000K L27 : 2700K L25 : 2500K L22 : 2200K L20 : 2000K	DF : Diffuser	I : Indoor	10 : 10.7 W/m 21 : 21.5 W/m

Specification

Length	Fitting length	Weight	Wattage	
			10.7 W/m	21.5 W/m
0110	110.6 mm	45 g	1.1 W	2.1 W
0210	210.6 mm	90 g	2.1 W	4.3 W
0310	310.6 mm	135 g	3.2 W	6.4 W
0410	410.6 mm	175 g	4.3 W	8.6 W
0510	510.6 mm	215 g	5.4 W	10.7 W
0610	610.6 mm	255 g	6.4 W	12.9 W
0710	710.6 mm	295 g	7.5 W	15.0 W
0810	810.6 mm	335 g	8.6 W	17.2 W
0910	910.6 mm	375 g	9.7 W	19.3 W
1010	1010.6 mm	415 g	10.7 W	21.5 W
1110	1110.6 mm	455 g	11.8 W	23.6 W
1210	1210.6 mm	495 g	12.9 W	25.8 W
1310	1310.6 mm	535 g	14.0 W	27.9 W
1410	1410.6 mm	575 g	15.0 W	30.1 W

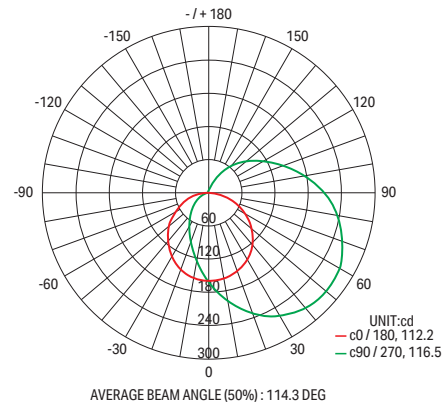
External dimensions



General Specification

Input voltage	DC24V
Environment	Indoors (no condensation)
Max. length per circuit	5m
Material	Body : aluminum , Cover : polycarbonate
Attachments	① Mounting clip 1pc - 0110, 0210 2pcs - 0310, 0410, 0510, 0610, 0710 3pcs - 0810, 0910, 1010, 1110 4pcs - 1210, 1310, 1410
Accessories	① Mounting clip ② Outerclip ③④ Magnet set ⑤ Power supply cable
Certification	CE, PBT Free
Dimmable	Yes (Tunable white driver is required)

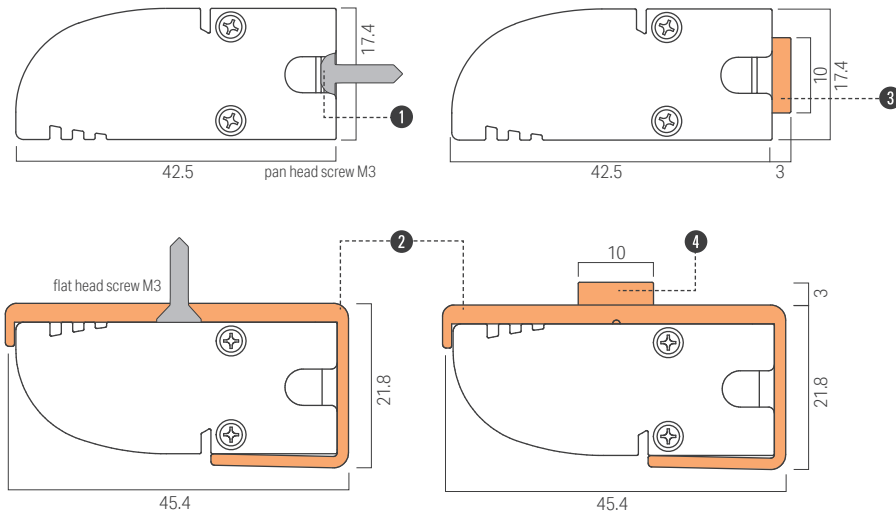
Luminous intensity distribution



Max. connectable length per PSU

Length of LED fixture (70% loading factor) During dimmer use*: split into multiple circuits		PSU
10.7 W/m	21.5 W/m	
~3.3m	~1.6m	50W
~6.5m*	~3.3m	100W
~9.8m*	~4.9m	150W

Cross sectional view with accessories



Accessories

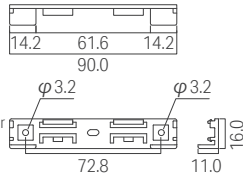
1 Mounting clip A for Creide **Attachments**



Model No : LCE-PT-A
Attached with light fixture
1pc - 0110, 0210
2pcs - 0310, 0410, 0510, 0610, 0710
3pcs - 0810, 0910, 1010, 1110
4pcs - 1210, 1310, 1410

For extra order
2 pcs / bag

For magnet installation,
please refer to the required number
of clips in the product catalog.

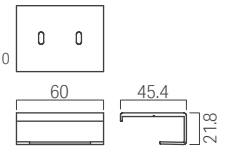


2 Outer clip for Creide



Model No : LCE-PT-B
2 pcs/bag
Recommended number
1pc - 0110, 0210
2pcs - 0310, 0410
3pcs - 0510, 0610, 0710
4pcs - 0810, 0910, 1010, 1110, 1210
5pcs - 1310, 1410

For magnet installation,
please refer to the required number
of clips in the product catalog.

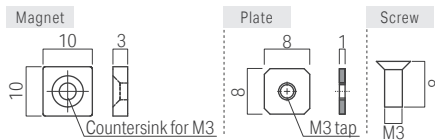


3 Magnet Set L



Model No : MG-L
10 sets/bag
Required 2 pcs per Mounting clip A

Used for installing light fixture with 1 Mounting clip A on metal plate.
Metal plate is required by installer.

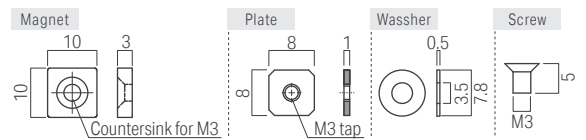


4 Magnet Set A



Model No : MG-A
5 sets/bag
Required 2 pcs per Outer clip

Used for installing light fixture with 2 Outer clip for Creide on metal plate.
Metal plate is required by installer.

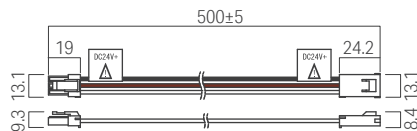


5 Power supply cable 500mm for THOF



Model No : CAD-0500-MDFD-I
1 pc per circuit for connecting the light fixture
to power supply or dimmer driver.

Black : +
White : 1ch- (light source color: white)
Brown : 2ch- (light source color: warm white)



Recommended No. of clips & magnets

Length	0110	0210	0310	0410	0510	0610	0710	0810	0910	1010	1110	1210	1310	1410	
Attachments															
Mounting clip A	1 pc	1 pc	2 pcs	2 pcs	2 pcs	2 pcs	2 pcs	3 pcs	3 pcs	3 pcs	3 pcs	4 pcs	4 pcs	4 pcs	Unit of order
Recommended No. of 1 Mounting clip A	1 pc	1 pc	2 pcs	2 pcs	2 pcs	2 pcs	2 pcs	3 pcs	3 pcs	3 pcs	3 pcs	4 pcs	4 pcs	4 pcs	2 pcs/bag
Extra															
1 Mounting clip A for magnet installation	0 pc	0 pc	0 pc	0 pc	1 pc	1 pc	1 pc	1 pc	1 pc	1 pc	1 pc	1 pc	1 pc	1 pc	2 pcs/bag
2 Magnet set L	2 pcs	2 pcs	4 pcs	4 pcs	6 pcs	6 pcs	6 pcs	8 pcs	8 pcs	8 pcs	8 pcs	10 pcs	10 pcs	10 pcs	10 pcs/bag
Recommended No. of 2 Outer clip	1 pc	1 pc	2 pcs	2 pcs	3 pcs	3 pcs	3 pcs	4 pcs	4 pcs	4 pcs	4 pcs	4 pcs	5 pcs	5 pcs	2 pcs/bag
2 Magnet set A	2 pcs	2 pcs	4 pcs	4 pcs	6 pcs	6 pcs	6 pcs	8 pcs	8 pcs	8 pcs	8 pcs	8 pcs	10 pcs	10 pcs	5 pcs/bag

Luci SHIN Creide® THOF

CRI and luminous flux data for each CCT combination

Light source color	Inventory	Ratio of output				CRI	10.7W/m		21.5W/m	
							lm/m	lm/W	lm/m	lm/W
D N	*	D	100%	N	0%	94	537	99.5	1117	103.5
			100%		100%	92	1070		2225	
			0%		100%	93	533		1108	
D W	*	D	100%	W	0%	94	537	98.7	1117	102.6
			100%		100%	95	1060		2205	
			0%		100%	95	523		1088	
D WW	*	D	100%	WW	0%	94	537	98.2	1117	102.1
			100%		100%	96	1056		2195	
			0%		100%	95	518		1078	
D L30	*	D	100%	L30	0%	94	537	96.9	1117	100.7
			100%		100%	94	1041		2166	
			0%		100%	96	504		1048	
D L27	○	D	100%	L27	0%	94	537	94.2	1117	98
			100%		100%	94	1013		2106	
			0%		100%	96	476		989	
D L25	*	D	100%	L25	0%	94	537	82.7	1117	86
			100%		100%	94	889		1849	
			0%		100%	96	352		732	
D L22	*	D	100%	L22	0%	94	537	80.5	1117	83.7
			100%		100%	93	865		1800	
			0%		100%	96	328		682	
D L20	○	D	100%	L20	0%	94	537	77.9	1117	81
			100%		100%	92	837		1741	
			0%		100%	95	300		623	
N W	*	N	100%	W	0%	92	533	98.2	1108	102.1
			100%		100%	95	1056		2195	
			0%		100%	93	523		1088	
N WW	*	N	100%	WW	0%	92	533	97.8	1108	101.7
			100%		100%	96	1051		2186	
			0%		100%	93	518		1078	
N L30	*	N	100%	L30	0%	92	533	96.4	1108	100.3
			100%		100%	94	1037		2156	
			0%		100%	94	504		1048	
N L27	○	N	100%	L27	0%	92	533	93.8	1108	97.5
			100%		100%	94	1008		2097	
			0%		100%	95	476		989	
N L25	*	N	100%	L25	0%	92	533	82.3	1108	85.6
			100%		100%	94	885		1839	
			0%		100%	95	352		732	
N L22	*	N	100%	L22	0%	92	533	80.1	1108	83.3
			100%		100%	93	861		1790	
			0%		100%	96	328		682	
N L20	○	N	100%	L20	0%	92	533	77.4	1108	80.5
			100%		100%	92	832		1731	
			0%		100%	97	300		623	
W WW	*	W	100%	WW	0%	95	523	96.9	1088	100.7
			100%		100%	96	1041		2166	
			0%		100%	95	518		1078	
W L30	*	W	100%	L30	0%	95	523	95.6	1088	99.4
			100%		100%	94	1027		2136	
			0%		100%	95	504		1048	
W L27	*	W	100%	L27	0%	95	523	92.9	1088	96.6
			100%		100%	94	999		2077	
			0%		100%	96	476		989	
W L25	*	W	100%	L25	0%	95	523	81.4	1088	84.6
			100%		100%	94	875		1820	
			0%		100%	96	352		732	
W L22	*	W	100%	L22	0%	95	523	79.2	1088	82.3
			100%		100%	93	851		1770	
			0%		100%	97	328		682	
W L20	*	W	100%	L20	0%	95	523	76.5	1088	79.6
			100%		100%	92	823		1711	
			0%		100%	96	300		623	

○ = Device inventory

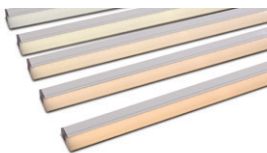
* = Please contact us since it is made-to-order products.

CRI and luminous flux data for each CCT combination

Light source color	Inventory	Ratio of output		CRI	10.7W/m		21.5W/m		
					lm/m	lm/W	lm/m	lm/W	
WW L30	*	WW	100%	L30	0%	96	518	1078	98.9
			100%		100%	94	1022	2126	
			0%		100%	95	504	1048	
WW L27	*	WW	100%	L27	0%	96	518	1078	96.1
			100%		100%	94	994	2067	
			0%		100%	95	476	989	
WW L25	*	WW	100%	L25	0%	96	518	1078	84.2
			100%		100%	94	870	1810	
			0%		100%	96	352	732	
WW L22	*	WW	100%	L22	0%	96	518	1078	81.9
			100%		100%	93	846	1760	
			0%		100%	96	328	682	
WW L20	*	WW	100%	L20	0%	96	518	1078	79.1
			100%		100%	92	818	1701	
			0%		100%	95	300	623	
L30 L27	*	L30	100%	L27	0%	94	504	1048	94.8
			100%		100%	94	980	2037	
			0%		100%	94	476	989	
L30 L25	*	L30	100%	L25	0%	94	504	1048	82.8
			100%		100%	94	856	1780	
			0%		100%	94	352	732	
L30 L22	*	L30	100%	L22	0%	94	504	1048	80.5
			100%		100%	93	832	1731	
			0%		100%	94	328	682	
L30 L20	*	L30	100%	L20	0%	94	504	1048	77.7
			100%		100%	92	804	1671	
			0%		100%	95	300	623	
L27 L25	*	L27	100%	L25	0%	94	476	989	80
			100%		100%	94	827	1721	
			0%		100%	94	352	732	
L27 L22	*	L27	100%	L22	0%	94	476	989	77.7
			100%		100%	93	804	1671	
			0%		100%	94	328	682	
L27 L20	*	L27	100%	L20	0%	94	476	989	75
			100%		100%	92	775	1612	
			0%		100%	94	300	623	
L25 L22	*	L25	100%	L22	0%	94	352	732	65.8
			100%		100%	93	680	1414	
			0%		100%	94	328	682	
L25 L20	*	L25	100%	L20	0%	94	352	732	63
			100%		100%	92	651	1355	
			0%		100%	94	300	623	
L22 L20	*	L22	100%	L20	0%	93	328	682	60.7
			100%		100%	92	628	1305	
			0%		100%	93	300	623	

○ = Device inventory
 * = Please contact us since it is made-to-order products.

Illuminance data

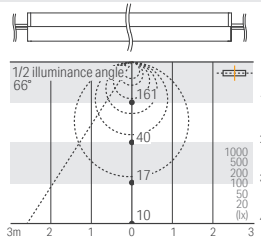
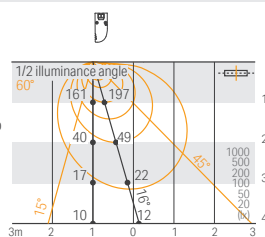


LCETHY
 Luci SHIN Creide THOF

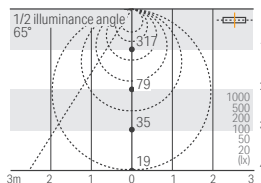
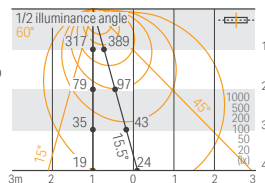
Color temperature
 6500K-2000K

Direct horizontal surface light intensity distribution chart

LCETHY-1010-NL27-DF-I-10
 Light source color 3500K equivalent
 N:100%, L27:100%
 Brightness 161 cd
 Luminous flux 1008 lm
 Color rendering index Ra 92



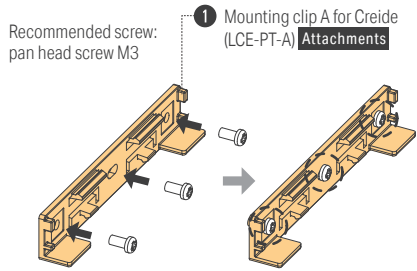
LCETHY-1010-NL27-DF-I-21
 Light source color 3500K equivalent
 N:100%, L27:100%
 Brightness 317 cd
 Luminous flux 2097 lm
 Color rendering index Ra 92



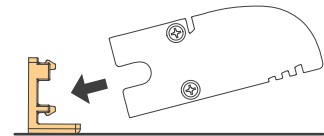
Luci SHIN Creide® THOF

Installing the product

Mounting clip A installation: behind fixing

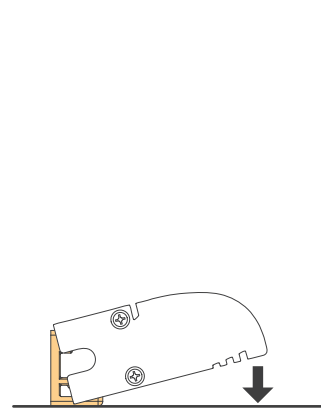


Use three screws per one Mounting clip A.



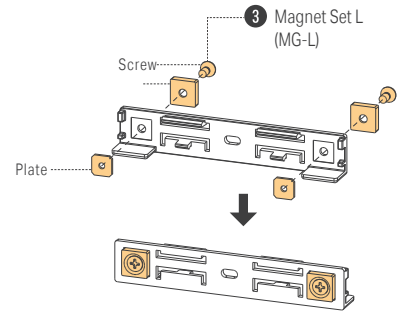
Mounting clips should be installed in the position (as shown above).

Recommend to use at least 3 pcs per meter with less than 380mm pitch.



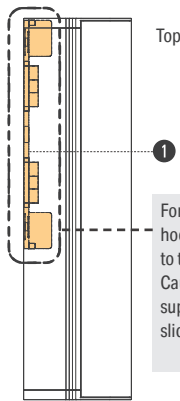
Clasp the light fixture onto the preset mounting clips (a click sound will be produced once it is tightly fastened).

Magnet installation



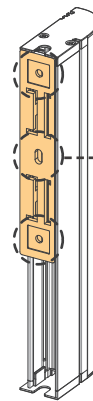
Ensure that there are no gaps in between fixture and surface

For vertical installation



For vertical installation, make sure the light fixture hook on the edge of the mounting clip in accordance to the diagram.
Caution: If the weight of the light fixture is not supported by the edge of the mounting clip, it may slide down and fall.

Recommended screw: pan head screw M3

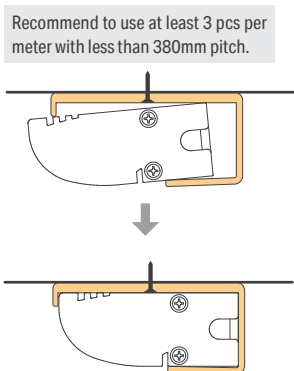
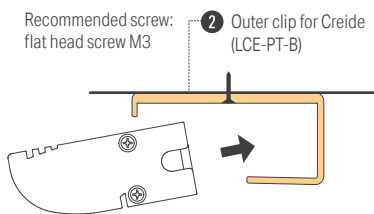


Secure 1 mounting clip with 3 screws
Caution: If using only 1 or 2 screws, the light fixture may fall since the holding force is not enough.

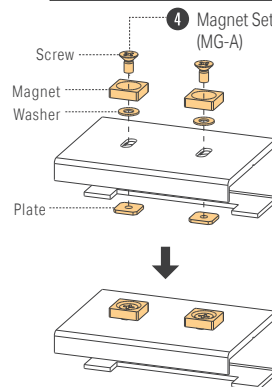
Recommended No. of clips & magnets

Length	0110	0210	0310	0410	0510	0610	0710	0810	0910	1010	1110	1210	1310	1410	
Attachment Mounting clip A	1 pc	1 pc	2 pcs	2 pcs	2 pcs	2 pcs	2 pcs	3 pcs	3 pcs	3 pcs	3 pcs	4 pcs	4 pcs	4 pcs	Unit of order
Recommended No. of 1 Mounting clip A	1 pc	1 pc	2 pcs	2 pcs	2 pcs	2 pcs	2 pcs	3 pcs	3 pcs	3 pcs	3 pcs	4 pcs	4 pcs	4 pcs	2 pcs/bag
Extra 1 Mounting clip A for magnet installation	0 pc	0 pc	0 pc	0 pc	1 pc	1 pc	1 pc	1 pc	1 pc	1 pc	1 pc	1 pc	1 pc	1 pc	2 pcs/bag
3 Magnet set L	2 pcs	2 pcs	4 pcs	4 pcs	6 pcs	6 pcs	6 pcs	8 pcs	8 pcs	8 pcs	8 pcs	10 pcs	10 pcs	10 pcs	10 pcs/bag

Outer clip installation



Magnet installation

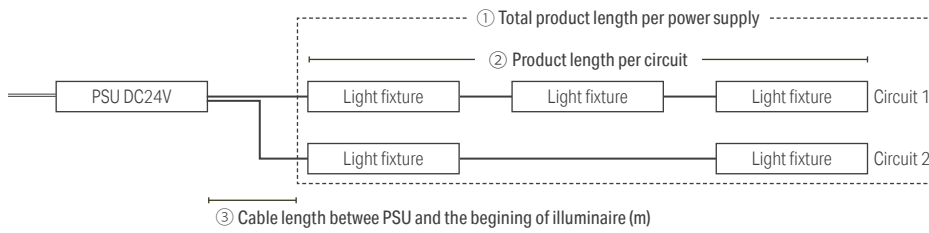


If the flat head screw is short and the plate does not tighten, please remove the washer.

Recommended No. of clips & magnets

Length	0110	0210	0310	0410	0510	0610	0710	0810	0910	1010	1110	1210	1310	1410	
Recommended No. of 2 Outer clip	1 pc	1 pc	2 pcs	2 pcs	3 pcs	3 pcs	3 pcs	4 pcs	4 pcs	4 pcs	4 pcs	4 pcs	5 pcs	5 pcs	2 pcs/bag
4 Magnet set A	2 pcs	2 pcs	4 pcs	4 pcs	6 pcs	6 pcs	6 pcs	8 pcs	8 pcs	8 pcs	8 pcs	8 pcs	10 pcs	10 pcs	5 pcs/bag

System configuration diagram



- ① Total product length per PSU depends on capacity of the PSU. Recommended loading factor is 70% (without dimming) or 60% (with dimming).
- ② Product length per circuit shall not exceed maximum product length per circuit. If the product length per circuit exceeds the maximum, split into multiple circuits.
- ③ To minimize voltage drop, select appropriate wire gauge / diameter and consider the cable length between PSU and the beginning of luminaire referring to the following table. If longer cable distances are required, use thicker wires or reduce the loading of the light fixtures in the circuit.

① Max. connectable length per PSU

Length of light fixture (70% loading factor) *: split into multiple circuits		PSU
10.7 W/m	21.5 W/m	
~3.3m	~1.6m	50W
~6.5m*	~3.3m	100W
~9.8m*	~4.9m	150W

Model No.	Wattage	Cross section	0.3 sq	0.5 sq	0.75 sq
		Wire gauze	AWG 22	AWG 20	AWG 18
		② Max length per circuit	③ Max cable length between PSU and the top of illuminaire at ② Max length per circuit		
LCETHY-**-DF-I-10	10.7 W/m	5 m	3.2 m	5.2 m	8.2 m
LCETHY-**-DF-I-21	21.5 W/m	5 m	1.5 m	2.4 m	3.8 m

Luci original dynamic white dimmer controller

PWM Light Controller for THOF (LLC-PLC-T)

2 channel mode: switching channel by pressing the knob for dimming each separately
Dim-to-warm mode: rotating knob to change CCT and brightness at the same time.



Input voltage DC12~24V
Input current Max.5A
Output current Max.5A
Size W70*H120*D42 mm
Usage environment Indoors

Use these together

Multi Controller Switch for THOF (LLC-MFC-SWC)

Switch for calling a preset scene in LLC-MFC-11 and manual slider for dimming.



Input voltage DC12~24V
Input current Max.100mA
Output current Max.5A
Size W70*H120*D40 mm
Usage environment Indoors

Multi Controller (LLC-MFC-11)



Input voltage DC12~24V
Input current
Output current 1A max/CH
Size W232.5*H124*D33.5mm
Usage environment Indoors

Luci original dynamic white dimmer driver

PWM Dimming driver 5A for THOF (LLC-PWM5A-T)

Dimmer driver for LLC-PLC-T and LLC-MFC-10 (dimming protocol: PWM)



Input voltage DC12~24V
Input current Max.5A
Output current Max.5A
Size W130*H75*D27 mm
Usage environment Indoors

0-10V dynamic white dimmer driver

2ch 0-10V dimmer driver (DIM-S2L8V-O) EUCHIPS



Input voltage DC12~24V
Output current 8A/2CH(for Brightness mode)
Totally 8A(for CCT mode)
Size W167*H51*D23mm
Usage environment Indoors

*Dimmers and controllers from other manufacturers can be used with these Light fixtures. For more information, please contact our sales.