

silux series

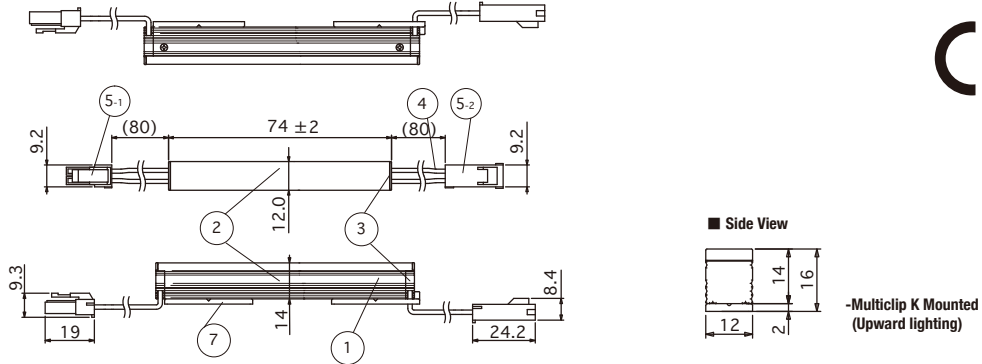
Luci silux K(13.3W/m)

Luci silux K(13.3W/m) 74

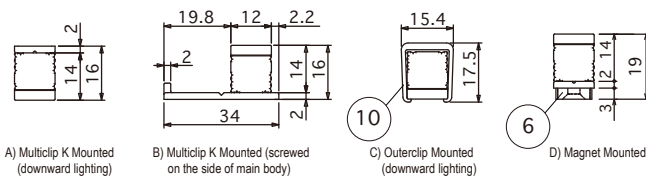


Luci Pte. Ltd.

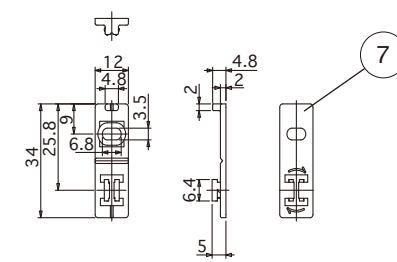
2019.12.26



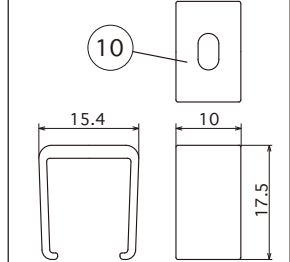
Installation Dimensions (Side View)



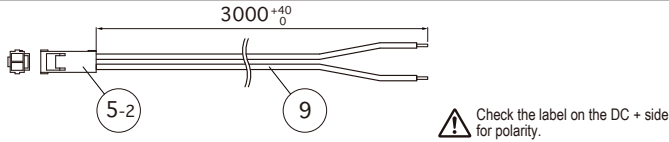
Accessories • Option parts :
Multiclip K for silux (LSX-PTM-C) (3 or 5pcs / 1bag)



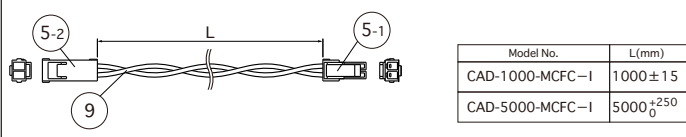
Option parts : Outerclip for silux (LSX-PT-A) (5pcs / 1bag)



Option parts :
Power supply cable 3000mm for SL connector (CAD-3000-MCNCN-I)

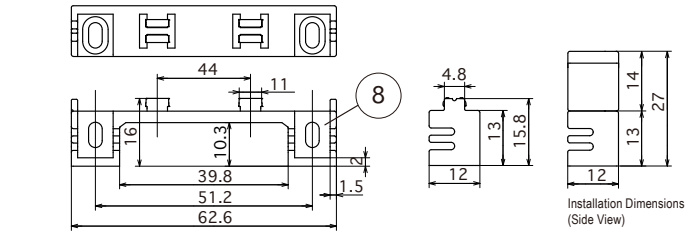


Option parts :
Joint cable 1000mm / 5000mm for SL connector (CAD-1000-MCFC-I)(CAD-5000-MCFC-I)



Model No.	L(mm)
CAD-1000-MCFC-I	1000±15
CAD-5000-MCFC-I	5000 ⁺²⁵⁰ ₀

Option parts :
Liftclip for silux (LSX-PTL) (2pcs / 1bag)



Spec · Rating may be subject to change without announcements

Unit Of Measure : mm

Part Name	Material	Note	Drawing
1 Body	Aluminum, alumite treatment	Silver	
2 Body Cover	Polycarbonate	Diffuser	
3 Side cover	Polycarbonate	Diffuser	
4 Lead wire		UL1007 AWG22, black+, white-	
5 Connector	Nylon	5-1:SLP-02V(JST) White 5-2:SLR-02VF(JST) White	
6 Magnet	Neodymium magnet	Silver	
7 Mounting Clip	Polycarbonate	Clear	
8 Mounting Clip (Lift clip)	Polycarbonate	Clear	
9 Lead wire		UL1007 AWG20	
10 Mounting Clip (Outer clip)	Polycarbonate	Clear	

Spec	Item Number
Input voltage : DC24V Weight : 15g	LSXK-0074-N-DF-I-13 LSXK-0074-W-DF-I-13 LSXK-0074-WW-DF-I-13 LSXK-0074-L30-DF-I-13 LSXK-0074-L27-DF-I-13 LSXK-0074-L24-DF-I-13
Power consumption : 0.7W Number of LEDs : 12	
Max. sets connectable : 6m	
Environment : Indoors (No Condensation)	
Operating temperature : 0°C~+35°C (No Condensation)	
Accessories : Multiclip K (3pcs / 1 bag)	
Option parts : Power supply cable 3000mm,	
Joint cable 1000mm/5000mm,	
Multiclip K (3pcs / 1 bag)	
Liftclip (2pcs / 1 bag)	
Outerclip (5pcs / 1 bag)	
Magnet attachment	
Light Source color :	
Natural white : N : 5000K (38 lm* / Ra 93)	
White : W : 4000K (38 lm* / Ra 94)	
Warm white 3500K: WW : 3500K (37 lm* / Ra 94)	
Warm white 3000K : L30 : 3000K (36 lm* / Ra 93)	
Warm white 2700K : L27 : 2700K (34 lm* / Ra 93)	
Warm white 2400K : L24 : 2400K (32 lm* / Ra 94)	
*=Equivalent	

Job/Project Name _____ Area/Location/Circuit No. _____

Product Code _____ Qty. _____ Length(mm) _____

silux series

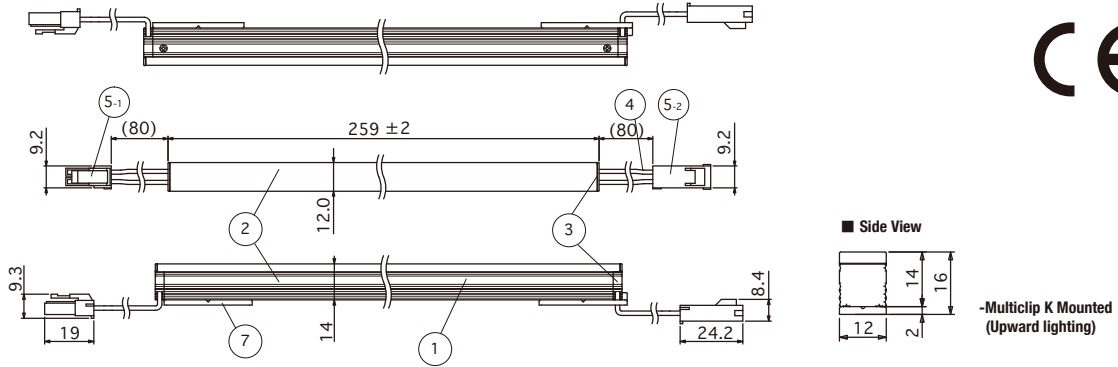
Luci silux K(13.3W/m)

Luci silux K(13.3W/m) 259

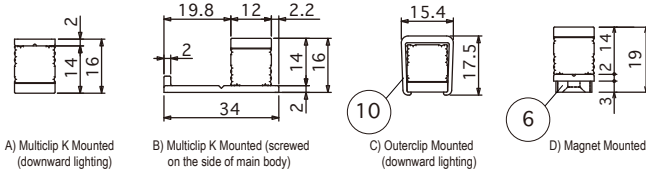


Luci Pte. Ltd.

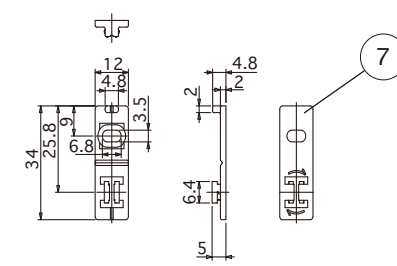
2019.12.26



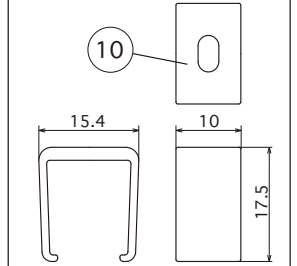
Installation Dimensions (Side View)



Accessories • Option parts :
Multiclip K for silux (LSX-PTM-C) (3 or 5pcs / 1bag)

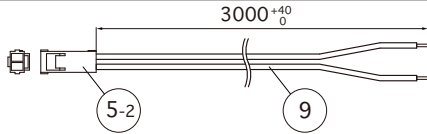


Option parts : Outerclip for silux (LSX-PT-A) (5pcs / 1bag)



Option parts :

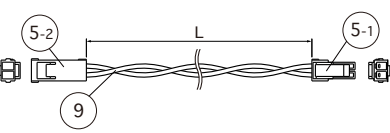
Power supply cable 3000mm for SL connector (CAD-3000-MCENN-I)



⚠ Check the label on the DC + side for polarity.

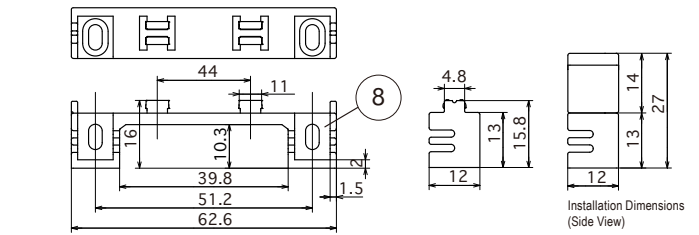
Option parts :

Joint cable 1000mm / 5000mm for SL connector (CAD-1000-MCFC-I)(CAD-5000-MCFC-I)



Model No.	L(mm)
CAD-1000-MCFC-I	1000±15
CAD-5000-MCFC-I	5000 ⁺²⁵⁰ ₀

Option parts :
Liftclip for silux (LSX-PTL) (2pcs / 1bag)



Spec · Rating may be subject to change without announcements

Unit Of Measure : mm

Part Name	Material	Note	Drawing
1 Body	Aluminum, alumite treatment	Silver	
2 Body Cover	Polycarbonate	Diffuser	
3 Side cover	Polycarbonate	Diffuser	
4 Lead wire		UL1007 AWG22, black+, white-	
5 Connector	Nylon	5-1:SLP-02V(JST) White 5-2:SLR-02VF(JST) White	
6 Magnet	Neodymium magnet	Silver	
7 Mounting Clip	Polycarbonate	Clear	
8 Mounting Clip (Lift clip)	Polycarbonate	Clear	
9 Lead wire		UL1007 AWG20	
10 Mounting Clip (Outer clip)	Polycarbonate	Clear	

Spec	Item Number
Input voltage : DC24V Weight : 40g	LSXK-0259-N-DF-I-13 LSXK-0259-W-DF-I-13 LSXK-0259-WW-DF-I-13 LSXK-0259-L30-DF-I-13 LSXK-0259-L27-DF-I-13 LSXK-0259-L24-DF-I-13
Power consumption : 3.3W Number of LEDs : 49	
Max. sets connectable : 6m	
Environment : Indoors (No Condensation)	
Operating temperature : 0°C~+35°C (No Condensation)	
Accessories : Multiclip K (3pcs / 1 bag)	
Option parts : Power supply cable 3000mm,	
Joint cable 1000mm/5000mm,	
Multiclip K (3pcs / 1 bag)	
Liftclip (2pcs / 1 bag)	
Outerclip (5pcs / 1 bag)	
Magnet attachment	
Light Source color :	
	Natural white : N : 5000K (155 lm* / Ra 93)
	White : W : 4000K (155 lm* / Ra 94)
	Warm white 3500K: WW : 3500K (148 lm* / Ra 94)
	Warm white 3000K : L30 : 3000K (145 lm* / Ra 93)
	Warm white 2700K : L27 : 2700K (138 lm / Ra 93)
	Warm white 2400K : L24 : 2400K (128 lm* / Ra 94)
	*=Equivalent

Job/Project Name	Area/Location/Circuit No.
Product Code	Qty. Length(mm)

silux series

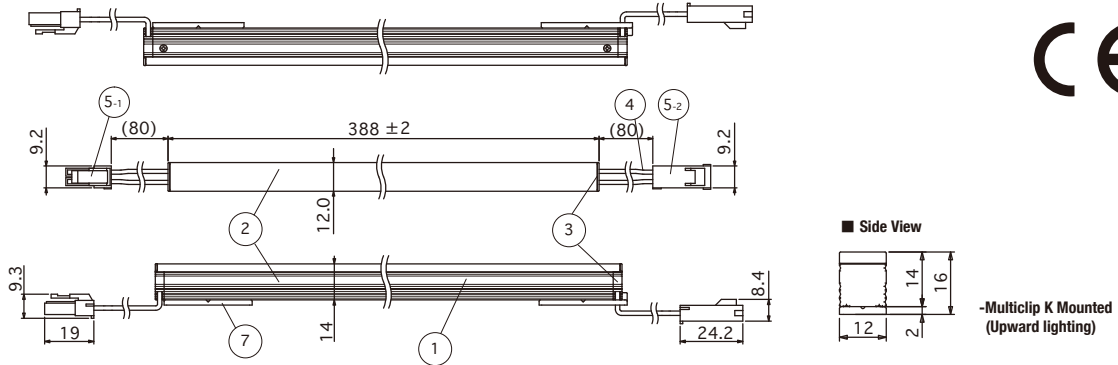
Luci silux K(13.3W/m)

Luci silux K(13.3W/m) 388

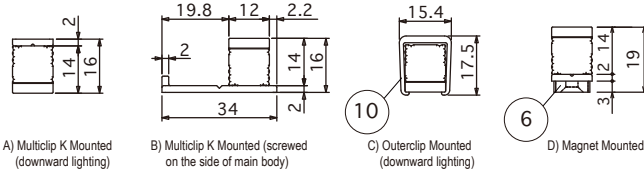


Luci Pte. Ltd.

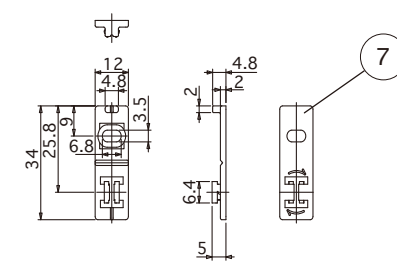
2019.12.26



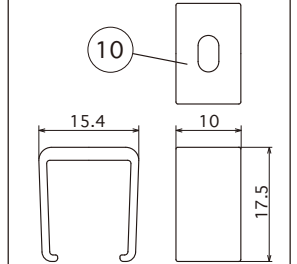
Installation Dimensions (Side View)



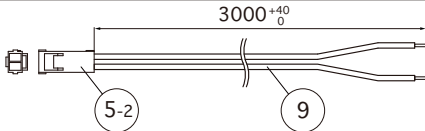
Accessories • Option parts :
Multiclip K for silux (LSX-PTM-C) (3 or 5pcs / 1bag)



Option parts : Outerclip for silux (LSX-PT-A) (5pcs / 1bag)

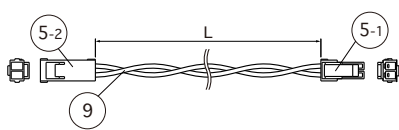


Option parts :
Power supply cable 3000mm for SL connector (CAD-3000-MCINN-I)



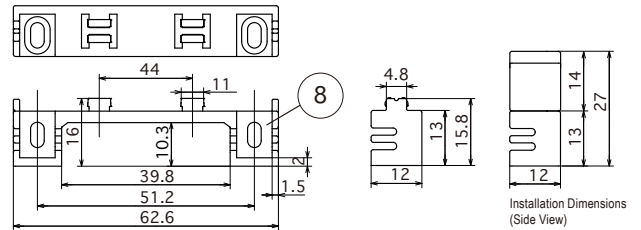
⚠ Check the label on the DC + side for polarity.

Option parts :
Joint cable 1000mm / 5000mm for SL connector (CAD-1000-MCFC-I)(CAD-5000-MCFC-I)



Model No.	L(mm)
CAD-1000-MCFC-I	1000±15
CAD-5000-MCFC-I	5000 ⁺²⁵⁰ ₀

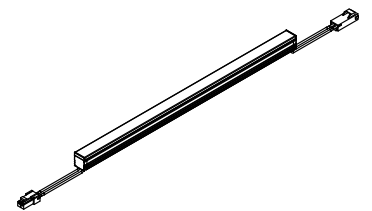
Option parts :
Liftclip for silux (LSX-PTL) (2pcs / 1bag)



Spec · Rating may be subject to change without announcements

Unit Of Measure : mm

Part Name	Material	Note
1 Body	Aluminum, alumite treatment	Silver
2 Body Cover	Polycarbonate	Diffuser
3 Side cover	Polycarbonate	Diffuser
4 Lead wire		UL1007 AWG22, black+, white-
5 Connector	Nylon	5-1:SLP-02V(JST) White 5-2:SLR-02VF(JST) White
6 Magnet	Neodymium magnet	Silver
7 Mounting Clip	Polycarbonate	Clear
8 Mounting Clip (Lift clip)	Polycarbonate	Clear
9 Lead wire		UL1007 AWG20
10 Mounting Clip (Outer clip)	Polycarbonate	Clear



Spec	Input voltage : DC24V	Weight : 59g
Power consumption : 5.2W	Number of LEDs : 77	
Max. sets connectable : 6m		
Environment : Indoors (No Condensation)		
Operating temperature : 0°C~+35°C (No Condensation)		
Accessories : Multiclip K (3pcs / 1 bag)		
Option parts : Power supply cable 3000mm,		
Joint cable 1000mm,		
Multiclip K (3pcs / 1 bag)		
Liftclip (2pcs / 1 bag)		
Outerclip (5pcs / 1 bag)		
Magnet attachment		

Light Source color :	Item Number
Natural white : N : 5000K (232 lm*/ Ra 93)	LSXF-0388-N-DF-I-13 LSXF-0388-W-DF-I-13 LSXF-0388-WW-DF-I-13 LSXF-0388-L30-DF-I-13 LSXF-0388-L27-DF-I-13 LSXF-0388-L24-DF-I-13
White : W : 4000K (232 lm*/ Ra 94)	
Warm white 3500K: WW : 3500K (222 lm*/ Ra 94)	
Warm white 3000K : L30 : 3000K (217 lm*/ Ra 93)	
Warm white 2700K : L27 : 2700K (208 lm/ Ra 93)	
Warm white 2400K : L24 : 2400K (193 lm*/ Ra 94)	
*=Equivalent	

Job/Project Name

Area/Location/Circuit No.

Product Code

Qty.

Length(mm)

Luci Pte. Ltd. <http://www.luci.co.jp/>

E-mail: info@luci.co.jp

LUCI (SHANGHAI) LIGHTING TECHNOLOGY CO., LTD.

Singapore World HQ
Tel: +65-6291-2410

Hong Kong Marketing Office
Tel: +852-2219-8462 / Fax: +852-2219-8461

Korea Office
Tel: +82-2-508-2541

Shanghai China mainland Regional HQ
Tel: +86-21-5238-9115 / Fax: +86-21-5238-8727

silux series

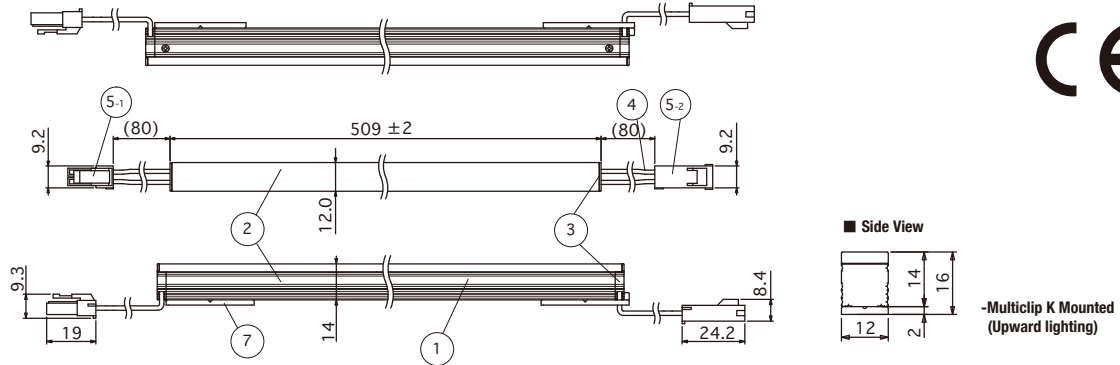
Luci silux K(13.3W/m)

Luci silux K(13.3W/m) 509

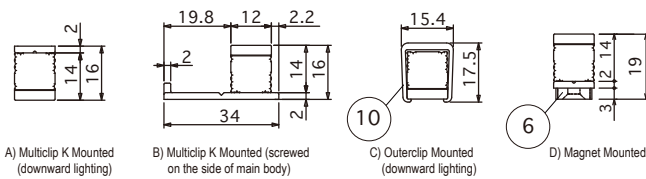


Luci Pte. Ltd.

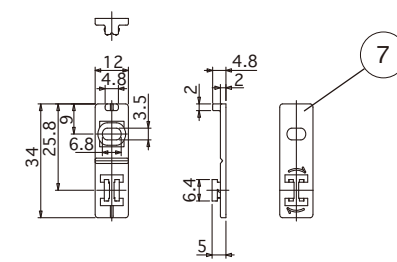
2019.12.26



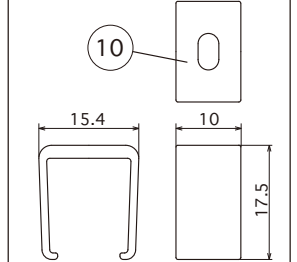
Installation Dimensions (Side View)



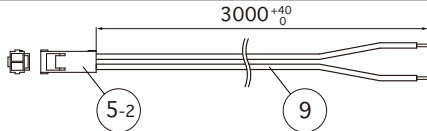
Accessories • Option parts :
 Multiclip K for silux (LSX-PTM-C) (3 or 5pcs / 1bag)



Option parts : Outerclip for silux (LSX-PT-A) (5pcs / 1bag)

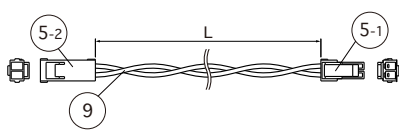


Option parts :
 Power supply cable 3000mm for SL connector (CAD-3000-MCINN-I)



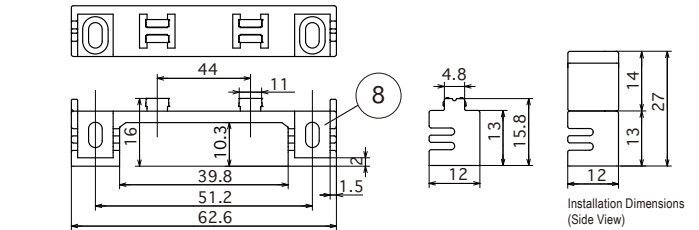
Check the label on the DC + side for polarity.

Option parts :
 Joint cable 1000mm / 5000mm for SL connector (CAD-1000-MCFC-I)(CAD-5000-MCFC-I)



Model No.	L(mm)
CAD-1000-MCFC-I	1000±15
CAD-5000-MCFC-I	5000 ⁺²⁵⁰ ₀

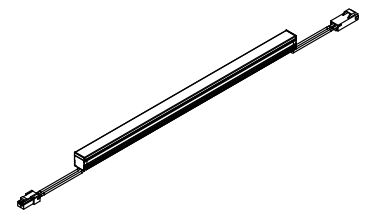
Option parts :
 Liftclip for silux (LSX-PTL) (2pcs / 1bag)



Spec · Rating may be subject to change without announcements

Unit Of Measure : mm

Part Name	Material	Note
1 Body	Aluminum, alumite treatment	Silver
2 Body Cover	Polycarbonate	Diffuser
3 Side cover	Polycarbonate	Diffuser
4 Lead wire		UL1007 AWG22, black+, white-
5 Connector	Nylon	5-1:SLP-02V(JST) White 5-2:SLR-02VF(JST) White
6 Magnet	Neodymium magnet	Silver
7 Mounting Clip	Polycarbonate	Clear
8 Mounting Clip (Lift clip)	Polycarbonate	Clear
9 Lead wire		UL1007 AWG20
10 Mounting Clip (Outer clip)	Polycarbonate	Clear



Spec	Input voltage : DC24V	Weight : 76g
	Power consumption : 6.6W	Number of LEDs : 98
	Max. sets connectable : 6m	
	Environment : Indoors (No Condensation)	
	Operating temperature : 0°C~+35°C (No Condensation)	
	Accessories : Multiclip K (3pcs / 1 bag)	
	Option parts : Power supply cable 3000mm,	
	Joint cable 1000mm/5000mm,	
	Multiclip K (3pcs / 1 bag)	
	Liftclip (2pcs / 1 bag)	
	Outerclip (5pcs / 1 bag)	
	Magnet attachment	

Light Source color :	Item Number
Natural white : N : 5000K (310 lm* / Ra 93)	LSXK-0509-N-DF-I-13
White : W : 4000K (310 lm* / Ra 94)	LSXK-0509-W-DF-I-13
Warm white 3500K: WW : 3500K (297 lm* / Ra 94)	LSXK-0509-WW-DF-I-13
Warm white 3000K: L30 : 3000K (290 lm* / Ra 93)	LSXK-0509-L30-DF-I-13
Warm white 2700K: L27 : 2700K (277 lm/ Ra 93)	LSXK-0509-L27-DF-I-13
Warm white 2400K: L24 : 2400K (257 lm* / Ra 94)	LSXK-0509-L24-DF-I-13
*=Equivalent	

Job/Project Name	Area/Location/Circuit No.
Product Code	Qty. Length(mm)

silux series

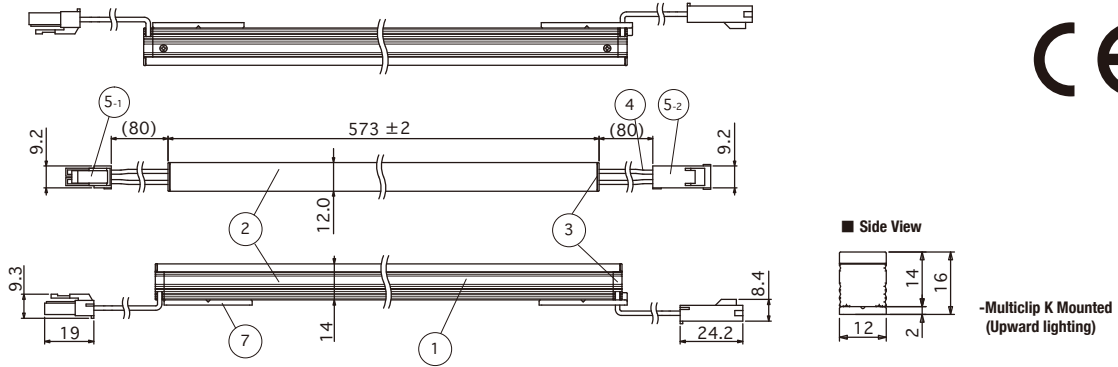
Luci silux K(13.3W/m)

Luci silux K(13.3W/m) 573

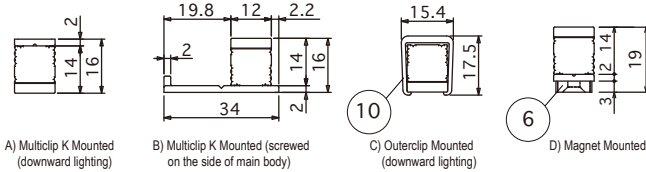


Luci Pte. Ltd.

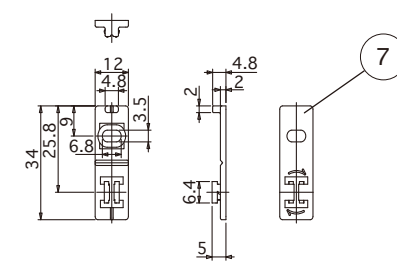
2019.12.26



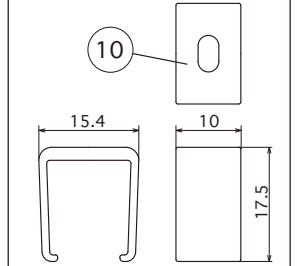
Installation Dimensions (Side View)



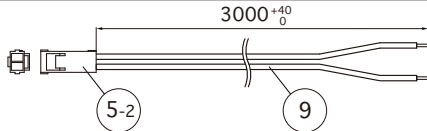
Accessories • Option parts :
Multiclip K for silux (LSX-PTM-C) (3 or 5pcs / 1bag)



Option parts : Outerclip for silux (LSX-PT-A) (5pcs / 1bag)

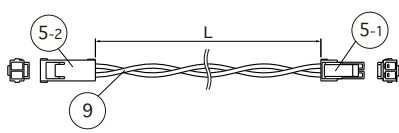


Option parts :
Power supply cable 3000mm for SL connector (CAD-3000-MCNN-I)



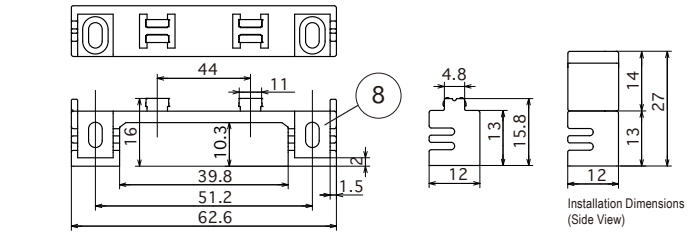
⚠ Check the label on the DC + side for polarity.

Option parts :
Joint cable 1000mm / 5000mm for SL connector (CAD-1000-MCFC-I)(CAD-5000-MCFC-I)



Model No.	L(mm)
CAD-1000-MCFC-I	1000±15
CAD-5000-MCFC-I	5000 ⁺²⁵⁰ ₀

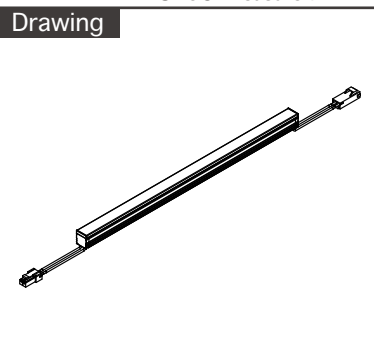
Option parts :
Liftclip for silux (LSX-PTL) (2pcs / 1bag)



Spec • Rating may be subject to change without announcements

Unit Of Measure : mm

Part Name	Material	Note
1 Body	Aluminum, alumite treatment	Silver
2 Body Cover	Polycarbonate	Diffuser
3 Side cover	Polycarbonate	Diffuser
4 Lead wire		UL1007 AWG22, black+, white-
5 Connector	Nylon	5-1:SLP-02V(JST) White 5-2:SLR-02VF(JST) White
6 Magnet	Neodymium magnet	Silver
7 Mounting Clip	Polycarbonate	Clear
8 Mounting Clip (Lift clip)	Polycarbonate	Clear
9 Lead wire		UL1007 AWG20
10 Mounting Clip (Outer clip)	Polycarbonate	Clear



Spec	Input voltage : DC24V	Weight : 84g
Power consumption : 7.6W	Number of LEDs : 112	
Max. sets connectable : 6m		
Environment : Indoors (No Condensation)		
Operating temperature : 0°C~+35°C (No Condensation)		
Accessories : Multiclip K (3pcs / 1 bag)		
Option parts : Power supply cable 3000mm,		
Joint cable 1000mm/5000mm,		
Multiclip K (3pcs / 1 bag)		
Liftclip (2pcs / 1 bag)		
Outerclip (5pcs / 1 bag)		
Magnet attachment		

Light Source color :	Item Number
Natural white : N : 5000K (349 lm*/ Ra 93)	LSXK-0573-N-DF-I-13 LSXK-0573-W-DF-I-13 LSXK-0573-WW-DF-I-13 LSXK-0573-L30-DF-I-13 LSXK-0573-L27-DF-I-13 LSXK-0573-L24-DF-I-13
White : W : 4000K (349 lm*/ Ra 94)	
Warm white 3500K: WW : 3500K (334 lm*/ Ra 94)	
Warm white 3000K : L30 : 3000K (326 lm*/ Ra 93)	
Warm white 2700K : L27 : 2700K (312 lm/ Ra 93)	
Warm white 2400K : L24 : 2400K (289 lm*/ Ra 93)	
*=Equivalent	

Job/Project Name	Area/Location/Circuit No.
Product Code	Qty. Length(mm)

silux series

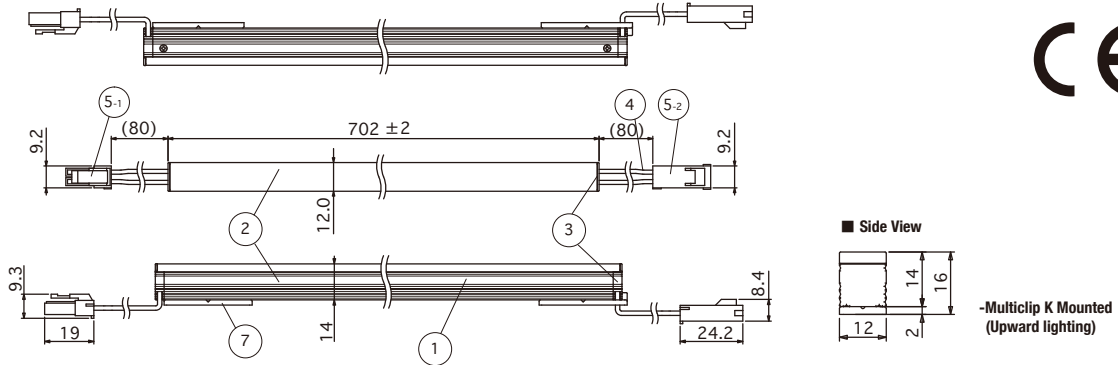
Luci silux K(13.3W/m)

Luci silux K(13.3W/m) 702

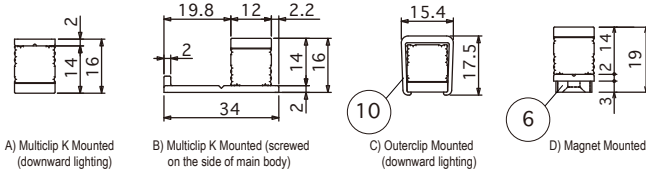


Luci Pte. Ltd.

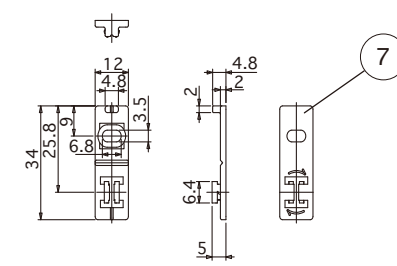
2019.12.26



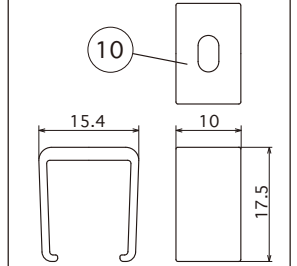
Installation Dimensions (Side View)



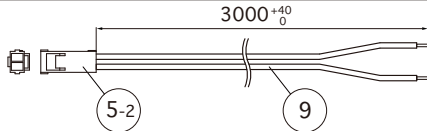
Accessories • Option parts :
 Multiclip K for silux (LSX-PTM-C) (3 or 5pcs / 1bag)



Option parts : Outerclip for silux (LSX-PT-A) (5pcs / 1bag)

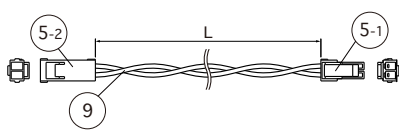


Option parts :
 Power supply cable 3000mm for SL connector (CAD-3000-MCINN-I)



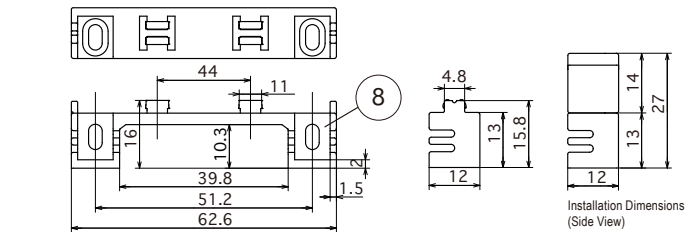
⚠ Check the label on the DC + side for polarity.

Option parts :
 Joint cable 1000mm / 5000mm for SL connector (CAD-1000-MCFC-I)(CAD-5000-MCFC-I)



Model No.	L(mm)
CAD-1000-MCFC-I	1000±15
CAD-5000-MCFC-I	5000 ⁺²⁵⁰ ₀

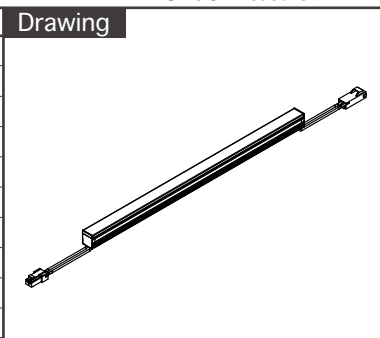
Option parts :
 Liftclip for silux (LSX-PTL) (2pcs / 1bag)



Spec · Rating may be subject to change without announcements

Unit Of Measure : mm

Part Name	Material	Note
1 Body	Aluminum, alumite treatment	Silver
2 Body Cover	Polycarbonate	Diffuser
3 Side cover	Polycarbonate	Diffuser
4 Lead wire		UL1007 AWG22, black+, white-
5 Connector	Nylon	5-1:SLP-02V(JST) White 5-2:SLR-02VF(JST) White
6 Magnet	Neodymium magnet	Silver
7 Mounting Clip	Polycarbonate	Clear
8 Mounting Clip (Lift clip)	Polycarbonate	Clear
9 Lead wire		UL1007 AWG20
10 Mounting Clip (Outer clip)	Polycarbonate	Clear



Spec	Input voltage : DC24V	Weight : 110g
Power consumption : 9.5W	Number of LEDs : 140	
Max. sets connectable : 6m		
Environment : Indoors (No Condensation)		
Operating temperature : 0°C~+35°C (No Condensation)		
Accessories : Multiclip K (3pcs / 1 bag)		
Option parts : Power supply cable 3000mm,		
Joint cable 1000mm/5000mm,		
Multiclip K (3pcs / 1 bag)		
Liftclip (2pcs / 1 bag)		
Outerclip (5pcs / 1 bag)		
Magnet attachment		

Light Source color :	Item Number
Natural white : N : 5000K (426 lm* / Ra 93)	LSXK-0702-N-DF-I-13 LSXK-0702-W-DF-I-13 LSXK-0702-WW-DF-I-13 LSXK-0702-L30-DF-I-13 LSXK-0702-L27-DF-I-13 LSXK-0702-L24-DF-I-13
White : W : 4000K (426 lm* / Ra 94)	
Warm white 3500K: WW : 3500K (408 lm* / Ra 94)	
Warm white 3000K : L30 : 3000K (399 lm* / Ra 93)	
Warm white 2700K : L27 : 2700K (381 lm / Ra 93)	
Warm white 2400K : L24 : 2400K (354 lm* / Ra 94)	
*=Equivalent	

Job/Project Name

Area/Location/Circuit No.

Product Code

Qty.

Length(mm)

Luci Pte. Ltd. <http://www.luci.co.jp/>

E-mail: info@luci.co.jp

LUCI (SHANGHAI) LIGHTING TECHNOLOGY CO., LTD.

Singapore World HQ
Tel: +65-6291-2410

Hong Kong Marketing Office
Tel: +852-2219-8462 / Fax: +852-2219-8461

Korea Office
Tel: +82-2-508-2541

Shanghai China mainland Regional HQ
Tel: +86-21-5238-9115 / Fax: +86-21-5238-8727

silux series

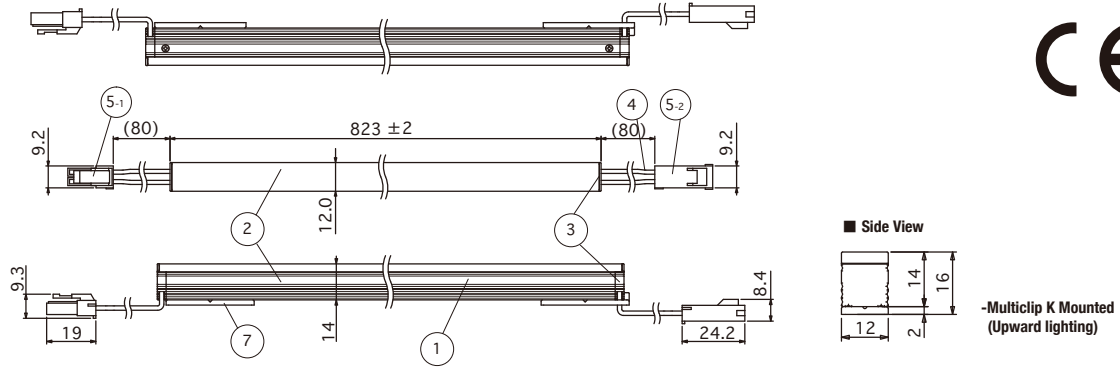
Luci silux K(13.3W/m)

Luci silux K(13.3W/m) 823

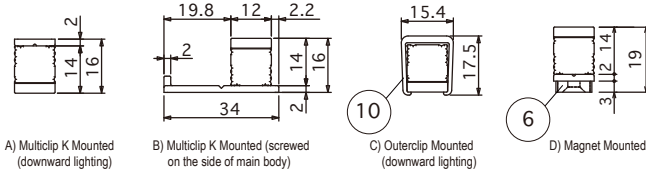


Luci Pte. Ltd.

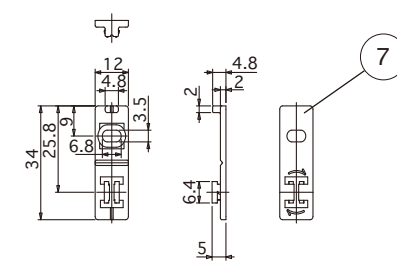
2019.12.26



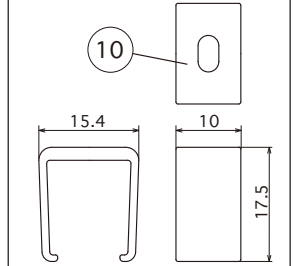
Installation Dimensions (Side View)



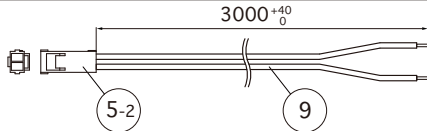
Accessories • Option parts :
Multiclip K for silux (LSX-PTM-C) (3 or 5pcs / 1bag)



Option parts : Outerclip for silux (LSX-PT-A) (5pcs / 1bag)

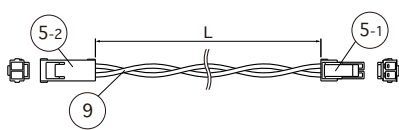


Option parts :
Power supply cable 3000mm for SL connector (CAD-3000-MCINN-I)



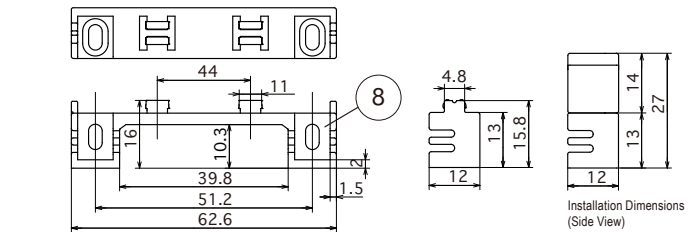
⚠ Check the label on the DC + side for polarity.

Option parts :
Joint cable 1000mm / 5000mm for SL connector (CAD-1000-MCFC-I)(CAD-5000-MCFC-I)



Model No.	L(mm)
CAD-1000-MCFC-I	1000±15
CAD-5000-MCFC-I	5000 ⁺²⁵⁰ ₀

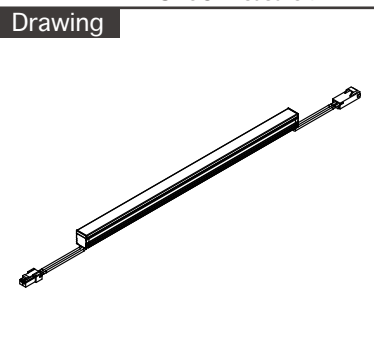
Option parts :
Liftclip for silux (LSX-PTL) (2pcs / 1bag)



Spec • Rating may be subject to change without announcements

Unit Of Measure : mm

Part Name	Material	Note
1 Body	Aluminum, alumite treatment	Silver
2 Body Cover	Polycarbonate	Diffuser
3 Side cover	Polycarbonate	Diffuser
4 Lead wire		UL1007 AWG22, black+, white-
5 Connector	Nylon	5-1:SLP-02V(JST) White 5-2:SLR-02VF(JST) White
6 Magnet	Neodymium magnet	Silver
7 Mounting Clip	Polycarbonate	Clear
8 Mounting Clip (Lift clip)	Polycarbonate	Clear
9 Lead wire		UL1007 AWG20
10 Mounting Clip (Outer clip)	Polycarbonate	Clear



Spec	Input voltage : DC24V	Weight : 120g
Power consumption : 10.9W	Number of LEDs: 161	
Max. sets connectable : 6m		
Environment : Indoors (No Condensation)		
Operating temperature : 0°C~+35°C (No Condensation)		
Accessories : Multiclip K (5pcs / 1 bag)		
Option parts : Power supply cable 3000mm,		
Joint cable 1000mm/5000mm,		
Multiclip K (3pcs / 1 bag)		
Liftclip (2pcs / 1 bag)		
Outerclip (5pcs / 1 bag)		
Magnet attachment		

Light Source color :	Item Number
Natural white : N : 5000K (504 lm* / Ra 93)	LSXK-0823-N-DF-I-13 LSXK-0823-W-DF-I-13 LSXK-0823-WW-DF-I-13 LSXK-0823-L30-DF-I-13 LSXK-0823-L27-DF-I-13 LSXK-0823-L24-DF-I-13
White : W : 4000K (504 lm* / Ra 94)	
Warm white 3500K: WW : 3500K (482 lm* / Ra 94)	
Warm white 3000K : L30 : 3000K (472 lm* / Ra 93)	
Warm white 2700K : L27 : 2700K (450 lm / Ra 93)	
Warm white 2400K : L24 : 2400K (418 lm* / Ra 94)	
*=Equivalent	

Job/Project Name	Area/Location/Circuit No.
Product Code	Qty. Length(mm)

silux series

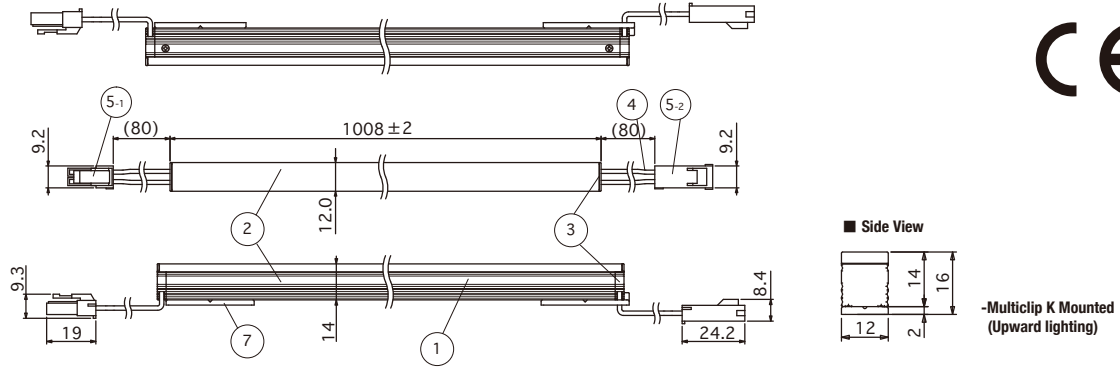
Luci silux K(13.3W/m)

Luci silux K(13.3W/m) 1008

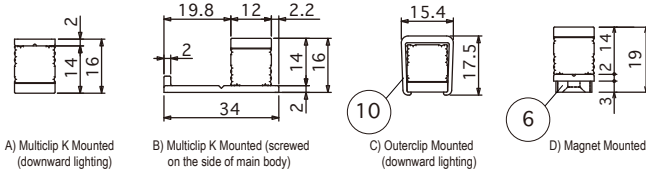


Luci Pte. Ltd.

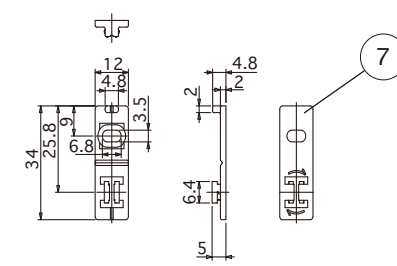
2019.12.26



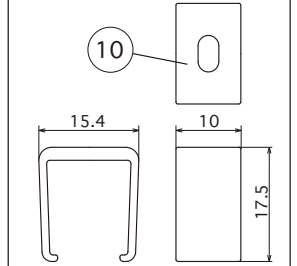
Installation Dimensions (Side View)



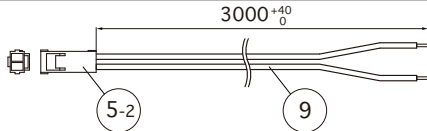
Accessories • Option parts :
Multiclip K for silux (LSX-PTM-C) (3 or 5pcs / 1bag)



Option parts : Outerclip for silux (LSX-PT-A) (5pcs / 1bag)

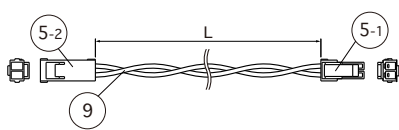


Option parts :
Power supply cable 3000mm for SL connector (CAD-3000-MCENN-I)



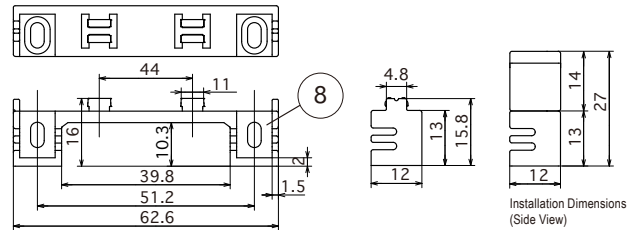
⚠ Check the label on the DC + side for polarity.

Option parts :
Joint cable 1000mm / 5000mm for SL connector (CAD-1000-MCFC-I)(CAD-5000-MCFC-I)



Model No.	L(mm)
CAD-1000-MCFC-I	1000±15
CAD-5000-MCFC-I	5000 ⁺²⁵⁰ ₀

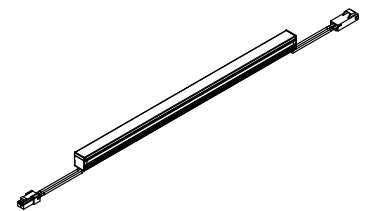
Option parts :
Liftclip for silux (LSX-PTL) (2pcs / 1bag)



Spec · Rating may be subject to change without announcements

Unit Of Measure : mm

Part Name	Material	Note
1 Body	Aluminum, alumite treatment	Silver
2 Body Cover	Polycarbonate	Diffuser
3 Side cover	Polycarbonate	Diffuser
4 Lead wire		UL1007 AWG22, black+, white-
5 Connector	Nylon	5-1:SLP-02V(JST) White 5-2:SLR-02VF(JST) White
6 Magnet	Neodymium magnet	Silver
7 Mounting Clip	Polycarbonate	Clear
8 Mounting Clip (Lift clip)	Polycarbonate	Clear
9 Lead wire		UL1007 AWG20
10 Mounting Clip (Outer clip)	Polycarbonate	Clear



Spec	Input voltage : DC24V	Weight : 145g
Power consumption : 13.3W	Number of LEDs : 196	
Max. sets connectable : 6m		
Environment : Indoors (No Condensation)		
Operating temperature : 0°C~+35°C (No Condensation)		
Accessories : Multiclip K (5pcs / 1 bag)		
Option parts : Power supply cable 3000mm,		
Joint cable 1000mm/5000mm,		
Multiclip K (3pcs / 1 bag)		
Liftclip (2pcs / 1 bag)		
Outerclip (5pcs / 1 bag)		
Magnet attachment		

Light Source color :	Item Number
Natural white : N : 5000K (620 lm* / Ra 93)	LSXK-1008-N-DF-I-13
White : W : 4000K (620 lm* / Ra 94)	LSXK-1008-W-DF-I-13
Warm white 3500K: WW : 3500K (594 lm* / Ra 94)	LSXK-1008-WW-DF-I-13
Warm white 3000K : L30 : 3000K (581 lm* / Ra 93)	LSXK-1008-L30-DF-I-13
Warm white 2700K : L27 : 2700K (554 lm / Ra 93)	LSXK-1008-L27-DF-I-13
Warm white 2400K : L24 : 2400K (515 lm* / Ra 94)	LSXK-1008-L24-DF-I-13
*=Equivalent	

Job/Project Name	Area/Location/Circuit No.
Product Code	Qty. Length(mm)

silux series

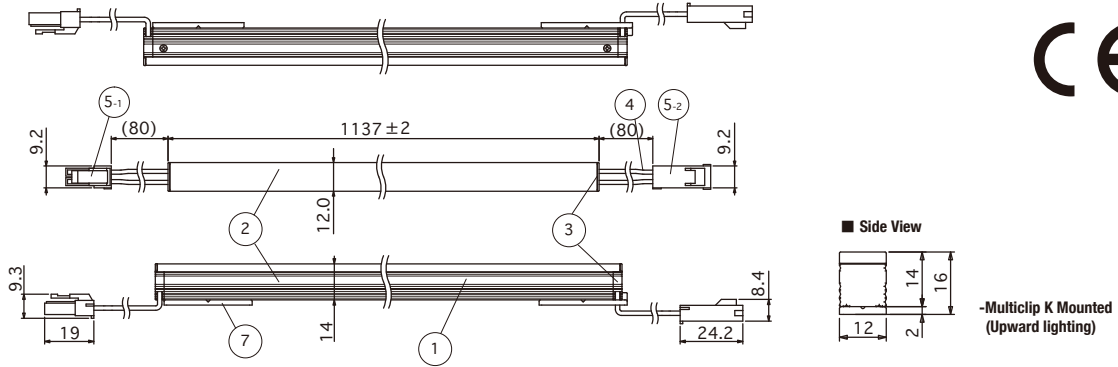
Luci silux K(13.3W/m)

Luci silux K(13.3W/m) 1137

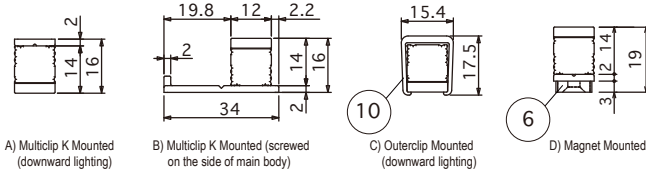


Luci Pte. Ltd.

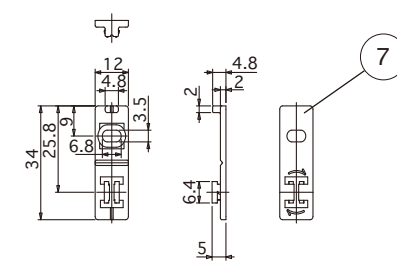
2019.12.26



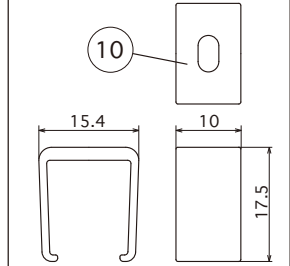
Installation Dimensions (Side View)



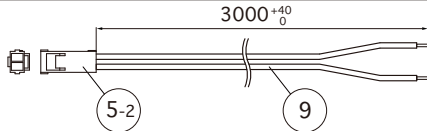
Accessories • Option parts :
Multiclip K for silux (LSX-PTM-C) (3 or 5pcs / 1bag)



Option parts : Outerclip for silux (LSX-PT-A) (5pcs / 1bag)

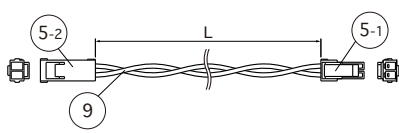


Option parts :
Power supply cable 3000mm for SL connector (CAD-3000-MCENN-I)



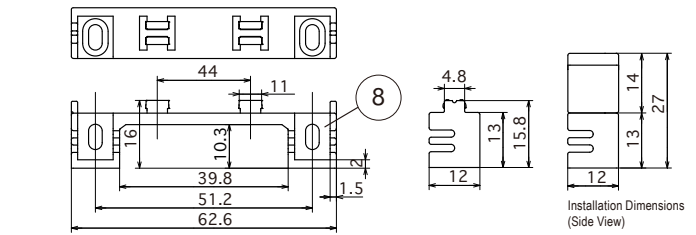
⚠ Check the label on the DC + side for polarity.

Option parts :
Joint cable 1000mm / 5000mm for SL connector (CAD-1000-MCFC-I)(CAD-5000-MCFC-I)



Model No.	L(mm)
CAD-1000-MCFC-I	1000 ± 15
CAD-5000-MCFC-I	5000 ⁺²⁵⁰ / ₀

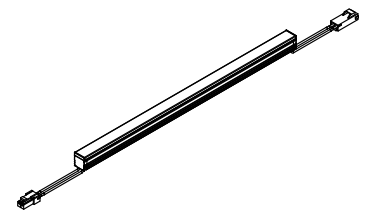
Option parts :
Liftclip for silux (LSX-PTL) (2pcs / 1bag)



Spec · Rating may be subject to change without announcements

Unit Of Measure : mm

Part Name	Material	Note
1 Body	Aluminum, alumite treatment	Silver
2 Body Cover	Polycarbonate	Diffuser
3 Side cover	Polycarbonate	Diffuser
4 Lead wire		UL1007 AWG22, black+, white-
5 Connector	Nylon	5-1:SLP-02V(JST) White 5-2:SLR-02VF(JST) White
6 Magnet	Neodymium magnet	Silver
7 Mounting Clip	Polycarbonate	Clear
8 Mounting Clip (Lift clip)	Polycarbonate	Clear
9 Lead wire		UL1007 AWG20
10 Mounting Clip (Outer clip)	Polycarbonate	Clear



Spec	Input voltage : DC24V	Weight : 160g
Power consumption : 15.2W	Number of LEDs : 224	
Max. sets connectable : 6m		
Environment : Indoors (No Condensation)		
Operating temperature : 0°C ~ +35°C (No Condensation)		
Accessories : Multiclip K (5pcs / 1 bag)		
Option parts : Power supply cable 3000mm,		
Joint cable 1000mm/5000mm,		
Multiclip K (3pcs / 1 bag)		
Liftclip (2pcs / 1 bag)		
Outerclip (5pcs / 1 bag)		
Magnet attachment		

Light Source color :	Item Number
Natural white : N : 5000K (698 lm* / Ra 93)	LSXK-1137-N-DF-I-13
White : W : 4000K (698 lm* / Ra 94)	LSXK-1137-W-DF-I-13
Warm white 3500K: WW : 3500K (668 lm* / Ra 94)	LSXK-1137-WW-DF-I-13
Warm white 3000K: L30 : 3000K (653 lm* / Ra 93)	LSXK-1137-L30-DF-I-13
Warm white 2700K: L27 : 2700K (624 lm / Ra 93)	LSXK-1137-L27-DF-I-13
Warm white 2400K: L24 : 2400K (579 lm* / Ra 94)	LSXK-1137-L24-DF-I-13
*=Equivalent	

Job/Project Name	Area/Location/Circuit No.
Product Code	Qty. Length(mm)

silux series

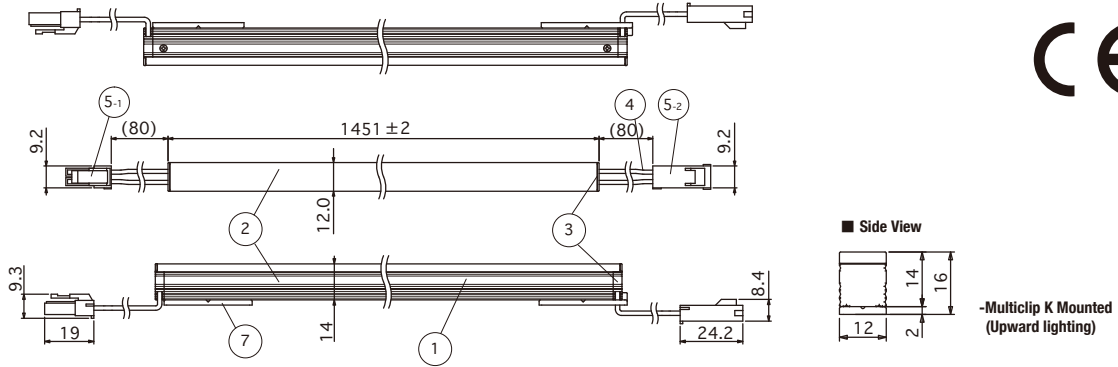
Luci silux K(13.3W/m)

Luci silux K(13.3W/m) 1451

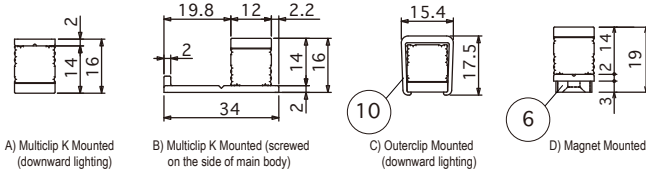


Luci Pte. Ltd.

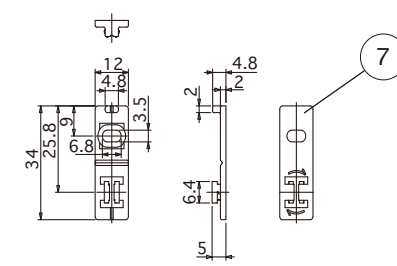
2019.12.26



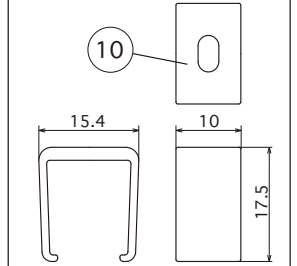
Installation Dimensions (Side View)



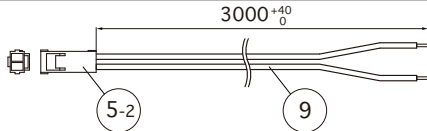
Accessories • Option parts :
Multiclip K for silux (LSX-PTM-C) (3 or 5pcs / 1bag)



Option parts : Outerclip for silux (LSX-PT-A) (5pcs / 1bag)

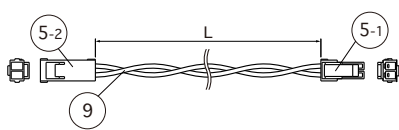


Option parts :
Power supply cable 3000mm for SL connector (CAD-3000-MCNN-I)



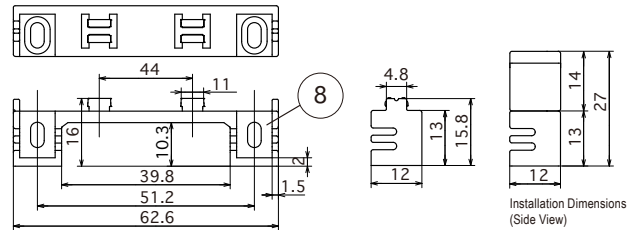
⚠ Check the label on the DC + side for polarity.

Option parts :
Joint cable 1000mm / 5000mm for SL connector (CAD-1000-MCFC-I)(CAD-5000-MCFC-I)



Model No.	L(mm)
CAD-1000-MCFC-I	1000 ± 15
CAD-5000-MCFC-I	5000 ⁺²⁵⁰ / ₀

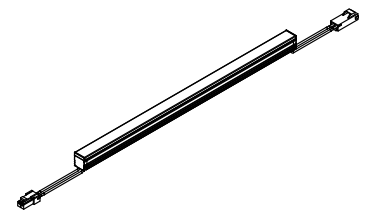
Option parts :
Liftclip for silux (LSX-PTL) (2pcs / 1bag)



Spec · Rating may be subject to change without announcements

Unit Of Measure : mm

Part Name	Material	Note
1 Body	Aluminum, alumite treatment	Silver
2 Body Cover	Polycarbonate	Diffuser
3 Side cover	Polycarbonate	Diffuser
4 Lead wire		UL1007 AWG22, black+, white-
5 Connector	Nylon	5-1:SLP-02V(JST) White 5-2:SLR-02VF(JST) White
6 Magnet	Neodymium magnet	Silver
7 Mounting Clip	Polycarbonate	Clear
8 Mounting Clip (Lift clip)	Polycarbonate	Clear
9 Lead wire		UL1007 AWG20
10 Mounting Clip (Outer clip)	Polycarbonate	Clear



Spec

Input voltage : DC24V	Weight : 206g
Power consumption : 19.5W	Number of LEDs : 287
Max. sets connectable : 6m	
Environment : Indoors (No Condensation)	
Operating temperature : 0°C ~ +35°C (No Condensation)	
Accessories : Multiclip K (5pcs / 1 bag)	
Option parts : Power supply cable 3000mm,	
Joint cable 1000mm/5000mm,	
Multiclip K (3pcs / 1 bag)	
Liftclip (2pcs / 1 bag)	
Outerclip (5pcs / 1 bag)	
Magnet attachment	

Light Source color :

Natural white	: N	: 5000K (892 lm* / Ra 93)
White	: W	: 4000K (892 lm* / Ra 94)
Warm white 3500K:	WW : 3500K	(854 lm* / Ra 94)
Warm white 3000K :	L30 : 3000K	(835 lm* / Ra 93)
Warm white 2700K :	L27 : 2700K	(797 lm / Ra 93)
Warm white 2400K :	L24 : 2400K	(740 lm* / Ra 94)
* =Equivalent		

Item Number

LSXK-1451-N-DF-I-13
 LSXK-1451-W-DF-I-13
 LSXK-1451-WW-DF-I-13
 LSXK-1451-L30-DF-I-13
 LSXK-1451-L27-DF-I-13
 LSXK-1451-L24-DF-I-13

Job/Project Name	Area/Location/Circuit No.
Product Code	Qty. Length(mm)